

## Product technical sheet

# FITNESS 1116-1



14+



< 140 kg

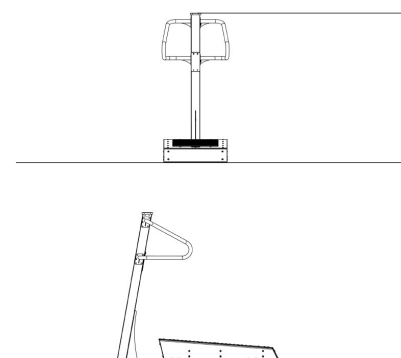
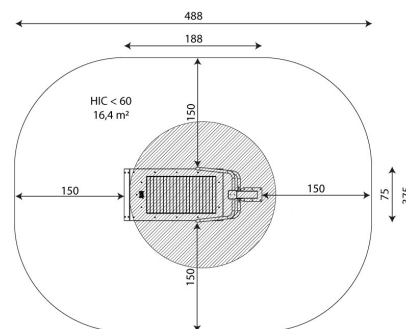
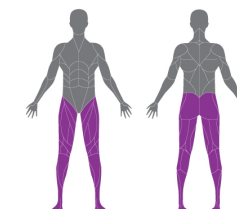
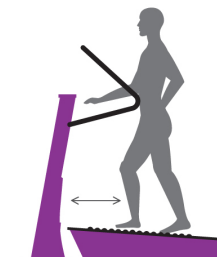


16,4 m<sup>2</sup>

### Product data

Length	188 cm
Width	75 cm
Total height	167 cm
Age group	14+ years
Maximum weight of user	140 kg
Safety zone	16,4 m <sup>2</sup>
Free fall height	<60 cm
In accordance with norm EN	116630:2015
Weight of the heaviest part	18 kg
Dimensions of the largest part	45x20x140 cm
Availability of spare parts	YES
Installation time	1,5 h
Color options	

Data is subject to change without prior notice.



Vinci Sp. z o.o.  
Seminaryjna 9 Street  
99-400 Łowicz

VAT: 534-265-18-84  
PHONE: +48 42 203 24 99 ext. 26  
M: +48 793 404 991

25/05/2026

fitness

biuro@vinci-play.com  
info@vinci-play.com  
www.vinci-play.com

1 / 3

## Material specification



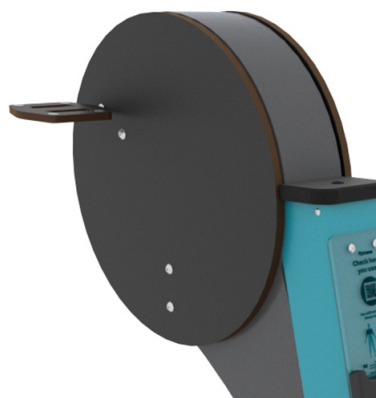
Powder galvanized and powder-coated or stainless steel construction of 100 x 100 mm profile, durable end caps on the top of the structure made of plastic,



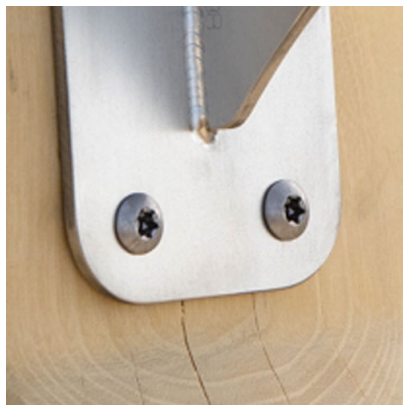
Polycarbonate exercise instructions information plate and phone holder made of durable HDPE plate, resistant to weather conditions,



Powder galvanized and powder coated steel or stainless steel bars,



Moving elements based on a bearing mechanism and a durable braking system - enclosed in a casing that does not require periodic lubrication and maintenance with an HPL plate installed, which ensures the long life of the device,



Stainless steel screws and/or screws covered with plastic caps,

## Additional information

- equipment adapted for the disabled; device intended for public outdoor gyms;
- equipment has a certificate issued by an accredited entity or a declaration of conformity;
- no sharp edges or chinks that would pose a danger of jamming the head, fingers or any other body parts;
- anchoring on flat surface, 80/70 cm deep;
- render is for reference only, the actual appearance of the equipment and its color may vary;

## Guarantee

**30**

30 year guarantee - Durability of steel and stainless steel structural elements

**15**

15 year guarantee - Durability of steel and stainless steel structures of mobile devices; durability of Robinia wood structural elements

**10**

10 year guarantee - Structural strength of HDPE, 100% recycled HDPE and HPL elements; structural elements made of 100% recycled material (composite)

**5**

5 year guarantee - Corrosion resistance of stainless steel and hot-dip galvanized and powder-coated steel elements, resistance to bark beetles and rotting of wooden structural elements

Detailed information in the guarantee card

Vinci Sp. z o.o.  
Seminaryjna 9 Street  
99-400 Łowicz

VAT: 534-265-18-84  
PHONE: +48 42 203 24 99 ext. 26  
M: +48 793 404 991

**fitness**

biuro@vinci-play.com  
info@vinci-play.com  
[www.vinci-play.com](http://www.vinci-play.com)

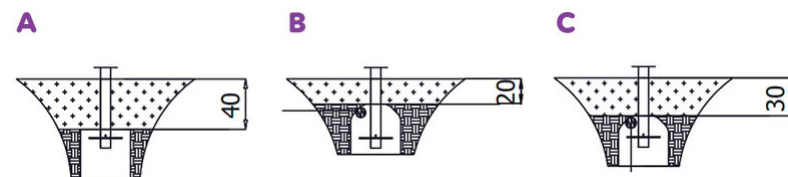
## Amount of safe surface corresponding with free fall height:

HIC <60 16,4 m<sup>2</sup>

Data is subject to change without prior notice.

## Surfaces according to EN 116630:2015

	Description (mm)	Layer thickness (cm)	Maximum fall height (cm)
Concrete / stone / bituminous surfaces (A, B, C)	-	-	≤100
outer soil layer (A,B,C)	-	-	≤120
Turf (A,B,C)	-	-	≤150
bark (A,C)	Particle size from 20 to 80	30	≤200
		40	≤300
wood shavings/cuttings (A, C)	Particle size from 5 to 30	30	≤200
		40	≤300
sand (A,C)	Particle size from 0,2 to 2 mm	30	≤200
		40	≤300
gravel (A,C)	Particle size from 2 to 8	30	≤200
		40	≤300
attested synthetic (A, B, C)	Tested according to EN 1177		60



Vinci Sp. z o.o.  
Seminaryjna 9 Street  
99-400 Łowicz

VAT: 534-265-18-84  
PHONE: +48 42 203 24 99 ext. 26  
M: +48 793 404 991

**fitness**

biuro@vinci-play.com  
info@vinci-play.com  
www.vinci-play.com