

Product technical sheet

FITNESS 1121



14+



< 140 kg

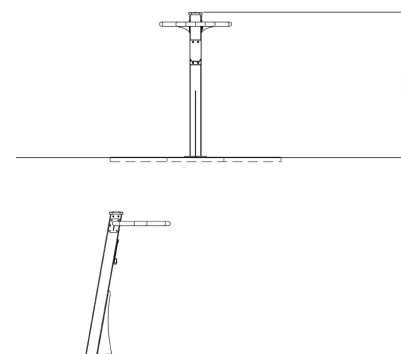
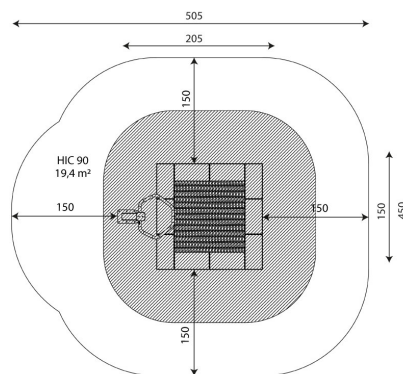
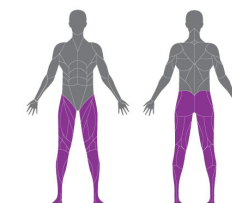
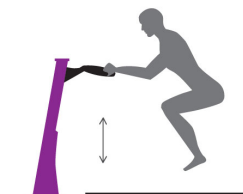


19,4 m²

Product data

| | |
|--------------------------------|---------------------|
| Length | 205 cm |
| Width | 150 cm |
| Total height | 130 cm |
| Age group | 14+ years |
| Maximum weight of user | 140 kg |
| Safety zone | 19,4 m ² |
| Free fall height | 90 cm |
| In accordance with norm EN | 16630:2015 |
| Weight of the heaviest part | 155 kg |
| Dimensions of the largest part | 150x150x36 cm |
| Availability of spare parts | YES |
| Installation time | 2 h |
| Color options | |

Data is subject to change without prior notice.



Vinci Sp. z o.o.
Seminaryjna 9 Street
99-400 Łowicz

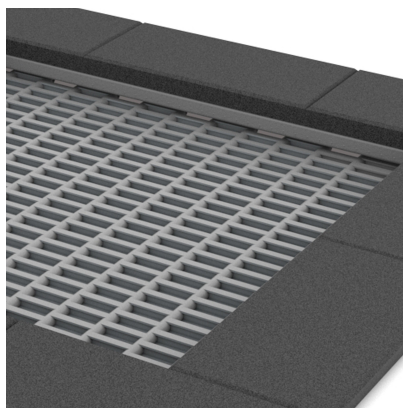
VAT: 534-265-18-84
PHONE: +48 42 203 24 99 ext. 26
M: +48 793 404 991

03/04/2025

Material specification



Powder galvanized and powder-coated construction of 100 x 100 mm profile, durable end caps on the top of the structure made of plastic,



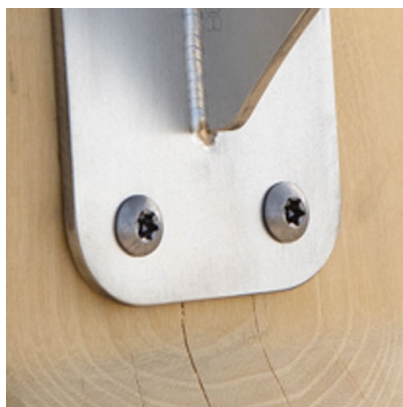
The construction made of hot-dip galvanized steel. Jumping mat made of polypropylene lamellas and stainless steel ropes. Mat mounting on durable galvanized springs. The edges covered with SBR rubber edging or without edging.



Polycarbonate exercise instructions information plate and phone holder made of durable HDPE plate, resistant to weather conditions,



Powder galvanized and powder coated steel or stainless steel bars,



Stainless steel screws and/or screws covered with plastic caps,

Additional information

- equipment adapted for the disabled; device intended for public outdoor gyms;
- equipment has a certificate issued by an accredited entity or a declaration of conformity;
- no sharp edges or chinks that would pose a danger of jamming the head, fingers or any other body parts;
- anchoring on flat surface, 80/70/60 cm deep;
- render is for reference only, the actual appearance of the equipment and its color may vary;

Guarantee

- 30** 30 year guarantee - Durability of steel and stainless steel structural elements
- 15** 15 year guarantee - Durability of steel and stainless steel structures of mobile devices; durability of Robinia wood structural elements
- 10** 10 year guarantee - Structural strength of HDPE, 100% recycled HDPE and HPL elements; structural elements made of 100% recycled material (composite)
- 5** 5 year guarantee - Corrosion resistance of stainless steel and hot-dip galvanized and powder-coated steel elements, resistance to bark beetles and rotting of wooden structural elements

Detailed information in the guarantee card

Vinci Sp. z o.o.
Seminarna 9 Street
99-400 Łowicz

VAT: 534-265-18-84
PHONE: +48 42 203 24 99 ext. 26
M: +48 793 404 991

fitness

biuro@vinci-play.com
info@vinci-play.com
www.vinci-play.com

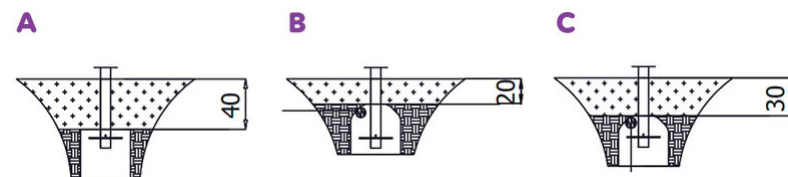
Amount of safe surface corresponding with free fall height:

HIC 90 19,4 m²

Data is subject to change without prior notice.

Surfaces according to EN 16630:2015

| | Description (mm) | Layer thickness (cm) | Maximum fall height (cm) |
|--|--------------------------------|----------------------|--------------------------|
| Concrete / stone / bituminous surfaces (A, B, C) | - | - | ≤100 |
| outer soil layer (A,B,C) | - | - | ≤120 |
| Turf (A,B,C) | - | - | ≤150 |
| bark (A,C) | Particle size from 20 to 80 | 30 | ≤200 |
| | | 40 | ≤300 |
| wood shavings/cuttings (A, C) | Particle size from 5 to 30 | 30 | ≤200 |
| | | 40 | ≤300 |
| sand (A,C) | Particle size from 0,2 to 2 mm | 30 | ≤200 |
| | | 40 | ≤300 |
| gravel (A,C) | Particle size from 2 to 8 | 30 | ≤200 |
| | | 40 | ≤300 |
| attested synthetic (A, B, C) | Tested according to EN 1177 | | 90 |



Vinci Sp. z o.o.
Seminaryjna 9 Street
99-400 Łowicz

VAT: 534-265-18-84
PHONE: +48 42 203 24 99 ext. 26
M: +48 793 404 991

fitness

biuro@vinci-play.com
info@vinci-play.com
www.vinci-play.com