

Product technical sheet

WORKOUT PRO 2355



14+



< 140 kg



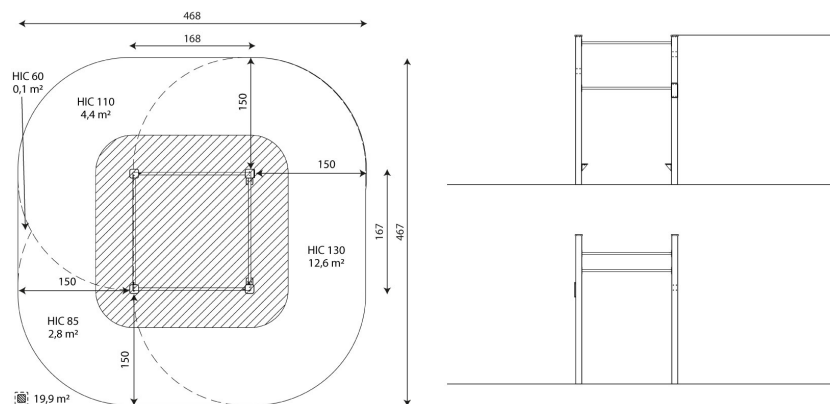
19,9 m²



Product data

Length	168 cm
Width	167 cm
Total height	241 cm
Age group	14+ years
Maximum weight of user	140 kg
Safety zone	19,9 m ²
Free fall height	130 cm
In accordance with norm EN	16630:2015
Weight of the heaviest part	24 kg
Dimensions of the largest part	340x10x10 cm
Availability of spare parts	YES
Color options	

Data is subject to change without prior notice.



Vinci Sp. z o.o.
Seminaryjna 9 Street
99-400 Łowicz

VAT: 534-265-18-84
PHONE: +48 42 203 24 99 ext. 26
M: +48 793 404 991

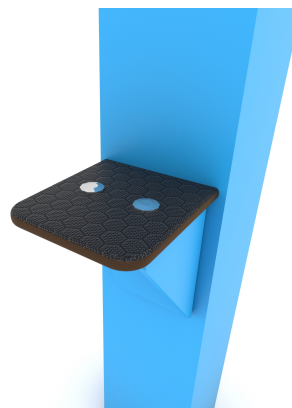
Material specification



Powder galvanized and powder-coated construction of 100 x 100 mm profile, durable end caps on the top of the structure made of plastic,



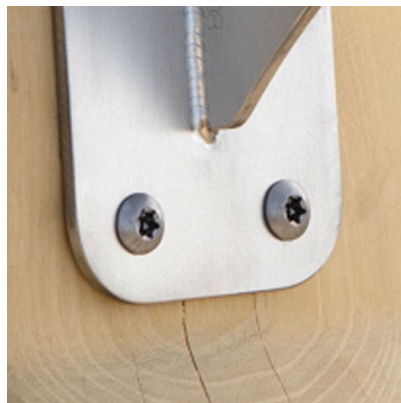
Aluminum exercise instructions plate screwed to HDPE plate, resistant to weather conditions,



Steps made of galvanized and powder-coated steel construction, with treads made from HPL board, resistant to weather conditions,



Stainless steel bars and handrails,



Stainless steel screws and/or screws covered with plastic caps,

Additional information

- device intended for public outdoor gyms;
- equipment has a certificate issued by an accredited entity or a declaration of conformity;
- no sharp edges or chinks that would pose a danger of jamming the head, fingers or any other body parts;
- anchoring on flat surface, 100 cm deep;
- render is for reference only, the actual appearance of the equipment and its color may vary;

Guarantee

30 30 year guarantee - Durability of steel and stainless steel structural elements

15 15 year guarantee - Durability of steel and stainless steel structures of mobile devices; durability of Robinia wood structural elements

10 10 year guarantee - Structural strength of HDPE, 100% recycled HDPE and HPL elements; structural elements made of 100% recycled material (composite)

5 5 year guarantee - Corrosion resistance of stainless steel and hot-dip galvanized and powder-coated steel elements, resistance to bark beetles and rotting of wooden structural elements

Detailed information in the guarantee card

Vinci Sp. z o.o.
Seminaryjna 9 Street
99-400 Łowicz

VAT: 534-265-18-84
PHONE: +48 42 203 24 99 ext. 26
M: +48 793 404 991

26/05/2026

workout
pro

biuro@vinci-play.com
info@vinci-play.com
www.vinci-play.com

2 / 3

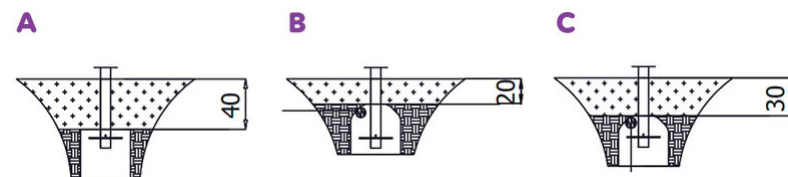
Amount of safe surface corresponding with free fall height:

HIC <60	0,1 m ²
HIC 85	2,8 m ²
HIC 110	4,4 m ²
HIC 130	12,6 m ²

Data is subject to change without prior notice.

Surfaces according to EN 16630:2015

	Description (mm)	Layer thickness (cm)	Maximum fall height (cm)
	Concrete / stone / bituminous surfaces (A, B, C)	-	≤100
	outer soil layer (A,B,C)	-	≤120
	Turf (A,B,C)	-	≤150
bark (A,C)	Particle size from 20 to 80	30	≤200
		40	≤300
wood shavings/cuttings (A, C)	Particle size from 5 to 30	30	≤200
		40	≤300
sand (A,C)	Particle size from 0,2 to 2 mm	30	≤200
		40	≤300
gravel (A,C)	Particle size from 2 to 8	30	≤200
		40	≤300
attested synthetic (A, B, C)	Tested according to EN 1177		130



Vinci Sp. z o.o.
Seminaryjna 9 Street
99-400 Łowicz

VAT: 534-265-18-84
PHONE: +48 42 203 24 99 ext. 26
M: +48 793 404 991

26/05/2026

workout
pro

biuro@vinci-play.com
info@vinci-play.com
www.vinci-play.com

3 / 3