

NATURO NT3603



1 - 8 years



14 kids



29,6 m²



Material specification

- Construction made of the highest quality laminated, impregnated and double coated pine wood 90 x 90 mm without knots, secured from the top with polypropylene plugs,
- Metal anchors made of hot dip galvanized steel, protecting the wood from direct contact with the ground to prevent rot and to extend the product's life,
- Structural elements made of top-quality glued, impregnated, and double-painted knot-free pinewood, weather-resistant;
- Platforms and steps made of durable anti-slip and waterproof HPL plate,
- Structure for platforms made of hot-dip galvanized and powder coated steel;
- Roofs and covers made of top-quality laminated, impregnated, and double-painted knot-free pine wood, resistant to weather conditions;
- Transparent polycarbonate panels resistant to weather conditions,
- Slides made of stainless steel with durable HPL side panels,
- Moving elements made of durable HPL plate, resistant to weather conditions,
- Maze made of durable HDPE plate, resistant to weather conditions, and transparent polycarbonate, balls made of synthetic material
- Telescope made of stainless steel and durable HDPE plate, resistant to weather conditions,
- Tube passage made of stainless steel,
- Stainless steel bars and handrails,
- Stainless steel screws and/or screws covered with plastic caps,
- Safe end caps on top of the structure made of rubber or polypropylene,



Facilitating disability



easy access



handrails



integration



Intellectual development



manipulation



thinking



Physical development



sliding



observation



community



crawling



roofs





1
number of towers



1
number of slides



1
number of roofs



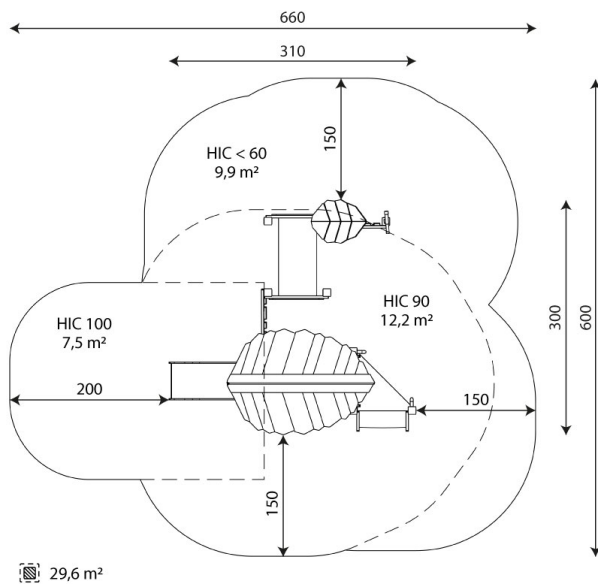
3
number of interactive elements



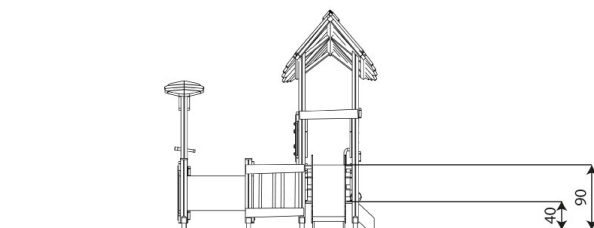
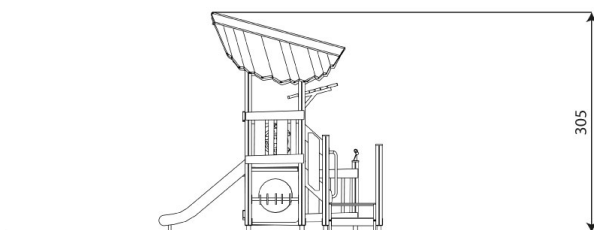
1
number of activity elements



stairs



29,6 m²



Product technical sheet

NATURO NT3603

Product data

| | |
|-----------------------------|---------------------|
| Length | 310 cm |
| Width | 300 cm |
| Total height | 305 cm |
| Age group | 1 - 8 years |
| Number of users | 14 kids |
| Safety zone | 29,6 m² |
| Free fall height | 90 cm |
| The height of the platforms | 40, 90 cm |
| slide platform height | 90 cm |
| In accordance with norm EN | 1176-1:2017+A1:2023 |
| Availability of spare parts | YES |

Color options

Data is subject to change without prior notice.

Additional information

- equipment adapted for the disabled; intended for public playgrounds;
- equipment has a certificate issued by an accredited entity or a declaration of conformity;
- no sharp edges or chinks that would pose a danger of jamming the head, fingers or any other body parts;
- anchoring on flat surface, 80/70/60 cm deep;
- slide should not be installed southwards;
- render is for reference only, the actual appearance of the equipment and its color may vary;

Guarantee

30 30 year guarantee - Durability of steel and stainless steel structural elements

15 15 year guarantee - Durability of steel and stainless steel structures of mobile devices; durability of Robinia wood structural elements

10 10 year guarantee - Structural strength of HDPE, 100% recycled HDPE and HPL elements; structural elements made of 100% recycled material (composite)

5 5 year guarantee - Corrosion resistance of stainless steel and hot-dip galvanized and powder-coated steel elements, resistance to bark beetles and rotting of wooden structural elements

Detailed information in the guarantee card

Vinci Sp. z o.o.
Seminaryjna 9 Street
99-400 Łowicz

VAT: 534-265-18-84
PHONE: +48 42 203 24 99 ext. 26
M: +48 793 404 991



biuro@vinci-play.com
info@vinci-play.com
www.vinci-play.com

Surfaces according to EN 1176-1:2017+A1:2023

| | Description (mm) | Layer thickness (cm) | Maximum fall heights (cm) |
|---------------------------------|------------------------------|----------------------|---------------------------|
| Turf/ top layer of soil (A,B,C) | - | - | ≤100 |
| bark (A,C) | Particle size from 20 to 80 | 30 | ≤200 |
| | | 40 | ≤300 |
| woodchips (A,C) | Particle size from 5 to 30 | 30 | ≤200 |
| | | 40 | ≤300 |
| sand or gravel (A,C) | Particle size from 0,25 to 8 | 30 | ≤200 |
| | | 40 | ≤300 |
| synthetic attested (A,B,C) | Tested according to EN 1177 | | 100 |

Product technical sheet

NATURO NT3603

Amount of safe surface corresponding with free fall height:

| | |
|---------|---------------------|
| HIC <60 | 9,9 m ² |
| HIC 90 | 12,2 m ² |
| HIC 100 | 7,5 m ² |

Data is subject to change without prior notice.

