



**Product technical sheet**

**NATURO NT3636**



1 - 8 years



11 kids



24,6 m<sup>2</sup>



**Material specification**

- Construction made of the highest quality laminated, impregnated and double coated pine wood 90 x 90 mm without knots, secured from the top with polypropylene plugs,
- Metal anchors made of hot dip galvanized steel, protecting the wood from direct contact with the ground to prevent rot and to extend the product's life,
- Structural elements made of top-quality glued, impregnated, and double-painted knot-free pinewood, weather-resistant;
- Platforms and steps made of durable anti-slip and waterproof HPL plate,
- Structure for platforms made of hot-dip galvanized and powder coated steel;
- Roofs and covers made of top-quality laminated, impregnated, and double-painted knot-free pine wood, resistant to weather conditions;
- Transparent polycarbonate panels resistant to weather conditions,
- Slides made of stainless steel with durable HPL side panels,
- Moving elements made of durable HPL plate, resistant to weather conditions,
- Maze made of durable HDPE plate, resistant to weather conditions, and transparent polycarbonate, balls made of synthetic material
- Stainless steel bars and handrails,
- Screws covered with plastic caps and/or stainless steel screws,
- Safe end caps on top of the structure made of rubber or polypropylene,



**Facilitating disability**



easy access



integration



**Intellectual development**



manipulation



thinking



**Physical development**



hiding



sliding



roofs





**1** number of towers



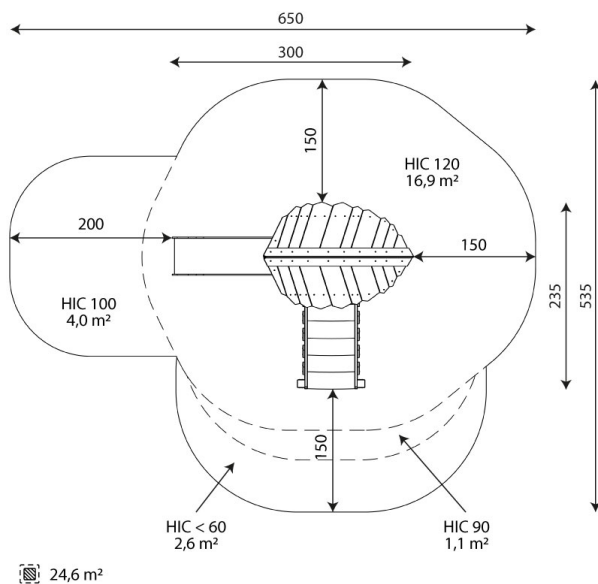
**1** number of slides



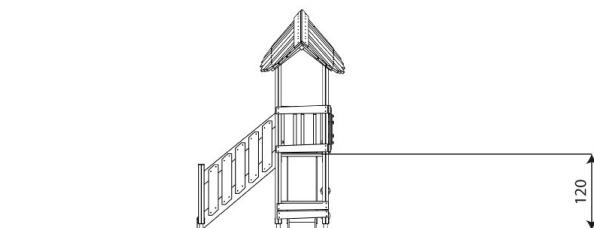
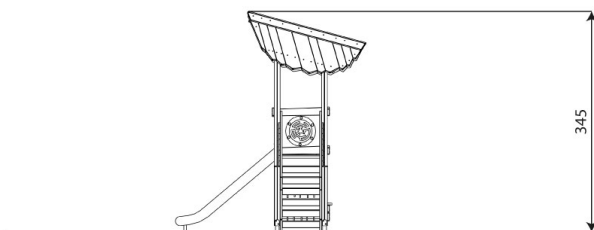
**1** number of roofs



stairs



24,6 m<sup>2</sup>



**Product technical sheet**

**NATURO NT3636**

**Product data**

|                             |                     |
|-----------------------------|---------------------|
| Length                      | 300 cm              |
| Width                       | 235 cm              |
| Total height                | 345 cm              |
| Age group                   | 1 - 8 years         |
| Number of users             | 11 kids             |
| Safety zone                 | 24,6 m <sup>2</sup> |
| Free fall height            | 120 cm              |
| The height of the platforms | 120 cm              |
| slide platform height       | 120 cm              |
| In accordance with norm EN  | 1176-1:2017+A1:2023 |
| Availability of spare parts | YES                 |

Color options

Data is subject to change without prior notice.

**Additional information**

- equipment adapted for the disabled; intended for public playgrounds;
- equipment has a certificate issued by an accredited entity or a declaration of conformity;
- no sharp edges or chinks that would pose a danger of jamming the head, fingers or any other body parts;
- anchoring on flat surface, 80/70/60 cm deep;
- slide should not be installed southwards;
- render is for reference only, the actual appearance of the equipment and its color may vary;

**Guarantee**

**30** 30 year guarantee - Durability of steel and stainless steel structural elements

**15** 15 year guarantee - Durability of steel and stainless steel structures of mobile devices; durability of Robinia wood structural elements

**10** 10 year guarantee - Structural strength of HDPE, 100% recycled HDPE and HPL elements; structural elements made of 100% recycled material (composite)

**5** 5 year guarantee - Corrosion resistance of stainless steel and hot-dip galvanized and powder-coated steel elements, resistance to bark beetles and rotting of wooden structural elements

Detailed information in the guarantee card

Vinci Sp. z o.o.  
Seminaryjna 9 Street  
99-400 Łowicz

VAT: 534-265-18-84  
PHONE: +48 42 203 24 99 ext. 26  
M: +48 793 404 991



biuro@vinci-play.com  
info@vinci-play.com  
[www.vinci-play.com](http://www.vinci-play.com)

## Surfaces according to EN 1176-1:2017+A1:2023

|                                 | Description (mm)             | Layer thickness (cm) | Maximum fall heights (cm) |
|---------------------------------|------------------------------|----------------------|---------------------------|
| Turf/ top layer of soil (A,B,C) | -                            | -                    | ≤100                      |
| bark (A,C)                      | Particle size from 20 to 80  | 30                   | ≤200                      |
|                                 |                              | 40                   | ≤300                      |
| woodchips (A,C)                 | Particle size from 5 to 30   | 30                   | ≤200                      |
|                                 |                              | 40                   | ≤300                      |
| sand or gravel (A,C)            | Particle size from 0,25 to 8 | 30                   | ≤200                      |
|                                 |                              | 40                   | ≤300                      |
| synthetic attested (A,B,C)      | Tested according to EN 1177  |                      | 100                       |

## Product technical sheet

# NATURO NT3636

### Amount of safe surface corresponding with free fall height:

|         |                     |
|---------|---------------------|
| HIC <60 | 2,6 m <sup>2</sup>  |
| HIC 90  | 1,1 m <sup>2</sup>  |
| HIC 100 | 4,0 m <sup>2</sup>  |
| HIC 120 | 16,9 m <sup>2</sup> |

Data is subject to change without prior notice.

