



Product technical sheet

NATURO NT3638



3 - 14 years



12 kids



37,1 m²



Material specification

- Construction made of the highest quality laminated, impregnated and double coated pine wood 90 x 90 mm without knots, secured from the top with polypropylene plugs,
- Metal anchors made of hot dip galvanized steel, protecting the wood from direct contact with the ground to prevent rot and to extend the product's life,
- Hot-dip galvanized and powder coated or powder galvanized and powder coated or stainless steel construction elements,
- Structural elements made of top-quality glued, impregnated, and double-painted knot-free pinewood, weather-resistant;
- Platforms made of durable anti-slip and waterproof HPL plate,
- Structure for platforms made of hot-dip galvanized and powder coated steel;
- Roofs and covers made of top-quality laminated, impregnated, and double-painted knot-free pine wood, resistant to weather conditions;
- Slides made of stainless steel with durable HPL side panels,
- Fireman's pole made of stainless steel,
- Climbing walls made of top-quality glued, impregnated, and double-painted knot-free pinewood with HPL side panels, weather-resistant;
- Moving elements made of durable HPL plate, resistant to weather conditions,
- Attested, safe seats,
- Calibrated stainless steel chains, preventing fingers entrapment,
- Stainless steel swing fittings,
- Stainless steel bars and handrails,
- Screws covered with plastic caps and/or stainless steel screws,



Facilitating disability



easy access



integration



Intellectual development



manipulation



thinking



Physical development



sliding



pull-up



climbing



rocking



roofs





1
number of towers



1
number of slides



1
number of roofs

Product technical sheet

NATURO NT3638

Product data

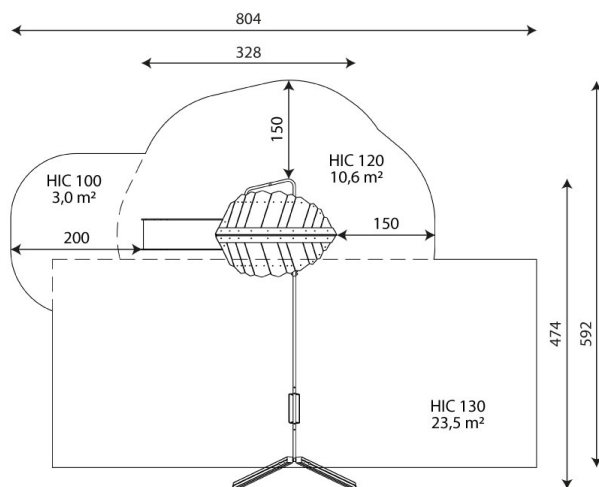
Length	328 cm
Width	474 cm
Total height	345 cm
Age group	3 - 14 years
Number of users	12 kids
Safety zone	37,1 m ²
Free fall height	130 cm
The height of the platforms	120 cm
slide platform height	120 cm
In accordance with norm EN	1176-1:2017+A1:2023
Availability of spare parts	YES

Color options

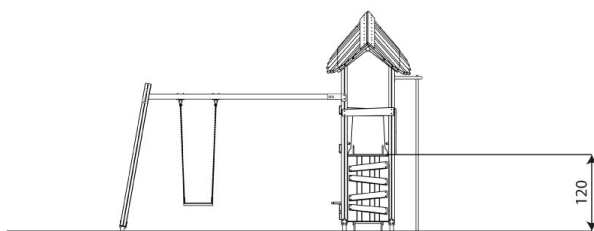
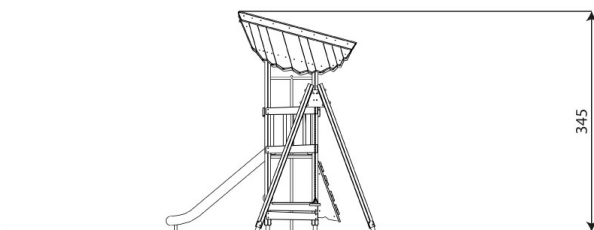
Data is subject to change without prior notice.

Additional information

- equipment adapted for the disabled; intended for public playgrounds;
- equipment has a certificate issued by an accredited entity or a declaration of conformity;
- available types of seats in the swing: R1 - flat, R2 - basket, R3 - flat belt, R5 - flat with barrier, R16 - parent-child;
- no sharp edges or chinks that would pose a danger of jamming the head, fingers or any other body parts;
- anchoring on flat surface, 80/70/60 cm deep;
- slide should not be installed southwards;
- render is for reference only, the actual appearance of the equipment and its color may vary;



37,1 m²



Guarantee

30

30 year guarantee - Durability of steel and stainless steel structural elements

15

15 year guarantee - Durability of steel and stainless steel structures of mobile devices; durability of Robinia wood structural elements

10

10 year guarantee - Structural strength of HDPE, 100% recycled HDPE and HPL elements; structural elements made of 100% recycled material (composite)

5

5 year guarantee - Corrosion resistance of stainless steel and hot-dip galvanized and powder-coated steel elements, resistance to bark beetles and rotting of wooden structural elements

Detailed information in the guarantee card

Vinci Sp. z o.o.
Seminaryjna 9 Street
99-400 Łowicz

VAT: 534-265-18-84
PHONE: +48 42 203 24 99 ext. 26
M: +48 793 404 991



biuro@vinci-play.com
info@vinci-play.com
www.vinci-play.com

Surfaces according to EN 1176-1:2017+A1:2023

	Description (mm)	Layer thickness (cm)	Maximum fall heights (cm)
Turf/ top layer of soil (A,B,C)	-	-	≤100
bark (A,C)	Particle size from 20 to 80	30	≤200
		40	≤300
woodchips (A,C)	Particle size from 5 to 30	30	≤200
		40	≤300
sand or gravel (A,C)	Particle size from 0,25 to 8	30	≤200
		40	≤300
synthetic attested (A,B,C)	Tested according to EN 1177		100

Product technical sheet

NATURO NT3638

Amount of safe surface corresponding with free fall height:

HIC 100	3,0 m ²
HIC 120	10,6 m ²
HIC 130	23,5 m ²

Data is subject to change without prior notice.

