

# NATURO NT3655



1 - 8 years



23 kids



29,8 m<sup>2</sup>



## Material specification

- Construction made of the highest quality laminated, impregnated and double coated pine wood 90 x 90 mm without knots, secured from the top with polypropylene plugs,
- Metal anchors made of hot dip galvanized steel, protecting the wood from direct contact with the ground to prevent rot and to extend the product's life,
- Structural elements made of top-quality glued, impregnated, and double-painted knot-free pinewood, weather-resistant;
- Platforms made of durable anti-slip and waterproof HPL plate,
- Structure for platforms made of hot-dip galvanized and powder coated steel;
- Roofs and covers made of top-quality laminated, impregnated, and double-painted knot-free pine wood, resistant to weather conditions;
- Transparent polycarbonate panels resistant to weather conditions,
- Moving elements made of durable HPL plate, resistant to weather conditions,
- Drawing board made of durable HPL plate, resistant to weather conditions,
- Maze made of durable HDPE plate, resistant to weather conditions, and transparent polycarbonate, balls made of synthetic material
- Seats/backrests made of the highest quality laminated, impregnated and double coated pine wood without knots,
- Stainless steel bars,
- Screws covered with plastic caps and/or stainless steel screws,
- Safe end caps on top of the structure made of rubber or polypropylene,



### Facilitating disability



easy access



integration



### Intellectual development



manipulation



sensorics



thinking



### Physical development



rest



roofs

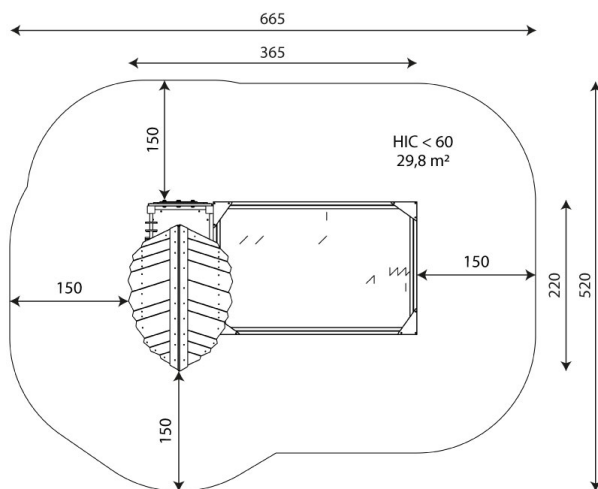




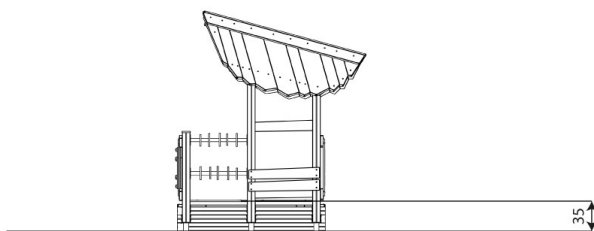
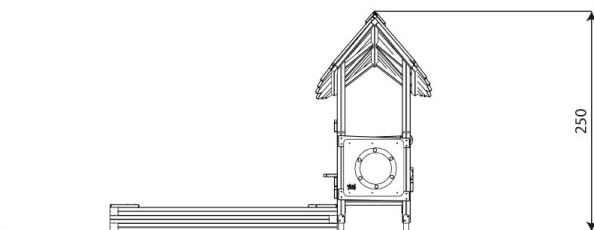
**1**  
number of towers



**1**  
number of roofs



29,8 m²



**Product technical sheet**

**NATURO NT3655**

**Product data**

Length	365 cm
Width	220 cm
Total height	250 cm
Age group	1 - 8 years
Number of users	23 kids
Safety zone	29,8 m2
Free fall height	<60 cm
The height of the platforms	35 cm
In accordance with norm EN	1176-1:2017+A1:2023
Availability of spare parts	YES

Color options

Data is subject to change without prior notice.

**Additional information**

- equipment adapted for the disabled; intended for public playgrounds;
- equipment has a certificate issued by an accredited entity or a declaration of conformity;
- no sharp edges or chinks that would pose a danger of jamming the head, fingers or any other body parts;
- anchoring on flat surface, 80/70/60 cm deep;
- render is for reference only, the actual appearance of the equipment and its color may vary;

**Guarantee**

**30**

30 year guarantee - Durability of steel and stainless steel structural elements

**15**

15 year guarantee - Durability of steel and stainless steel structures of mobile devices; durability of Robinia wood structural elements

**10**

10 year guarantee - Structural strength of HDPE, 100% recycled HDPE and HPL elements; structural elements made of 100% recycled material (composite)

**5**

5 year guarantee - Corrosion resistance of stainless steel and hot-dip galvanized and powder-coated steel elements, resistance to bark beetles and rotting of wooden structural elements

Detailed information in the guarantee card



## Surfaces according to EN 1176-1:2017+A1:2023

	Description (mm)	Layer thickness (cm)	Maximum fall heights (cm)
Turf/ top layer of soil (A,B,C)	-	-	≤100
bark (A,C)	Particle size from 20 to 80	30	≤200
		40	≤300
woodchips (A,C)	Particle size from 5 to 30	30	≤200
		40	≤300
sand or gravel (A,C)	Particle size from 0,25 to 8	30	≤200
		40	≤300
synthetic attested (A,B,C)	Tested according to EN 1177		<60

## Product technical sheet

# NATURO NT3655

### Amount of safe surface corresponding with free fall height:

HIC <60 29,8 m<sup>2</sup>

Data is subject to change without prior notice.

