

Product technical sheet

FITNESS RB1125



14+



< 140 kg

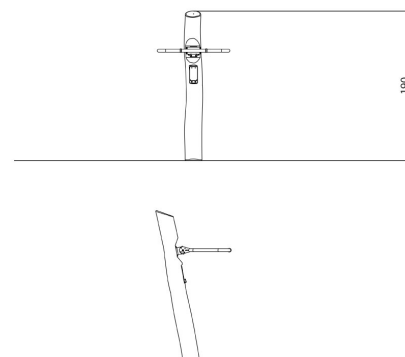
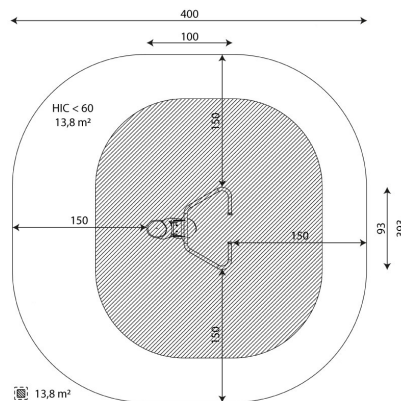


13,8 m²

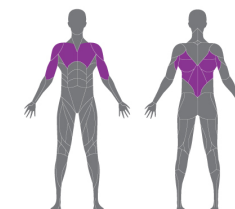
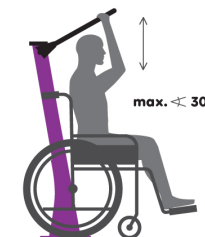
Product data

| | |
|--------------------------------|---------------------|
| Length | 100 cm |
| Width | 93 cm |
| Total height | 190 cm |
| Age group | 14+ years |
| Maximum weight of user | 140 kg |
| Safety zone | 13,8 m ² |
| Free fall height | <60 cm |
| In accordance with norm EN | 16630:2015 |
| Weight of the heaviest part | 68 kg |
| Dimensions of the largest part | 253x22x22 cm |
| Availability of spare parts | YES |

Data is subject to change without prior notice.



vinci
play



Vinci Sp. z o.o.
Seminaryjna 9 Street
99-400 Łowicz

VAT: 534-265-18-84
PHONE: +48 42 203 24 99 ext. 26
M: +48 793 404 991

24/11/2025

fitness

biuro@vinci-play.com
info@vinci-play.com
www.vinci-play.com

1 / 3

Material specification



Construction made of Robinia - very durable acacia wood with a diameter of ~ 22 cm without sharp edges, resistant to weather conditions,



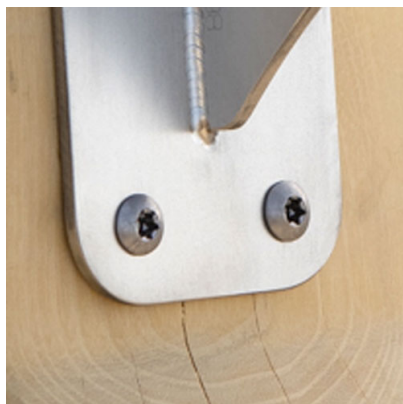
Polycarbonate exercise instructions information plate and phone holder made of durable HDPE plate, resistant to weather conditions,



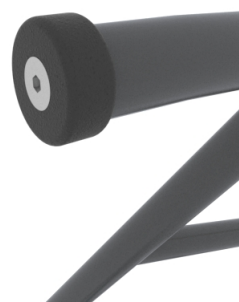
Stainless steel bars and handrails,



Moving elements based on a durable braking system closed in casings, which do not require greasing and maintenance, ensuring long service life of the device,



Stainless steel screws and/or screws covered with plastic caps,



Safe end caps on the top of the bar, made of durable HDPE plate, resistant to weather conditions,

Additional information

- equipment adapted for the disabled; device intended for public outdoor gyms;
- equipment has a certificate issued by an accredited entity or a declaration of conformity;
- no sharp edges or chinks that would pose a danger of jamming the head, fingers or any other body parts;
- anchoring on flat surface, 80/70 cm deep;
- render is for reference only, the actual appearance of the equipment and its color may vary;

Guarantee

30 30 year guarantee - Durability of steel and stainless steel structural elements

15 15 year guarantee - Durability of steel and stainless steel structures of mobile devices; durability of Robinia wood structural elements

10 10 year guarantee - Structural strength of HDPE, 100% recycled HDPE and HPL elements; structural elements made of 100% recycled material (composite)

5 5 year guarantee - Corrosion resistance of stainless steel and hot-dip galvanized and powder-coated steel elements, resistance to bark beetles and rotting of wooden structural elements

Detailed information in the guarantee card

Vinci Sp. z o.o.
Seminaryjna 9 Street
99-400 Łowicz

VAT: 534-265-18-84
PHONE: +48 42 203 24 99 ext. 26
M: +48 793 404 991

24/11/2025

fitness

biuro@vinci-play.com
info@vinci-play.com
www.vinci-play.com

2 / 3

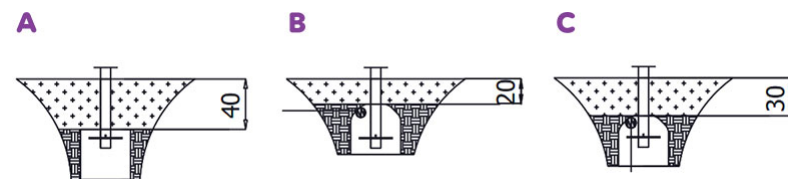
Amount of safe surface corresponding with free fall height:

HIC <60 13,8 m²

Data is subject to change without prior notice.

Surfaces according to EN 16630:2015

| | Description (mm) | Layer thickness (cm) | Maximum fall height (cm) |
|--|--------------------------------|----------------------|--------------------------|
| Concrete / stone / bituminous surfaces (A, B, C) | - | - | ≤100 |
| outer soil layer (A,B,C) | - | - | ≤120 |
| Turf (A,B,C) | - | - | ≤150 |
| bark (A,C) | Particle size from 20 to 80 | 30 | ≤200 |
| | | 40 | ≤300 |
| wood shavings/cuttings (A, C) | Particle size from 5 to 30 | 30 | ≤200 |
| | | 40 | ≤300 |
| sand (A,C) | Particle size from 0,2 to 2 mm | 30 | ≤200 |
| | | 40 | ≤300 |
| gravel (A,C) | Particle size from 2 to 8 | 30 | ≤200 |
| | | 40 | ≤300 |
| attested synthetic (A, B, C) | Tested according to EN 1177 | | <60 |



Vinci Sp. z o.o.
Seminaryjna 9 Street
99-400 Łowicz

VAT: 534-265-18-84
PHONE: +48 42 203 24 99 ext. 26
M: +48 793 404 991

24/11/2025

fitness

biuro@vinci-play.com
info@vinci-play.com
www.vinci-play.com

3 / 3