



**Product technical sheet**

**CLIMBOO WD1465**



7 - 16 years



6 kids



20,2 m<sup>2</sup>

**Material specification**

- Construction made of the highest quality laminated, impregnated and double coated pine wood 90 x 90 mm without knots, secured from the top with polypropylene plugs,
- Metal anchors made of hot dip galvanized steel, protecting the wood from direct contact with the ground to prevent rot and to extend the product's life,
- Stainless steel ladders,
- Stainless steel screws and/or screws covered with plastic caps,
- Safe end caps made of polypropylene,



**Physical development**

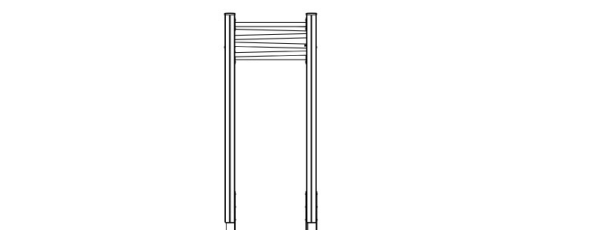
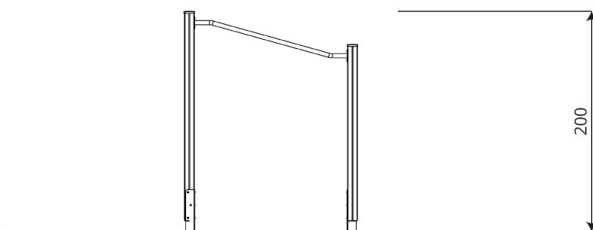
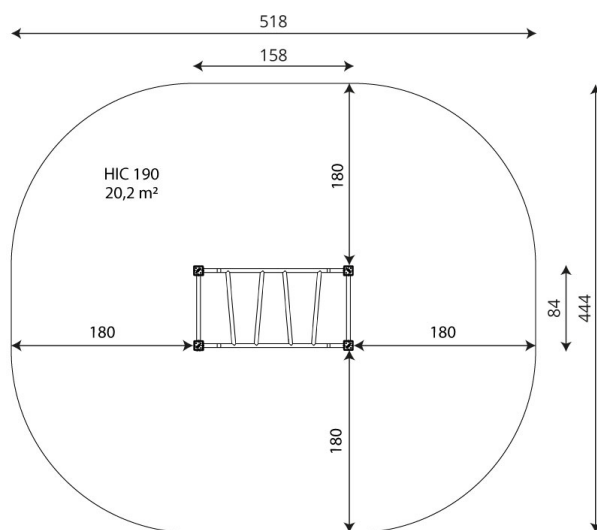


pull-up





**1**  
number of activity elements



## Product technical sheet

# CLIMBOO WD1465

### Product data

Length	158 cm
Width	84 cm
Total height	200 cm
Age group	7 - 16 years
Number of users	6 kids
Safety zone	20,2 m2
Free fall height	190 cm
In accordance with norm EN	1176-1:2017+A1:2023
Weight of the heaviest part	11 kg
Dimensions of the largest part	189x9x9 cm
Availability of spare parts	YES
Installation time	2 h

Data is subject to change without prior notice.

### Additional information

- equipment intended for public playgrounds;
- equipment has a certificate issued by an accredited entity or a declaration of conformity;
- no sharp edges or chinks that would pose a danger of jamming the head, fingers or any other body parts;
- anchoring on flat surface, 80/70/60 cm deep;
- render is for reference only, the actual appearance of the equipment and its color may vary;

### Guarantee

**30**

30 year guarantee - Durability of steel and stainless steel structural elements

**15**

15 year guarantee - Durability of steel and stainless steel structures of mobile devices; durability of Robinia wood structural elements

**10**

10 year guarantee - Structural strength of HDPE, 100% recycled HDPE and HPL elements; structural elements made of 100% recycled material (composite)

**5**

5 year guarantee - Corrosion resistance of stainless steel and hot-dip galvanized and powder-coated steel elements, resistance to bark beetles and rotting of wooden structural elements

Detailed information in the guarantee card



## Surfaces according to EN 1176-1:2017+A1:2023

	Description (mm)	Layer thickness (cm)	Maximum fall heights (cm)
Turf/ top layer of soil (A,B,C)	-	-	≤100
bark (A,C)	Particle size from 20 to 80	30	≤200
		40	≤300
woodchips (A,C)	Particle size from 5 to 30	30	≤200
		40	≤300
sand or gravel (A,C)	Particle size from 0,25 to 8	30	≤200
		40	≤300
synthetic attested (A,B,C)	Tested according to EN 1177		190

## Product technical sheet

# CLIMBOO WD1465

### Amount of safe surface corresponding with free fall height:

HIC 190 20,2 m<sup>2</sup>

Data is subject to change without prior notice.

