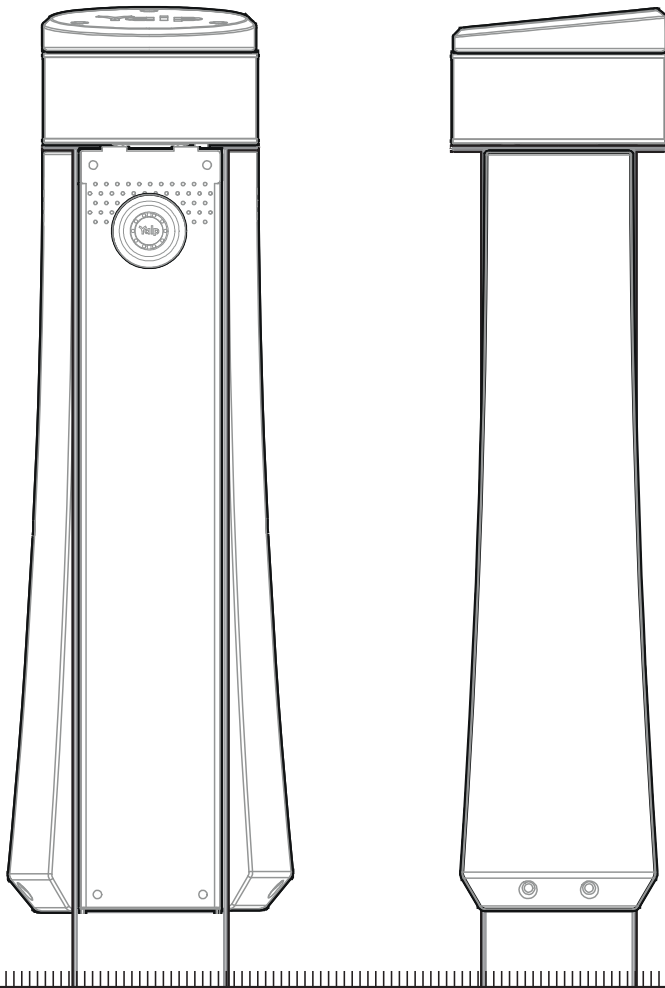


Yalp Memo

YA 3900



Installation instructions

EN

Installatievoorschrift

NL

Installationsanweisungen

DE



WARNING

Read these installation instructions before you start the installation. Retain this manual for future reference.



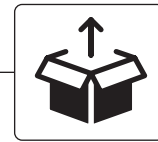
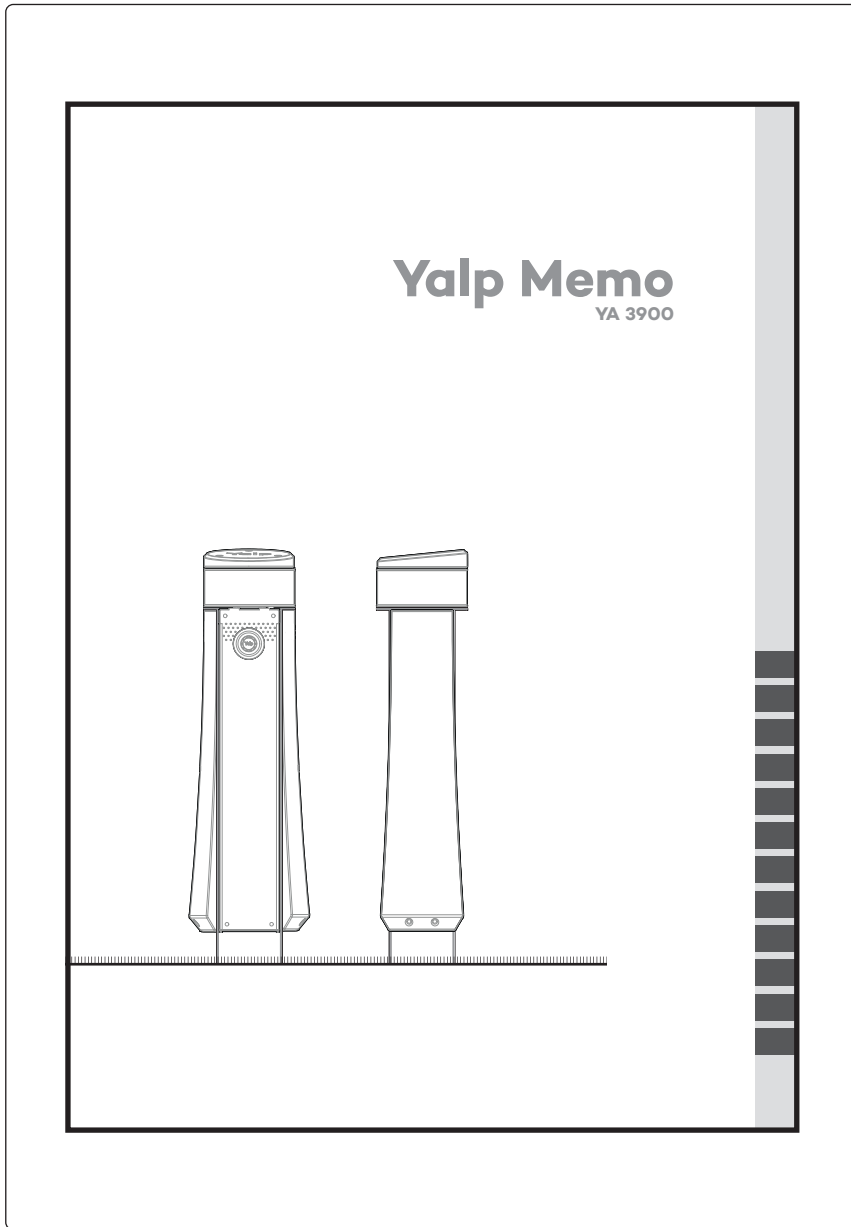
WAARSCHUWING

Lees deze installatieinstructies voordat u dit toestel installeert. Bewaar deze handleiding voor toekomstig gebruik.

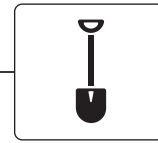


WARNUNG

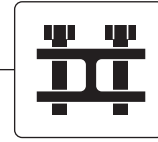
Bitte lesen Sie dieses Installationshandbuch durch, bevor Sie das Produkt installieren. Bewahren Sie dieses Handbuch zum späteren Nachschlagen auf.



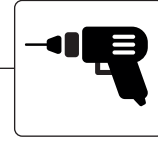
A



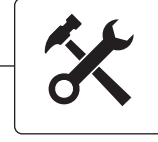
B



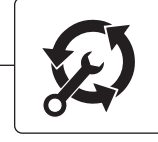
C



D



E



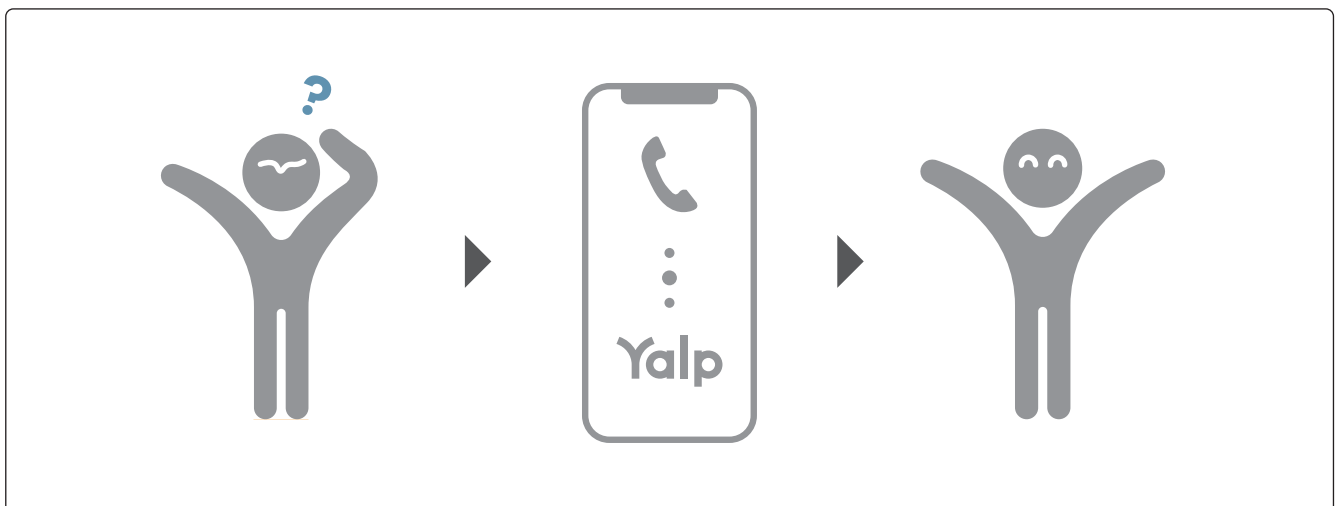
F



EN

NL

DE



A

A



B

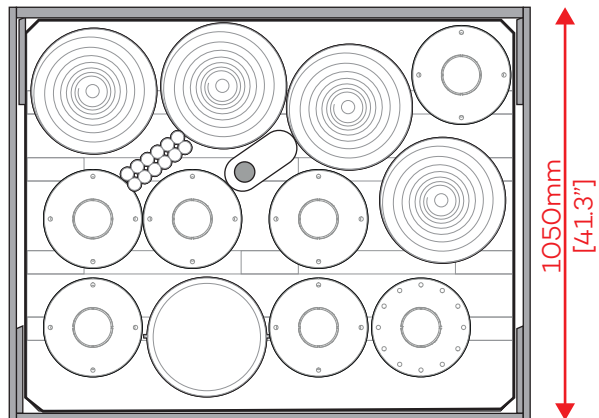
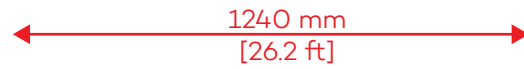
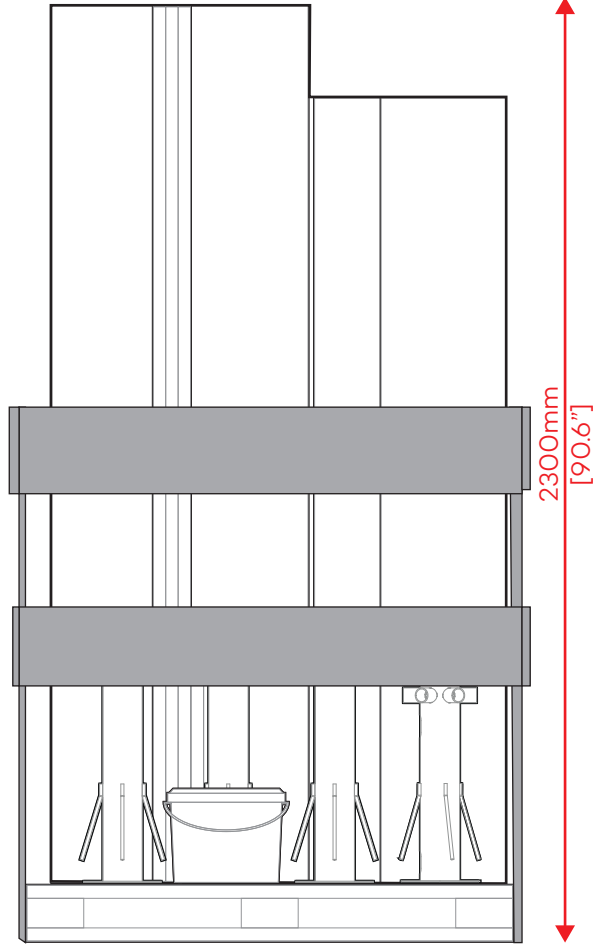
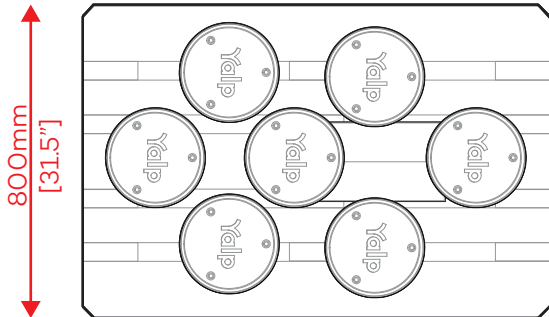
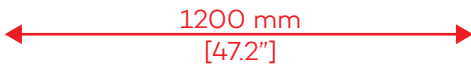
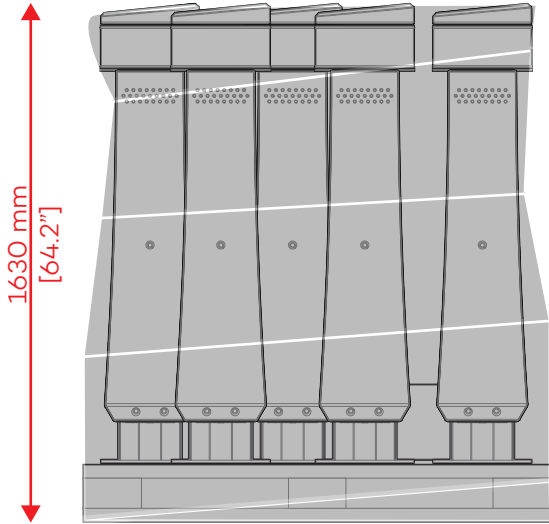
C

D

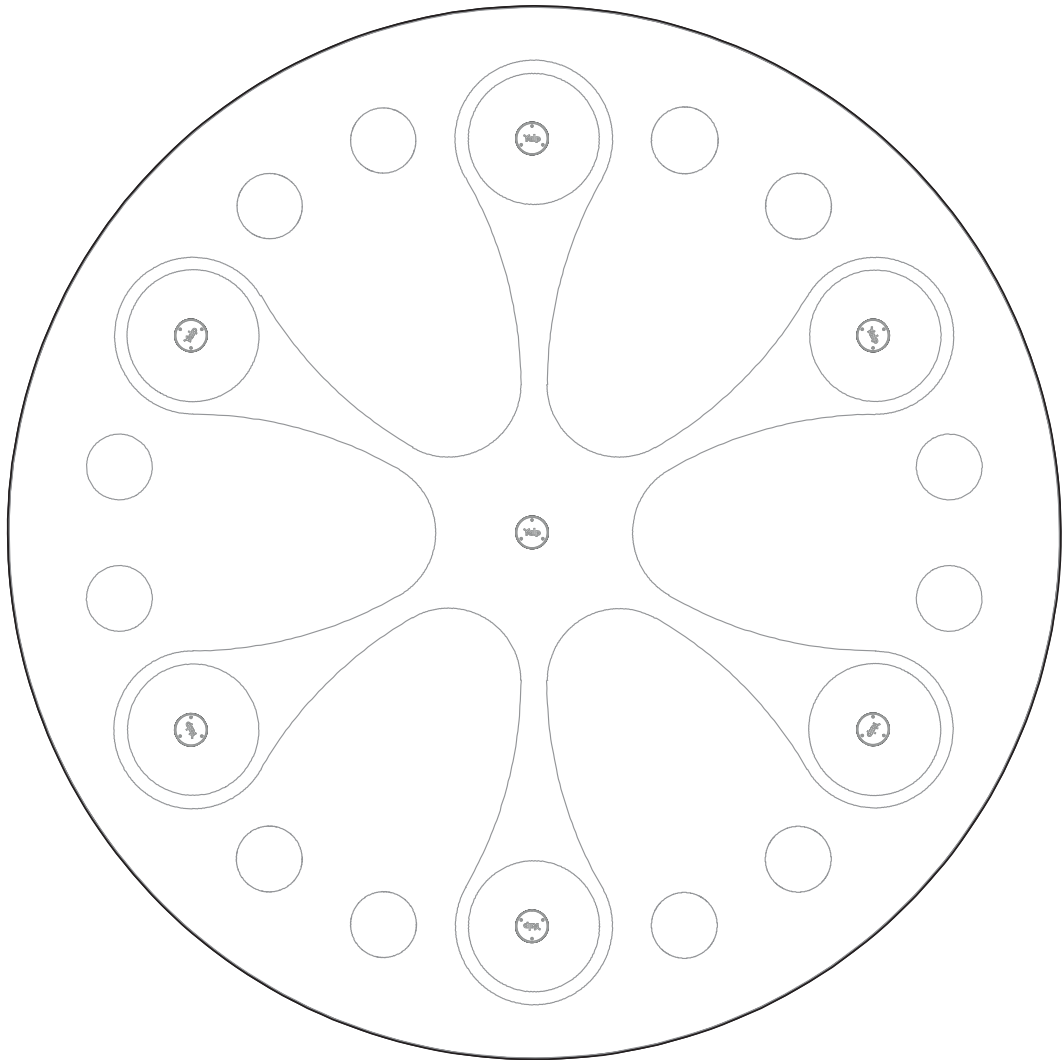
E

F

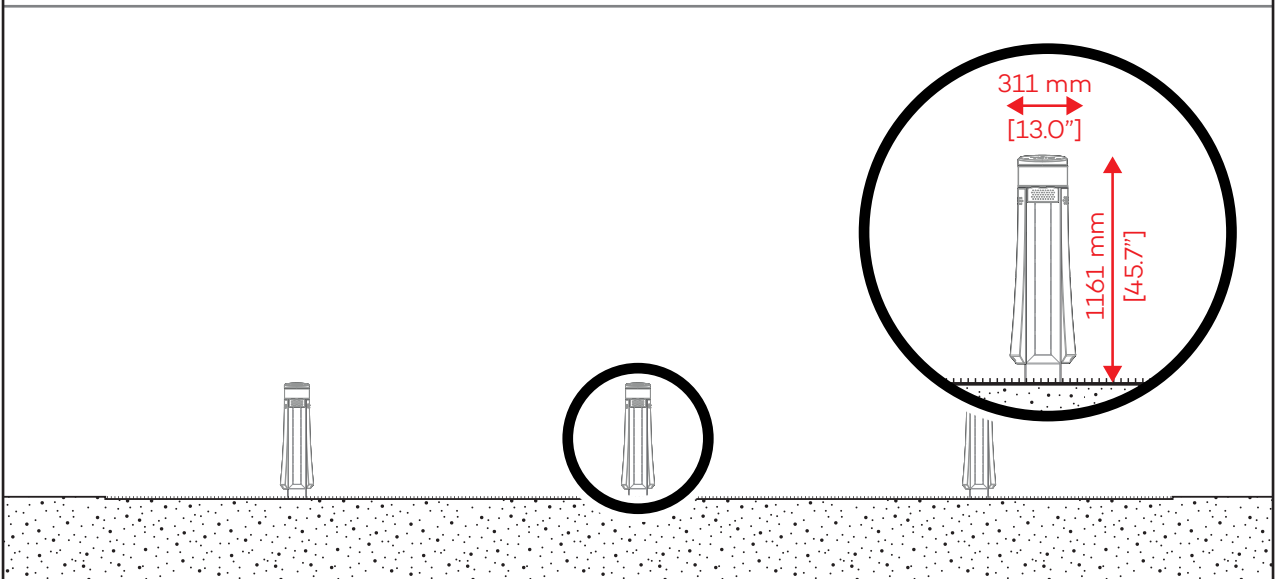
A.1



A.2

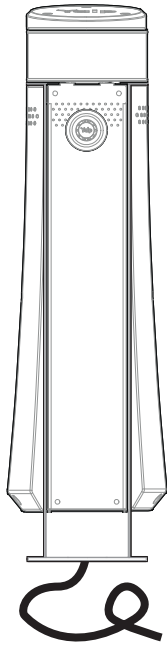


8 m
[26.2 ft]

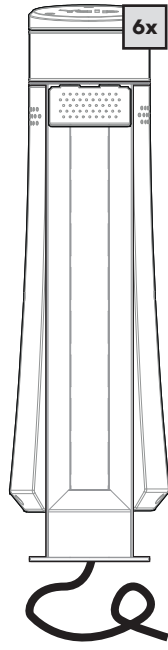


A.3

A
B
C
D
E
F



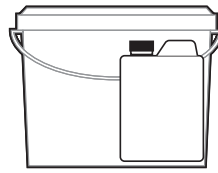
160-200



160-010



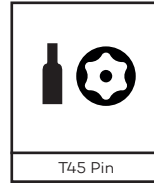
Glue mixer



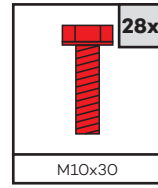
Glue



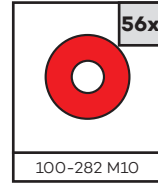
Seam Tape 40 m



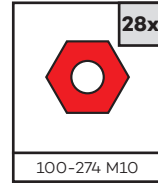
T45 Pin



M10x30



100-282 M10



100-274 M10



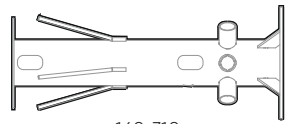
Floor



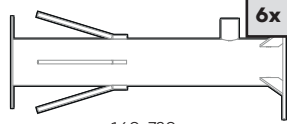
PVC 2.90m [114.2"] / Ø32mm [1.3"]



PVC Glue



160-710



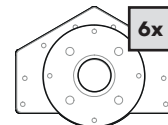
160-720



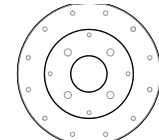
160-620



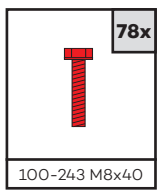
160-614



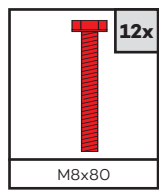
160-605



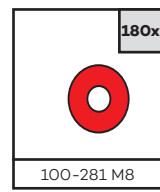
160-608



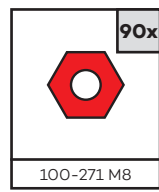
100-243 M8x40



M8x80



100-281 M8



100-271 M8

A

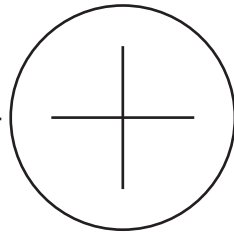
B

C

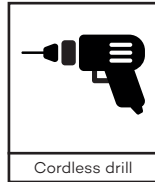
D

E

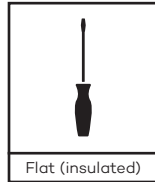
F



24 mm



Cordless drill



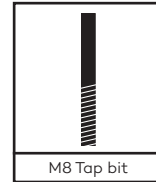
Flat (insulated)



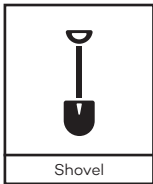
Stanley knife



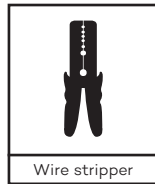
Measuring tape



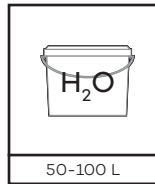
M8 Tap bit



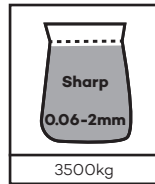
Shovel



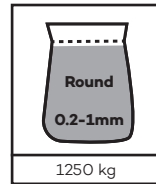
Wire stripper



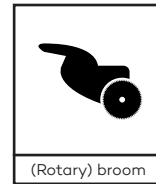
50-100 L



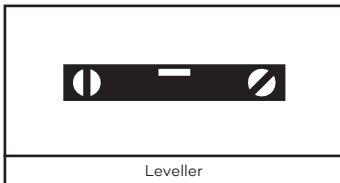
3500kg



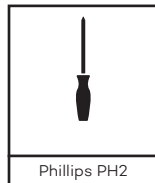
1250 kg



(Rotary) broom



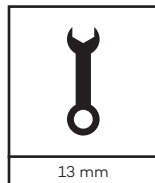
Leveller



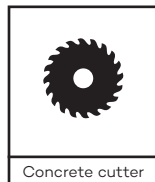
Phillips PH2



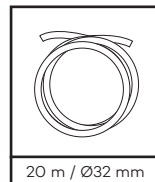
900 kg C20/25



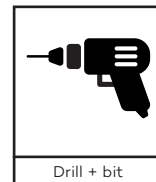
13 mm



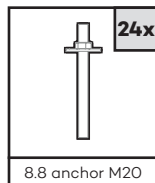
Concrete cutter



20 m / Ø32 mm



Drill + bit

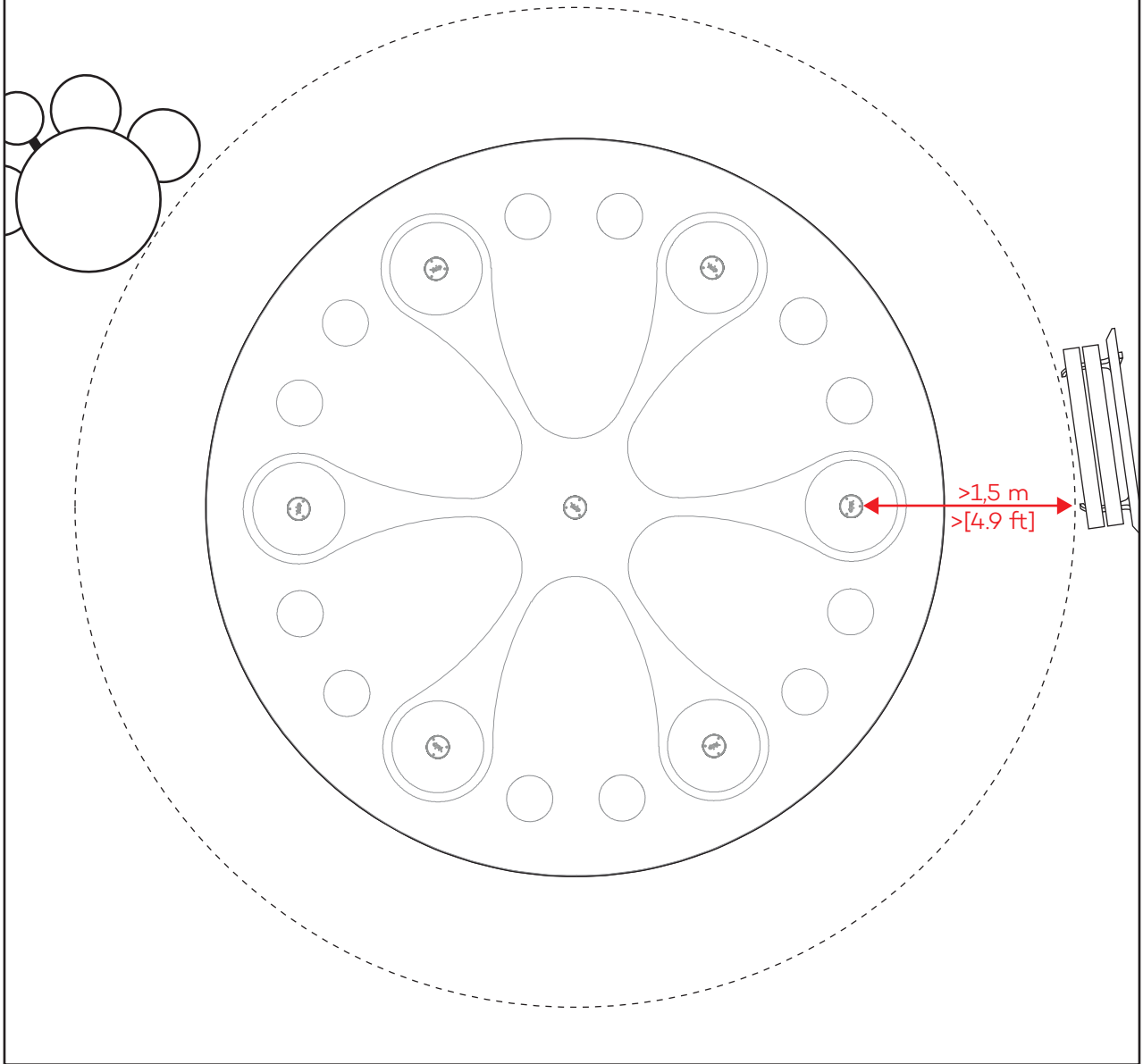


8.8 anchor M20

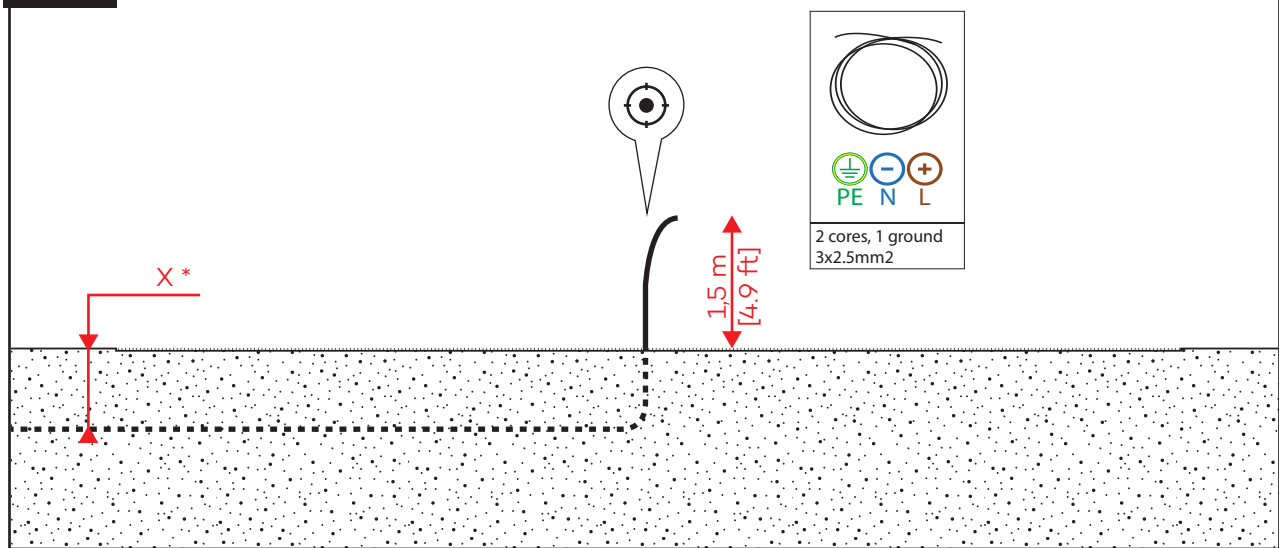


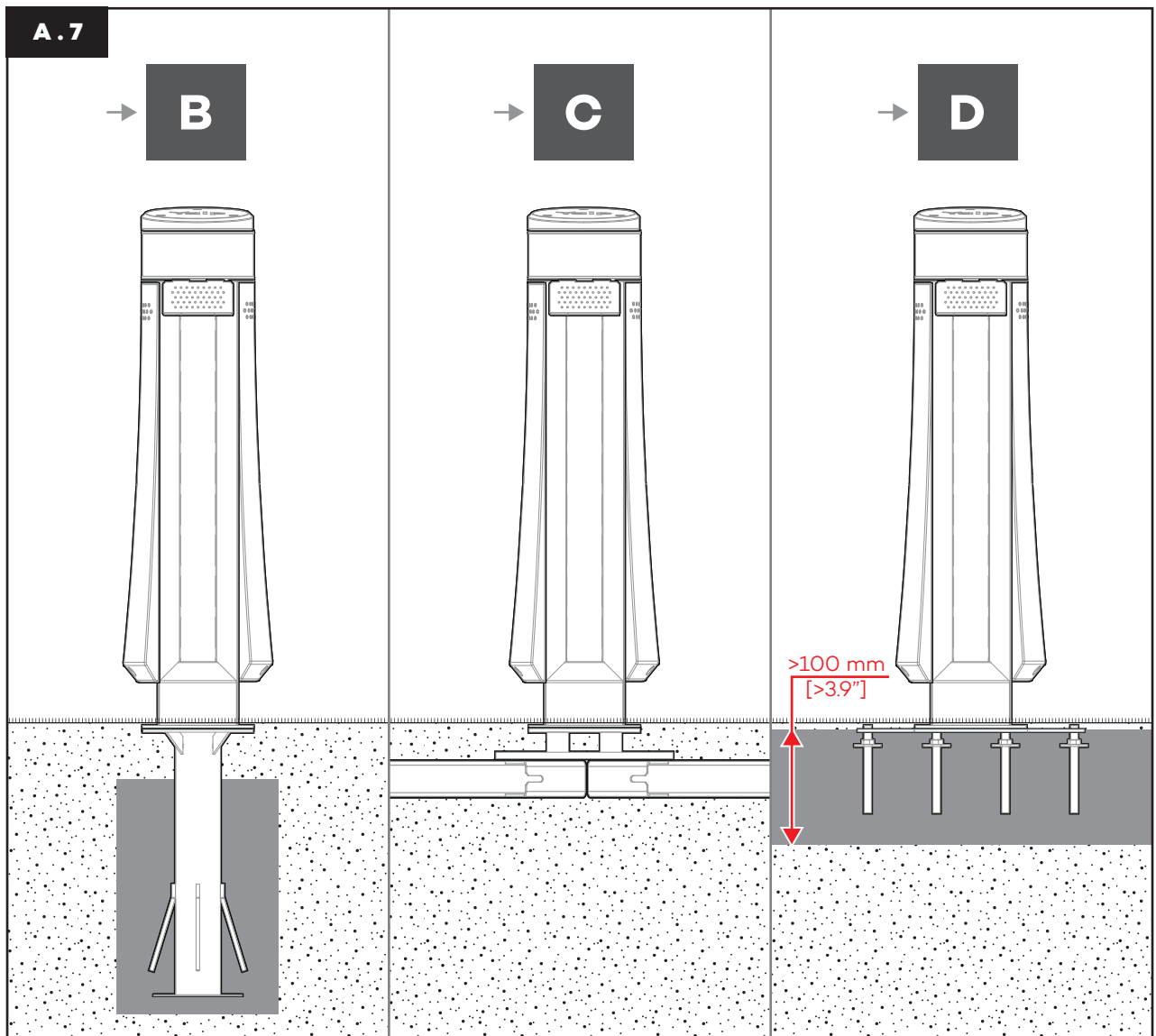
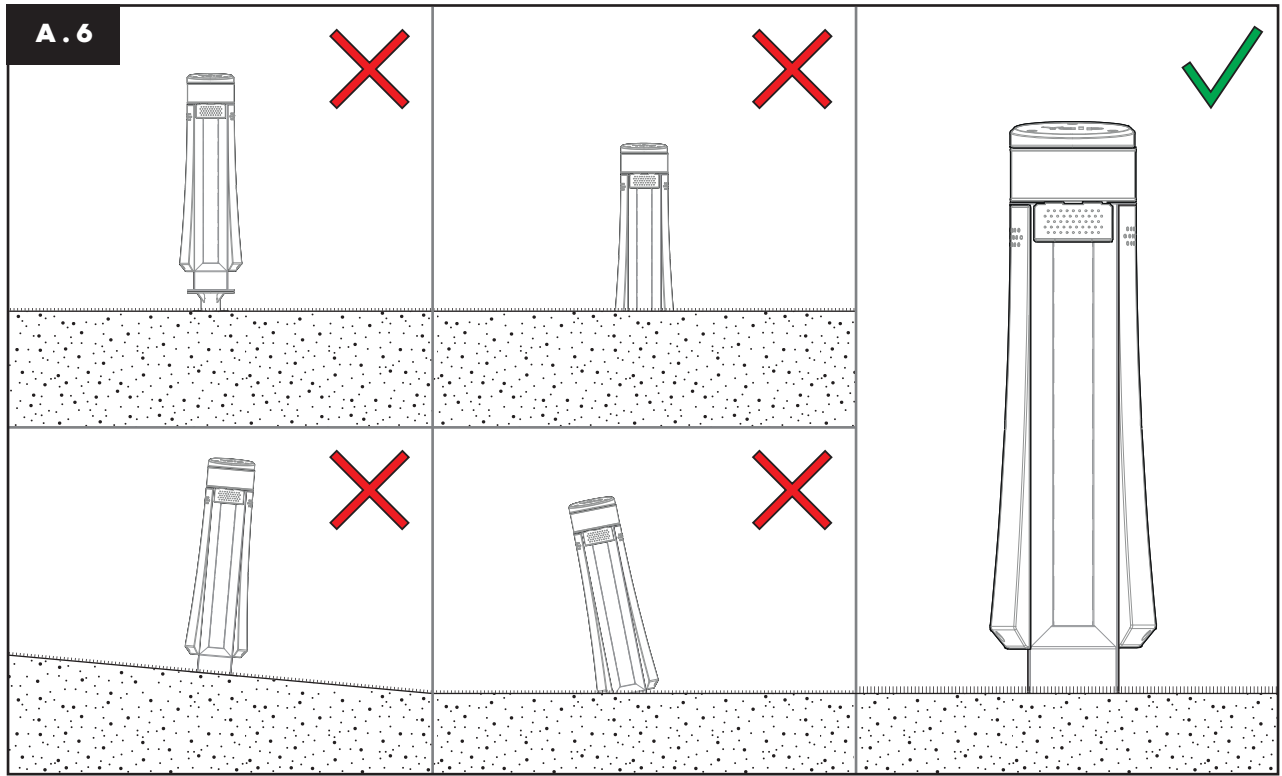
350-450kg C20/25

A.4



A.5





A

B

C

D

E

F

A

B



B

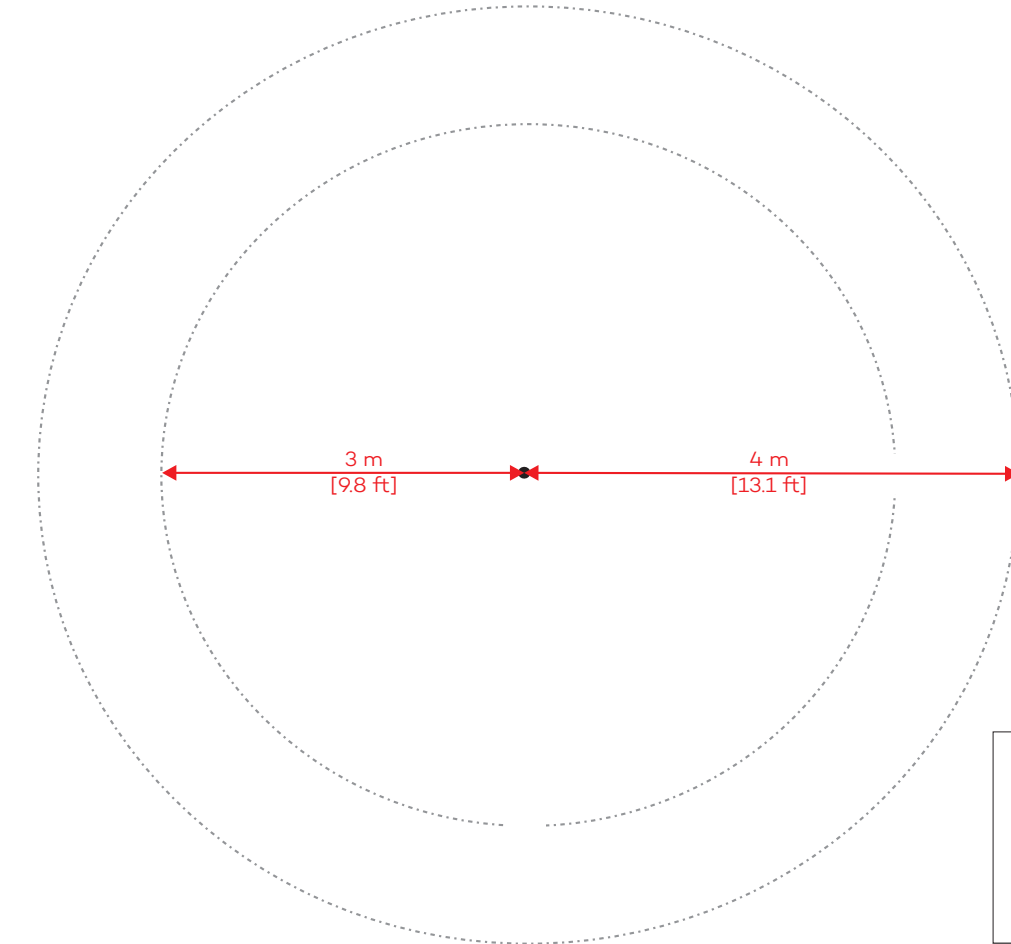
B.1

C

D

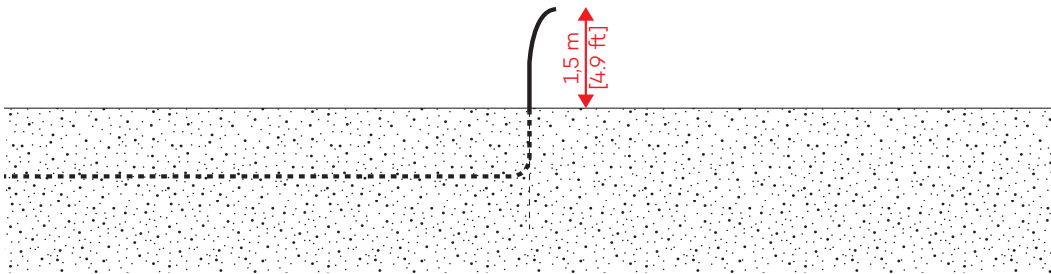
E

F

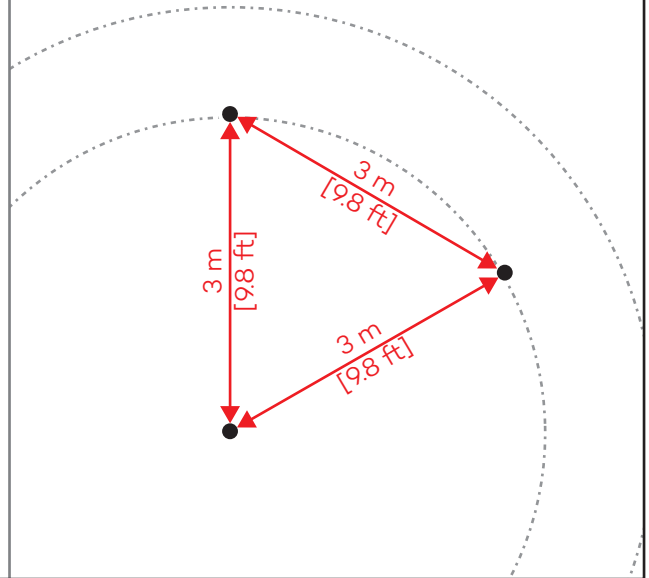
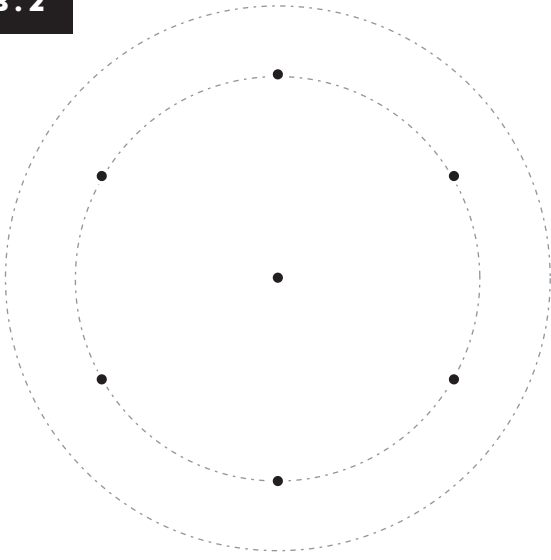


Legend for cable layout showing a coil and conductor symbols. The symbols include a ground symbol (PE), a negative conductor symbol (N), and a positive conductor symbol (L).

2 cores, 1 ground
3x2.5mm²



B.2



A

B

C

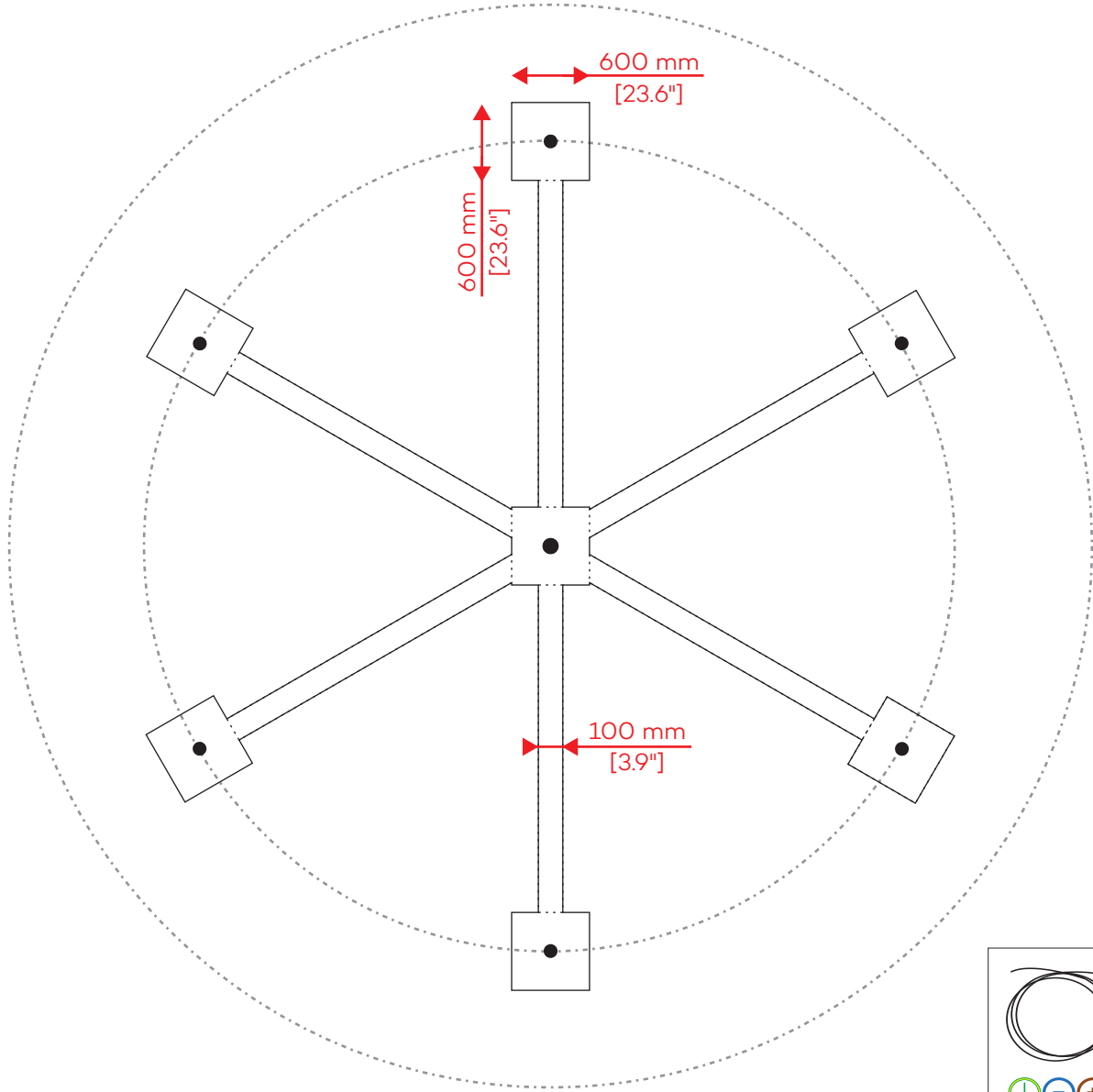
D

E

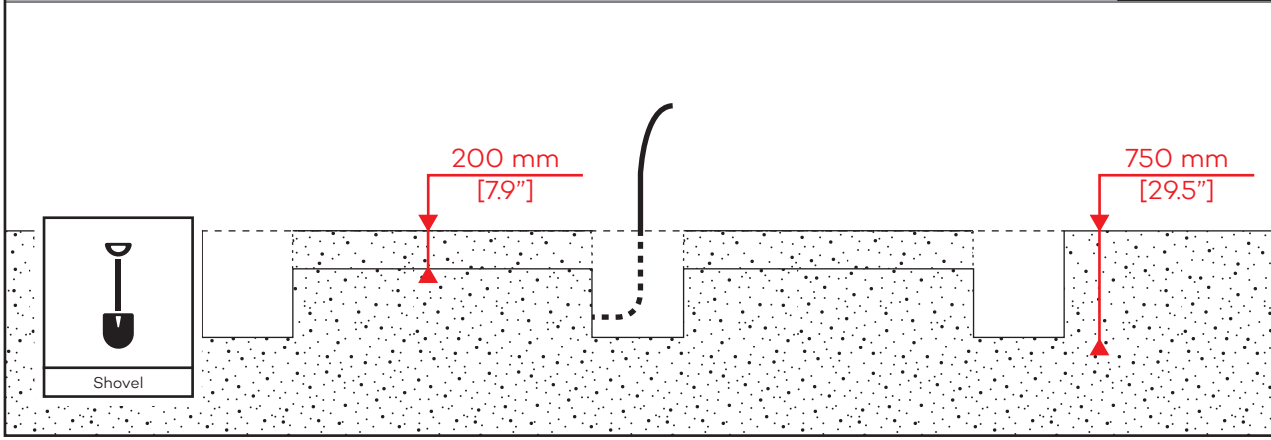
F

B.3

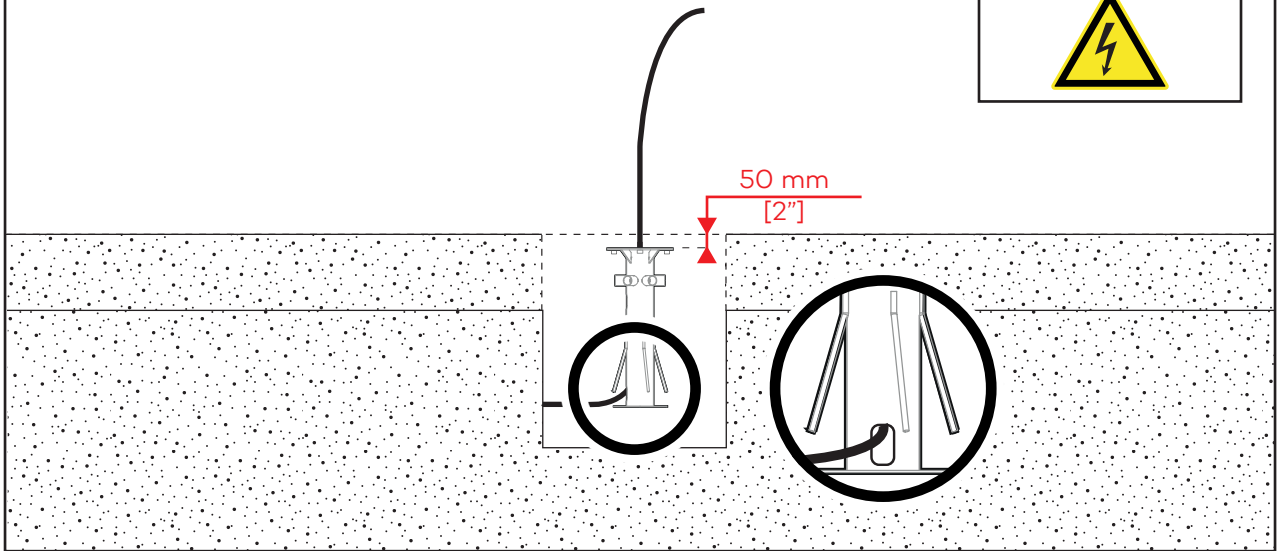
A
B
C
D
E
F



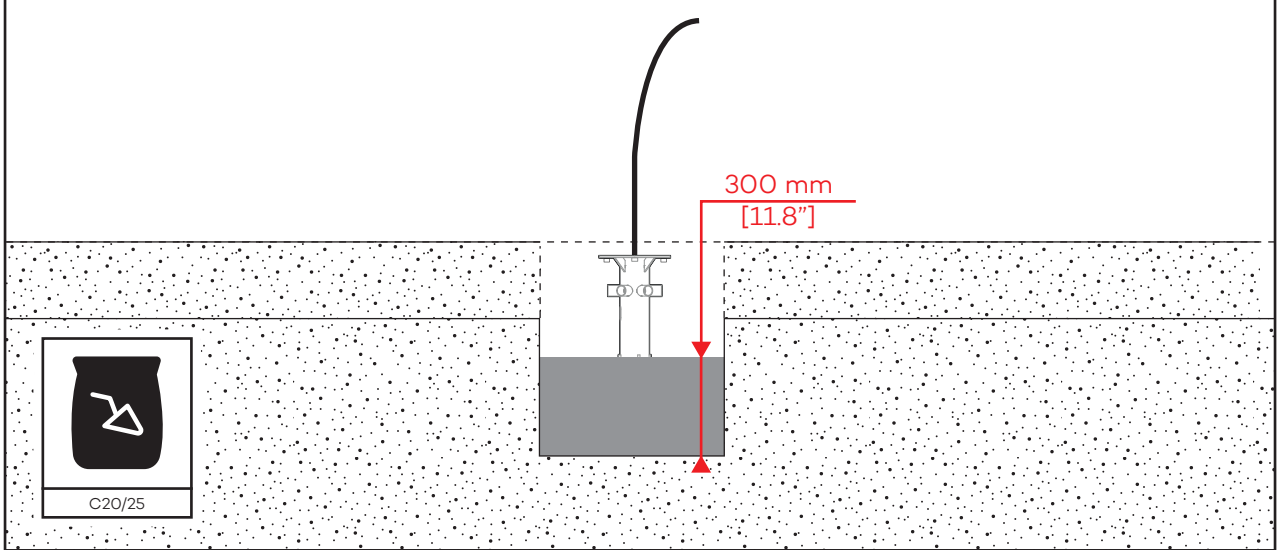
2 cores, 1 ground
3x2.5mm²



B.4



B.5



A

B

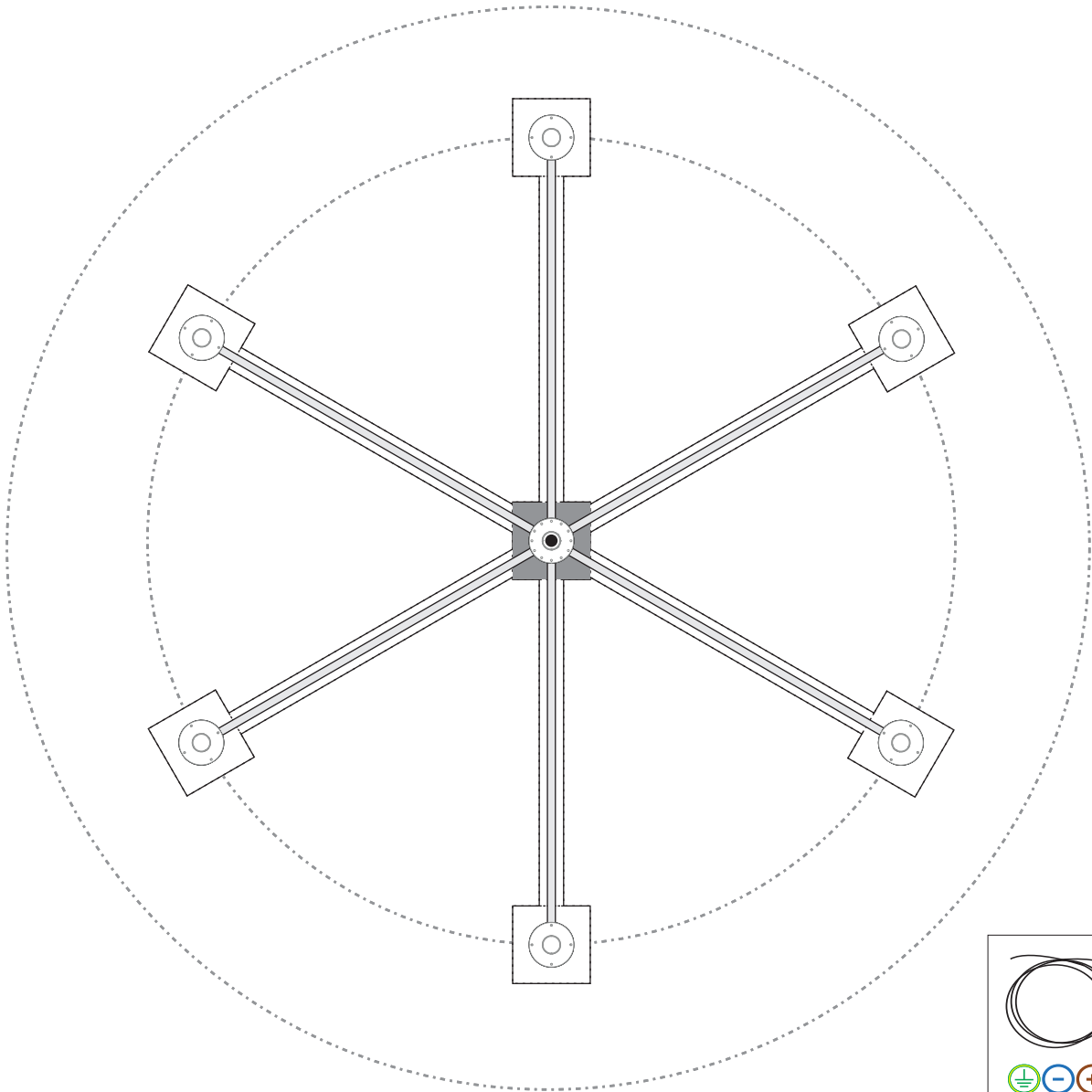
C

D

E

F

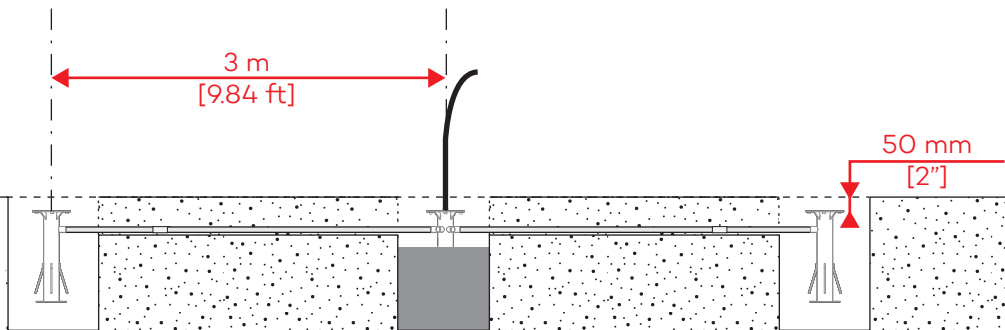
B.6



PE N L

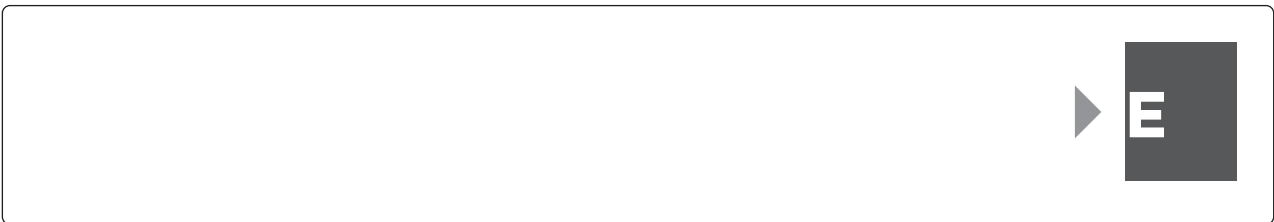
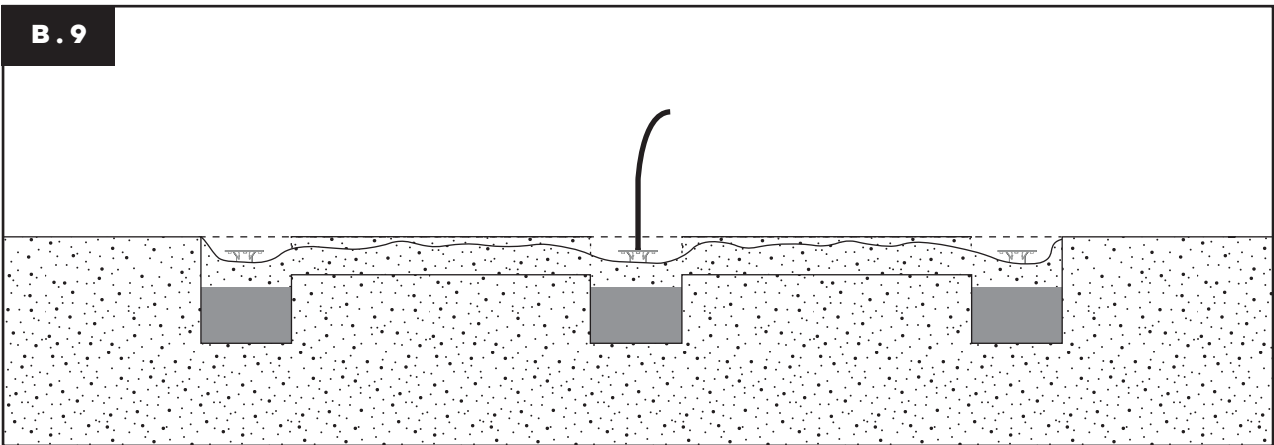
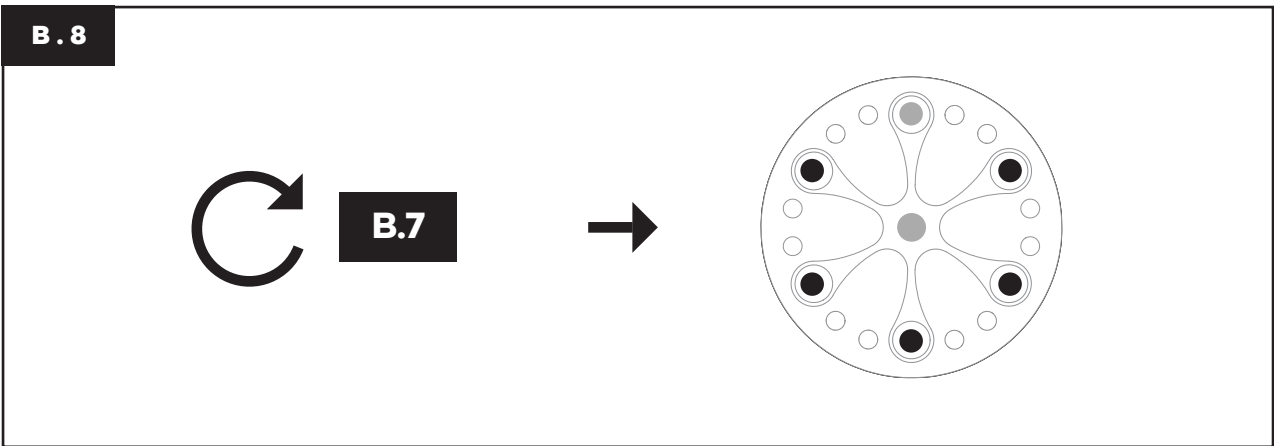
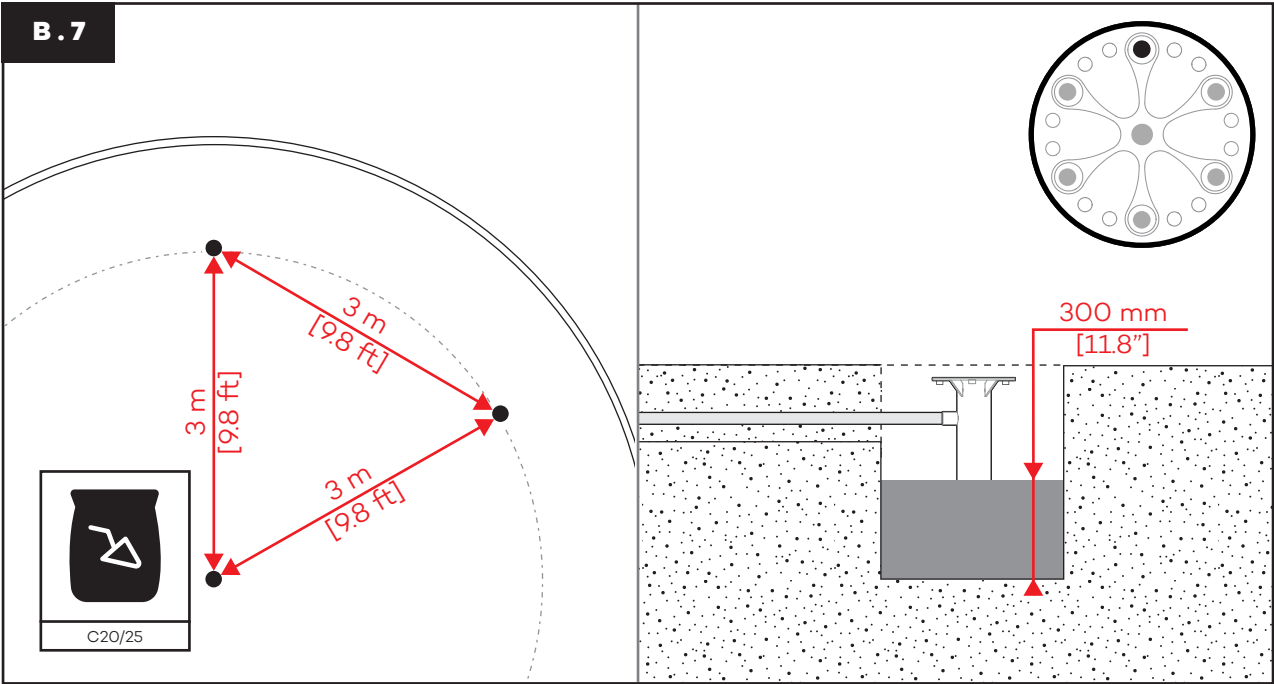
2 cores, 1 ground
3x2.5mm²

6x



PVC Glue

B
C
D
E
F



A

B

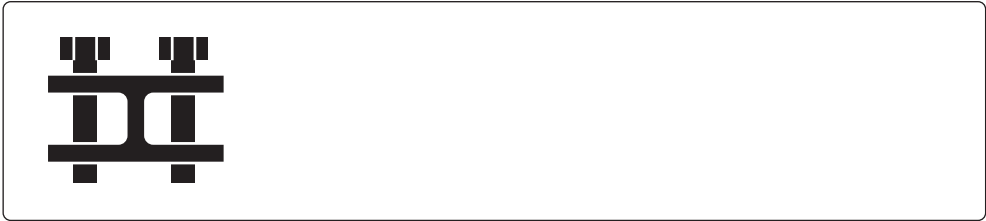
C

D

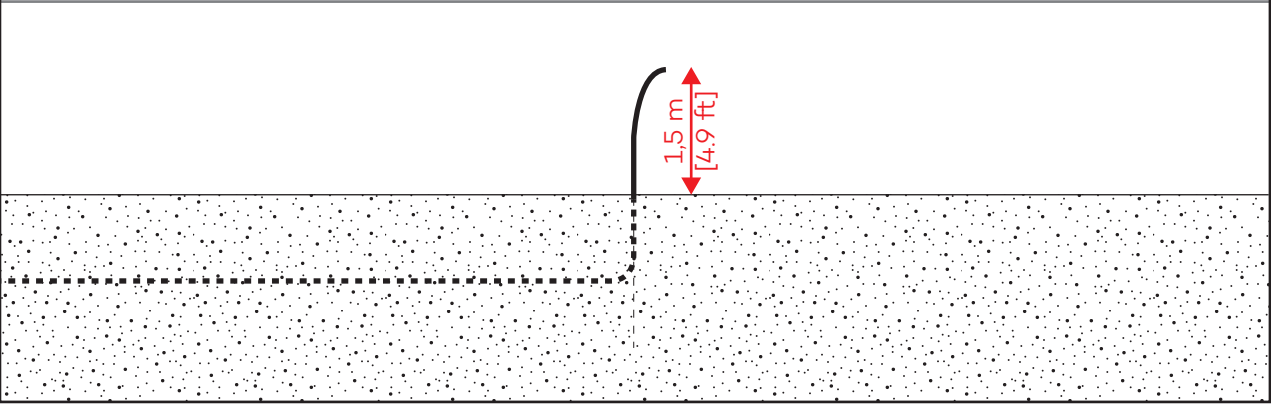
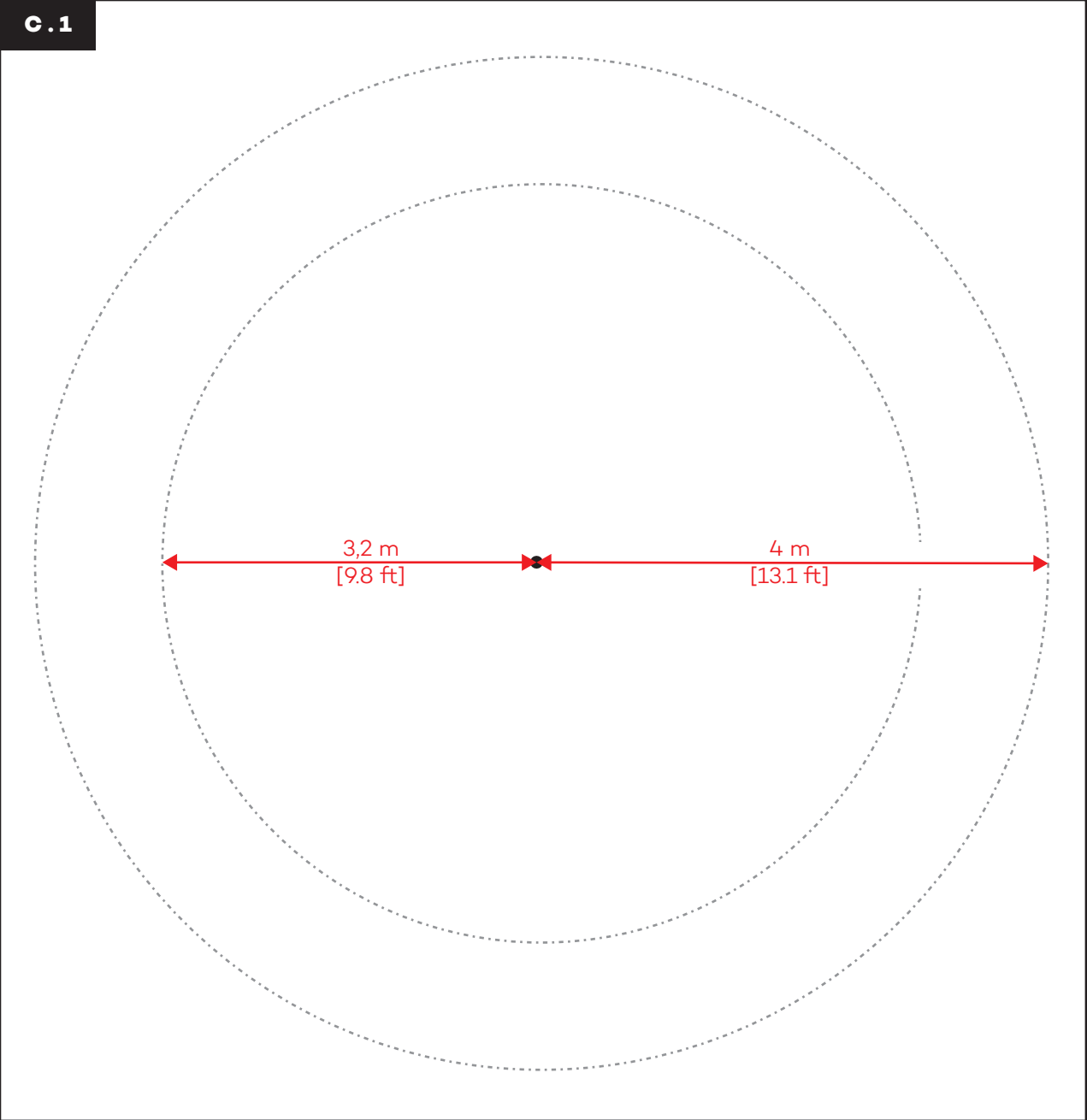
E

F

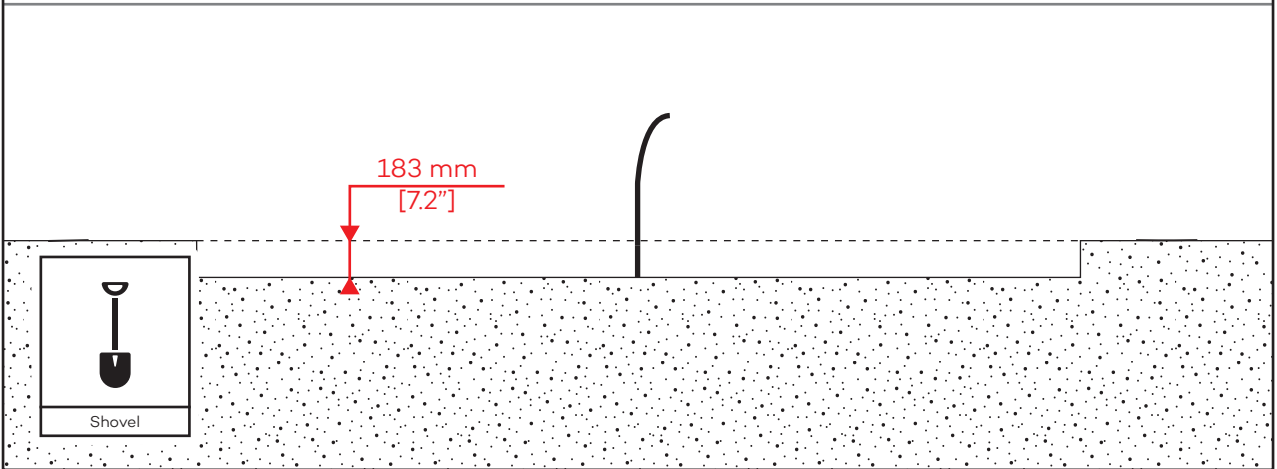
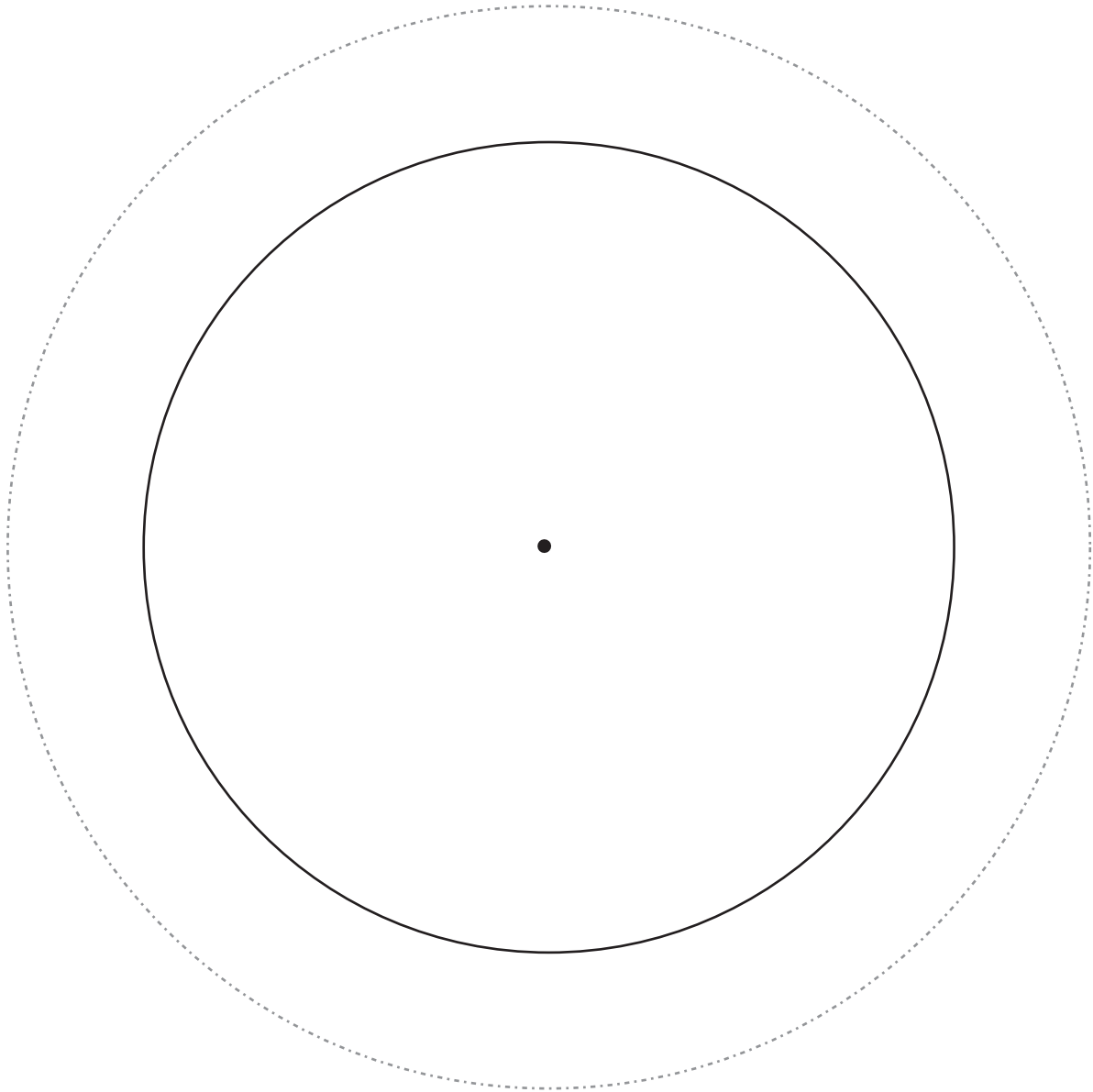
C



C.1



C.2



A

B

C

D

E

F



A

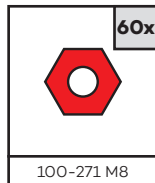
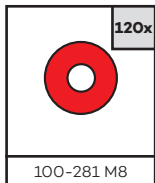
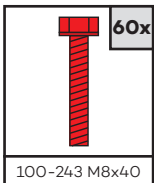
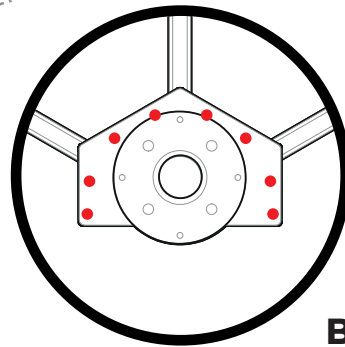
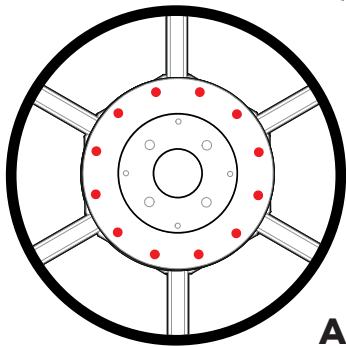
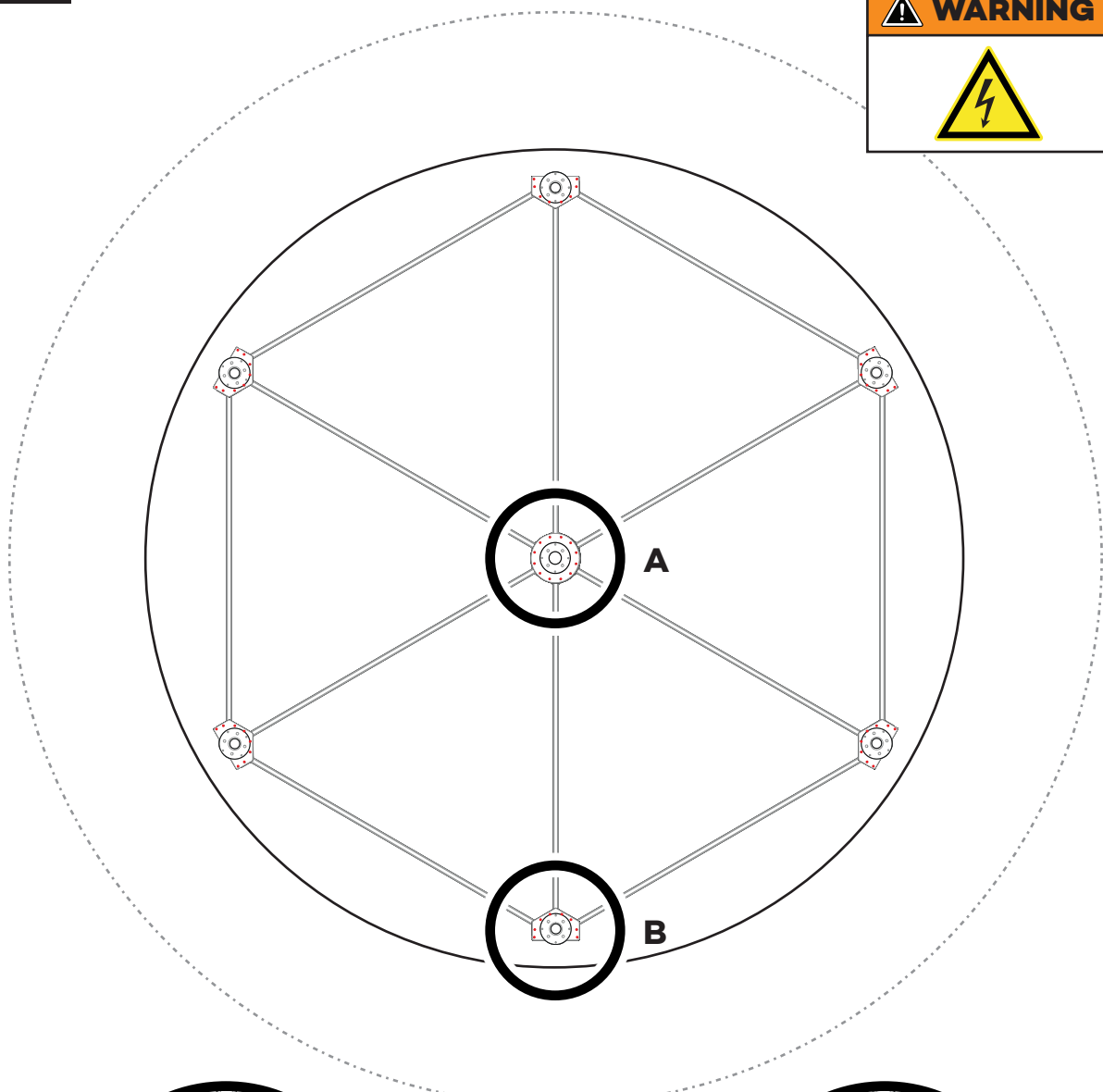
B

C

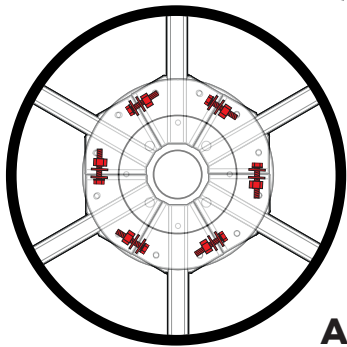
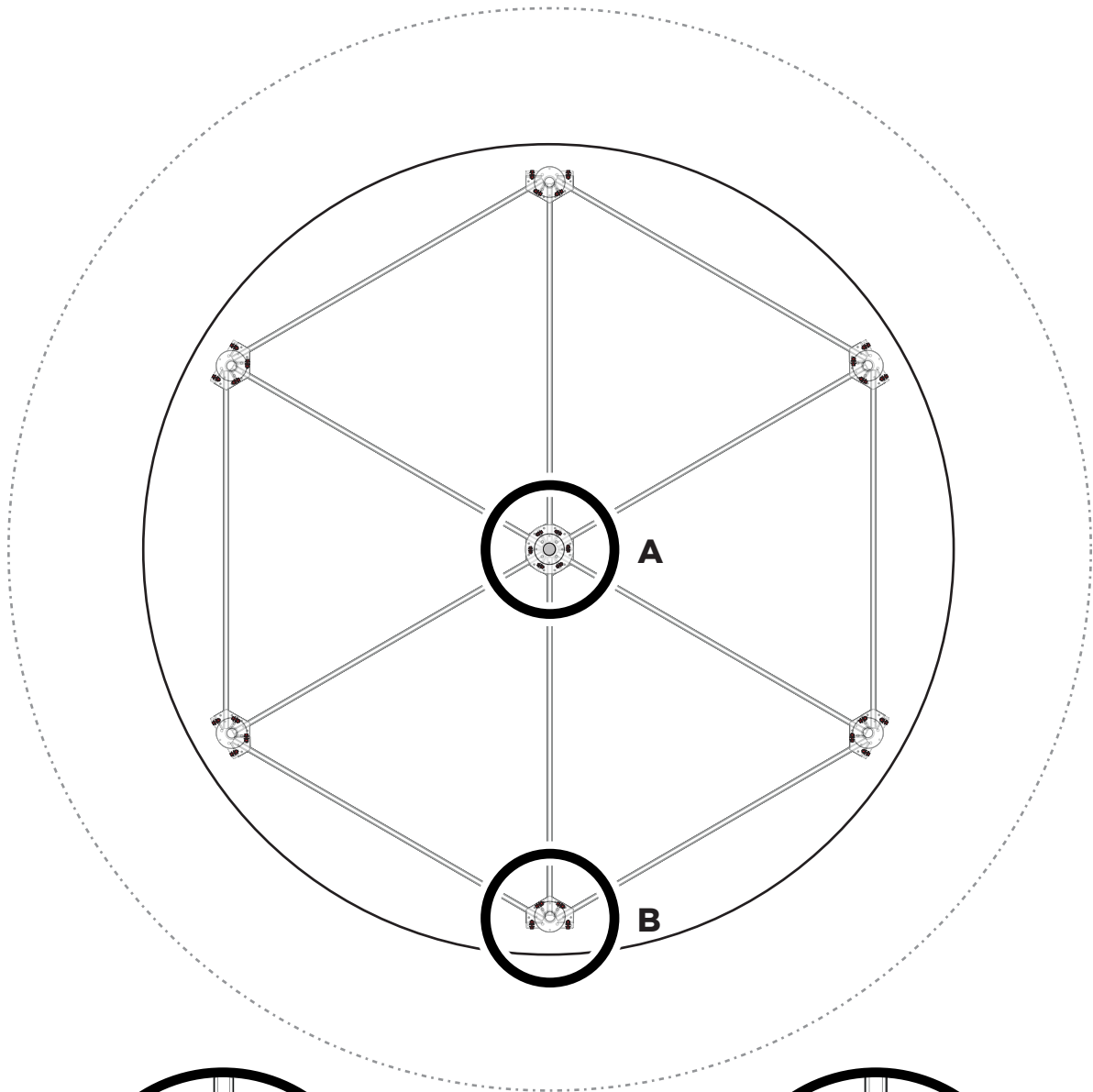
D

E

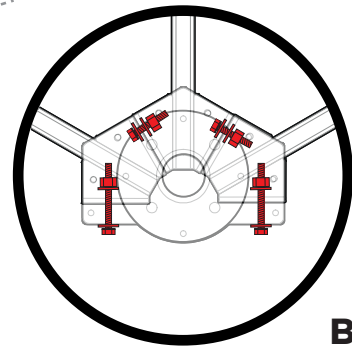
F



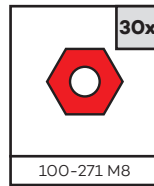
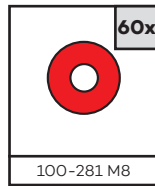
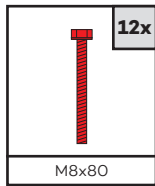
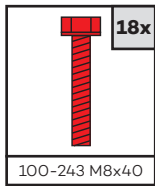
C.4



A



B



A

B

C

D

E

F

A

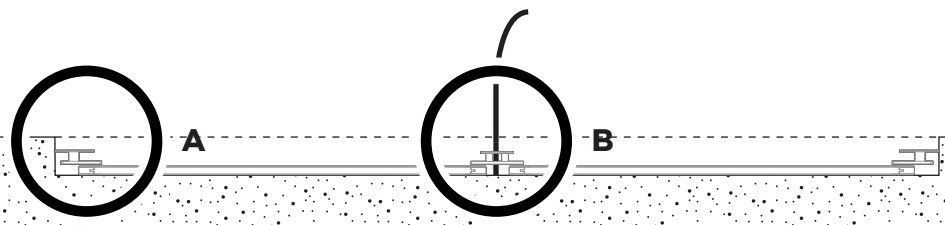
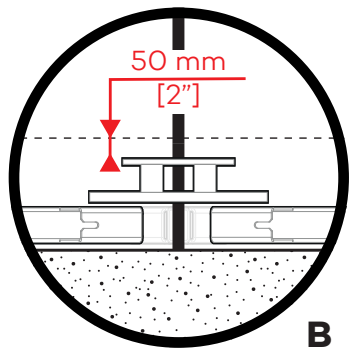
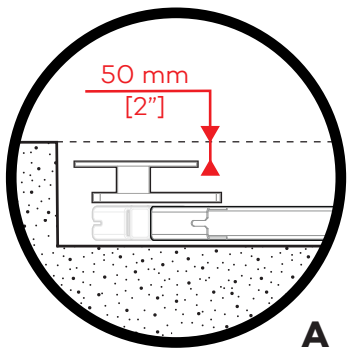
B

D

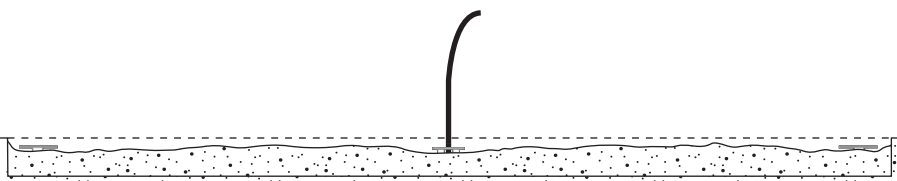
E

F

C.5

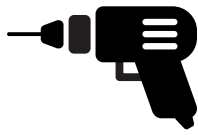


c.6

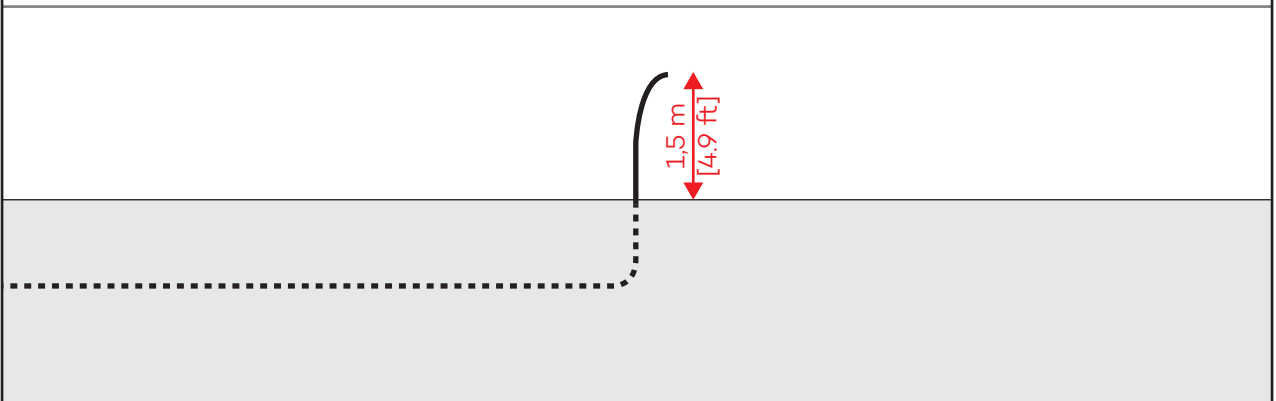
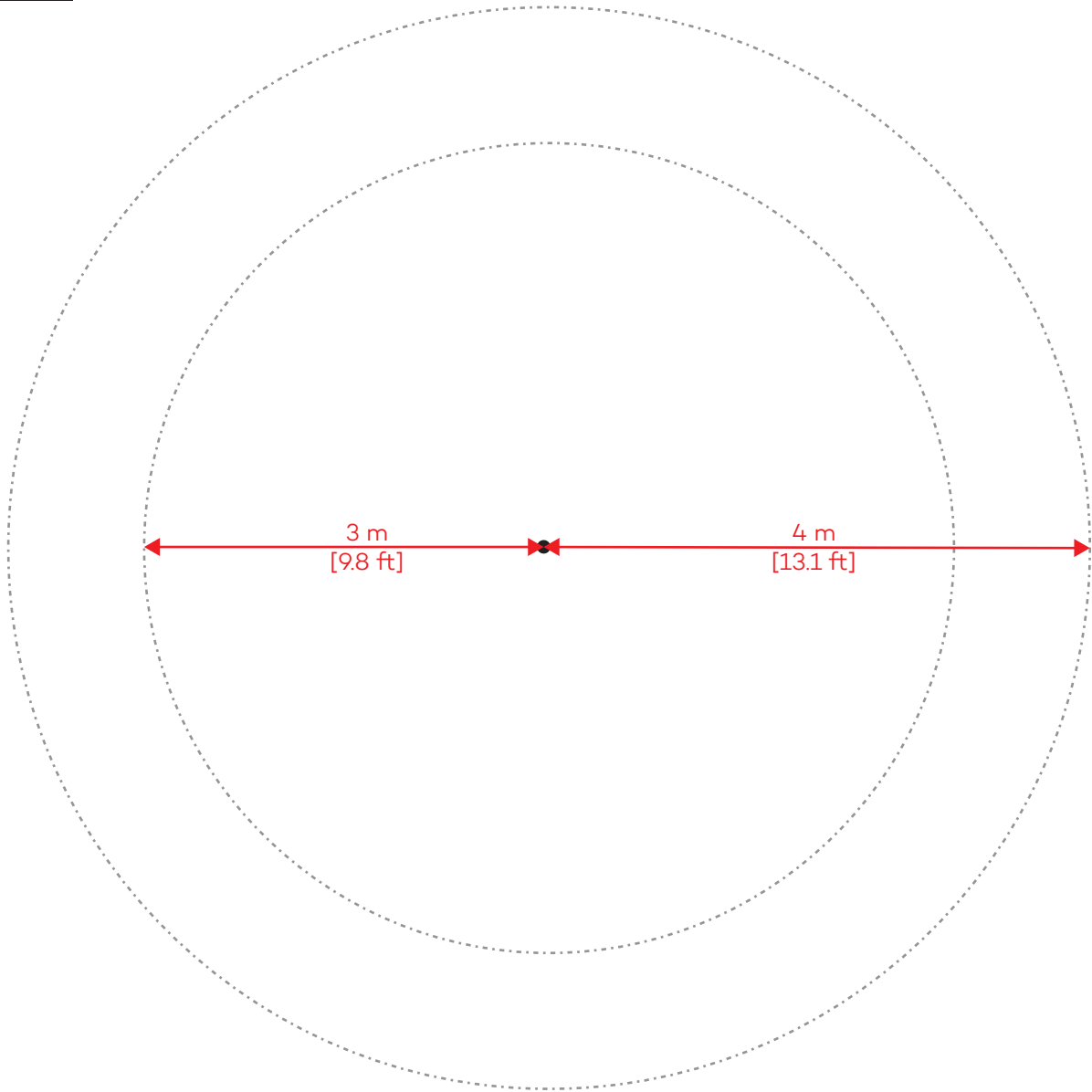


E

D



D.1



A

B

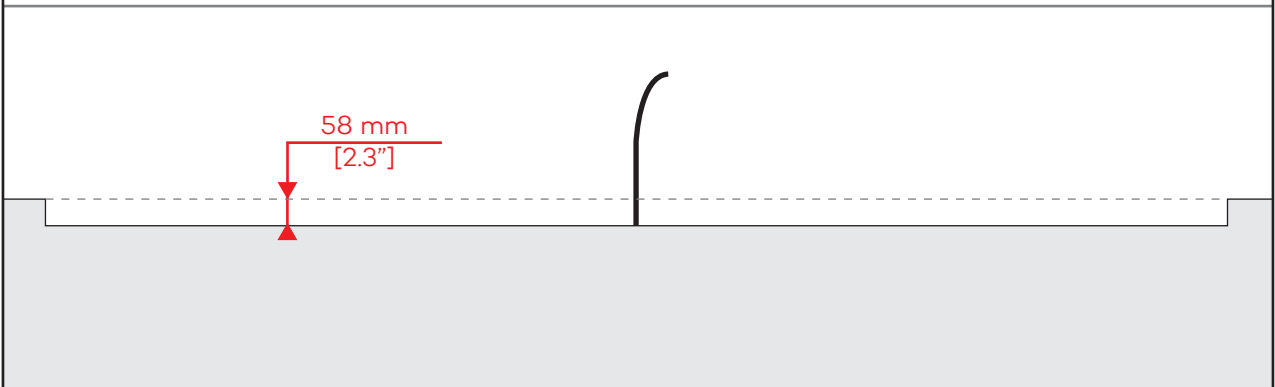
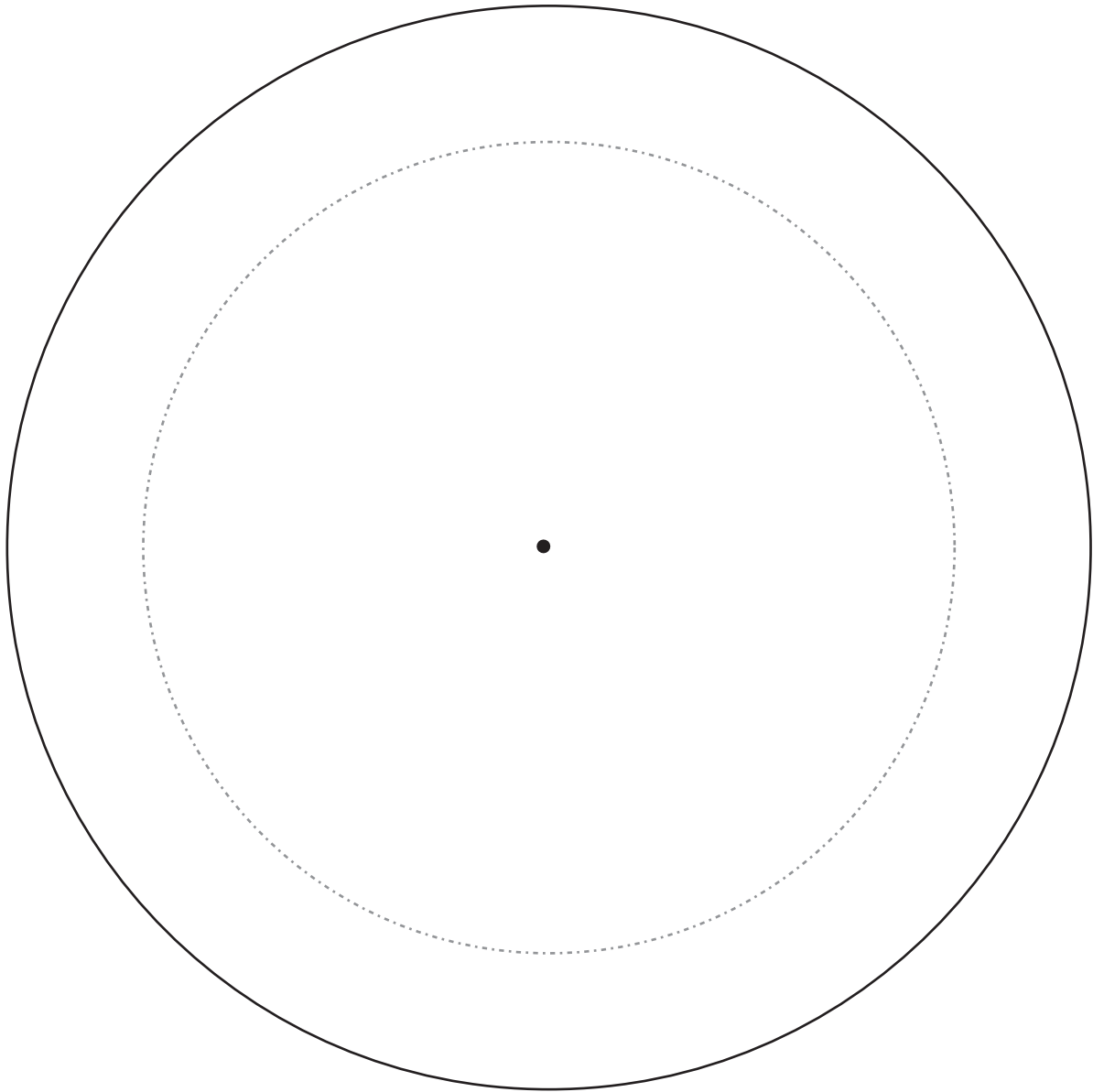
C

D

E

F

D.2



A

B

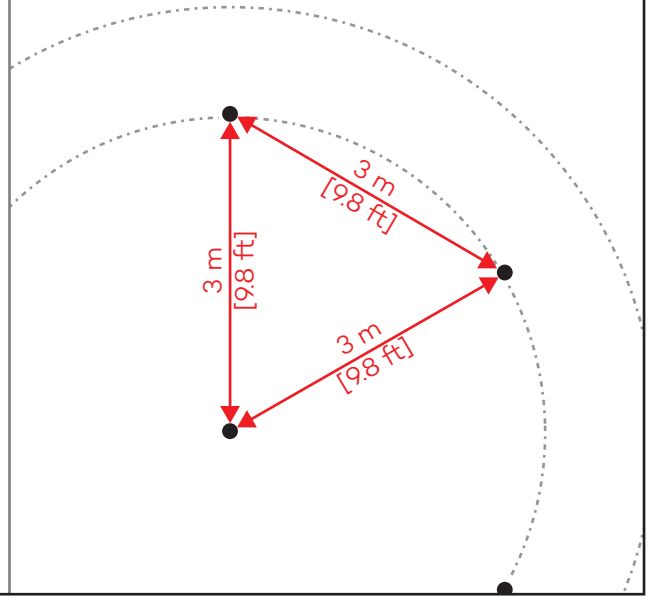
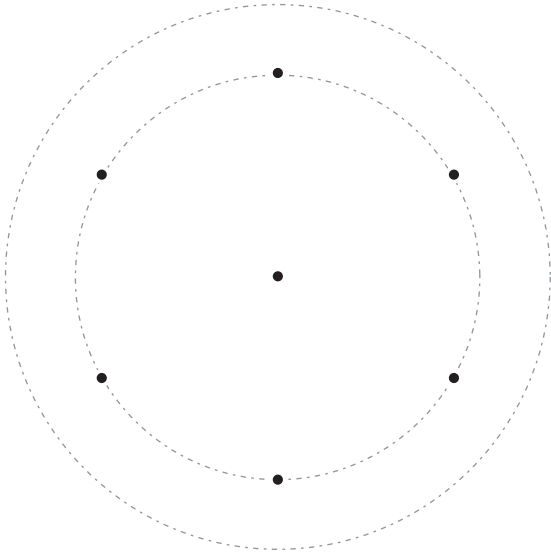
C

D

E

F

D.3



A

B

C

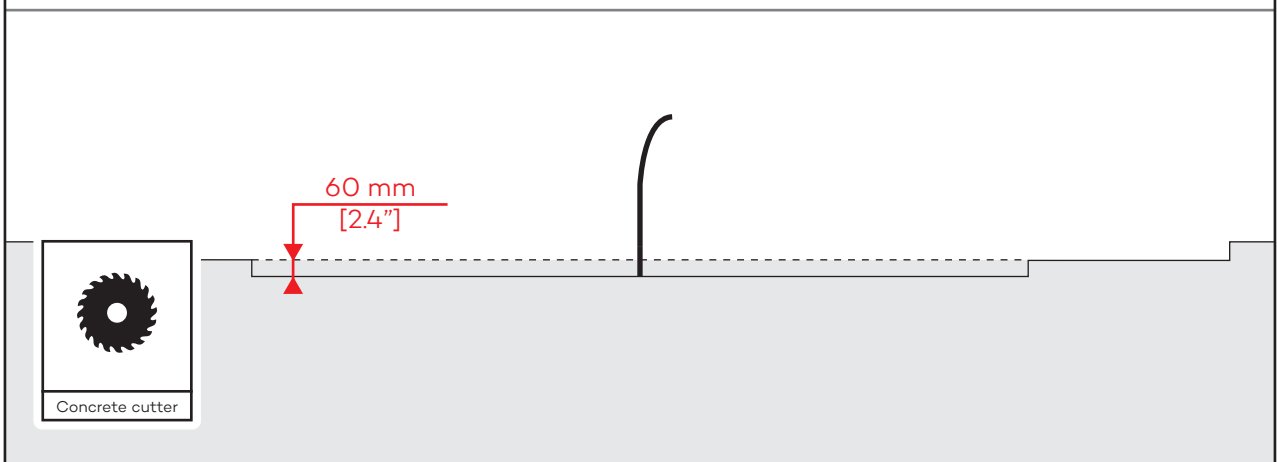
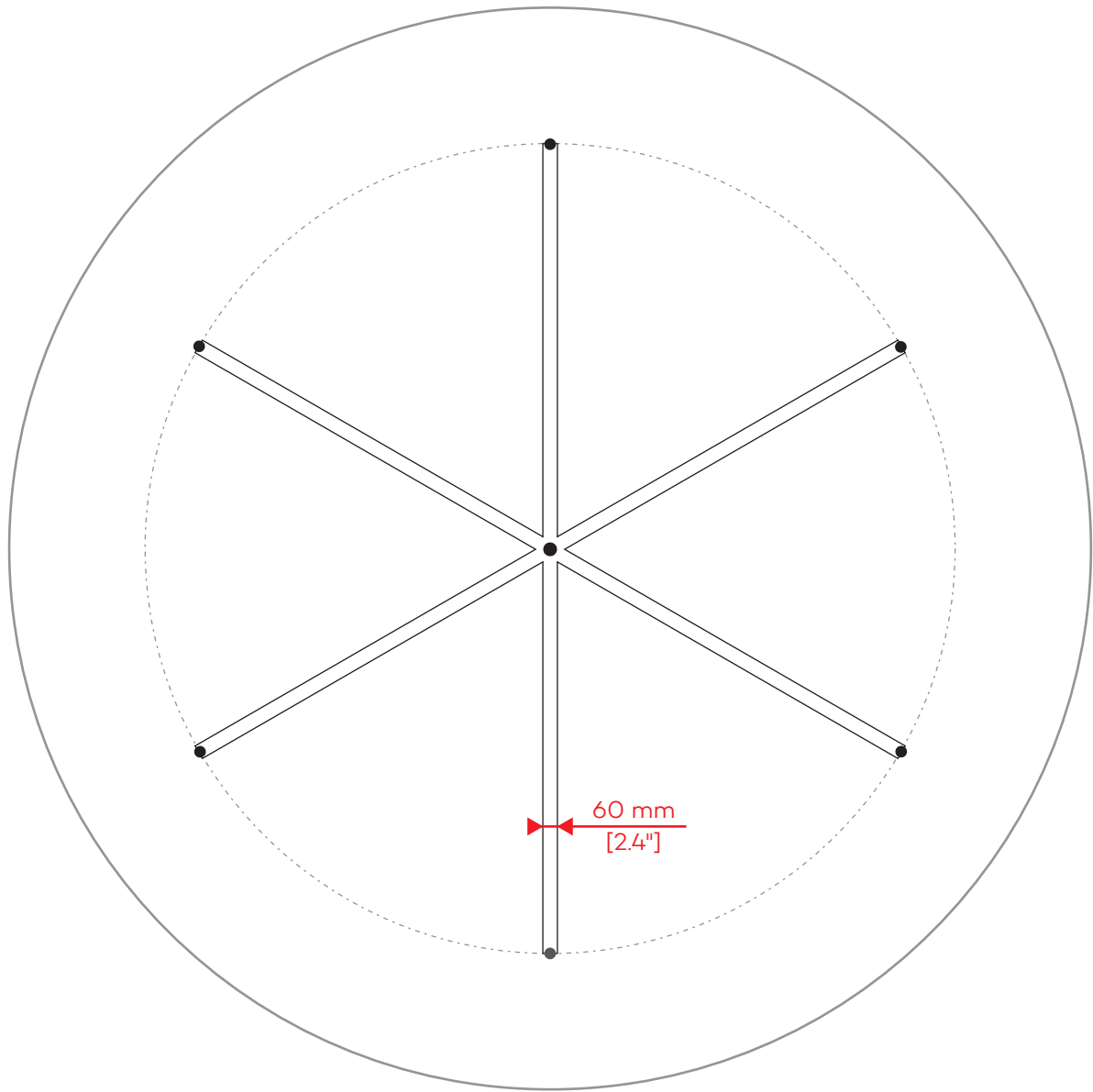
D

E

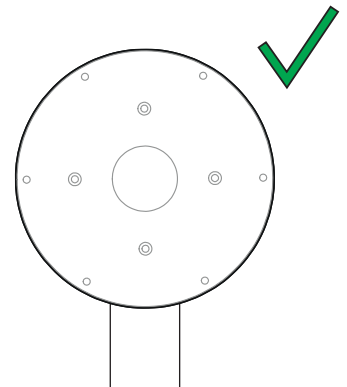
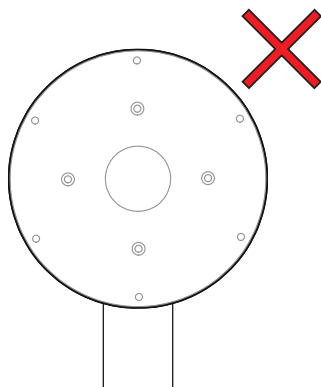
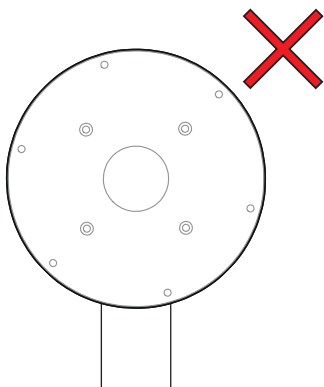
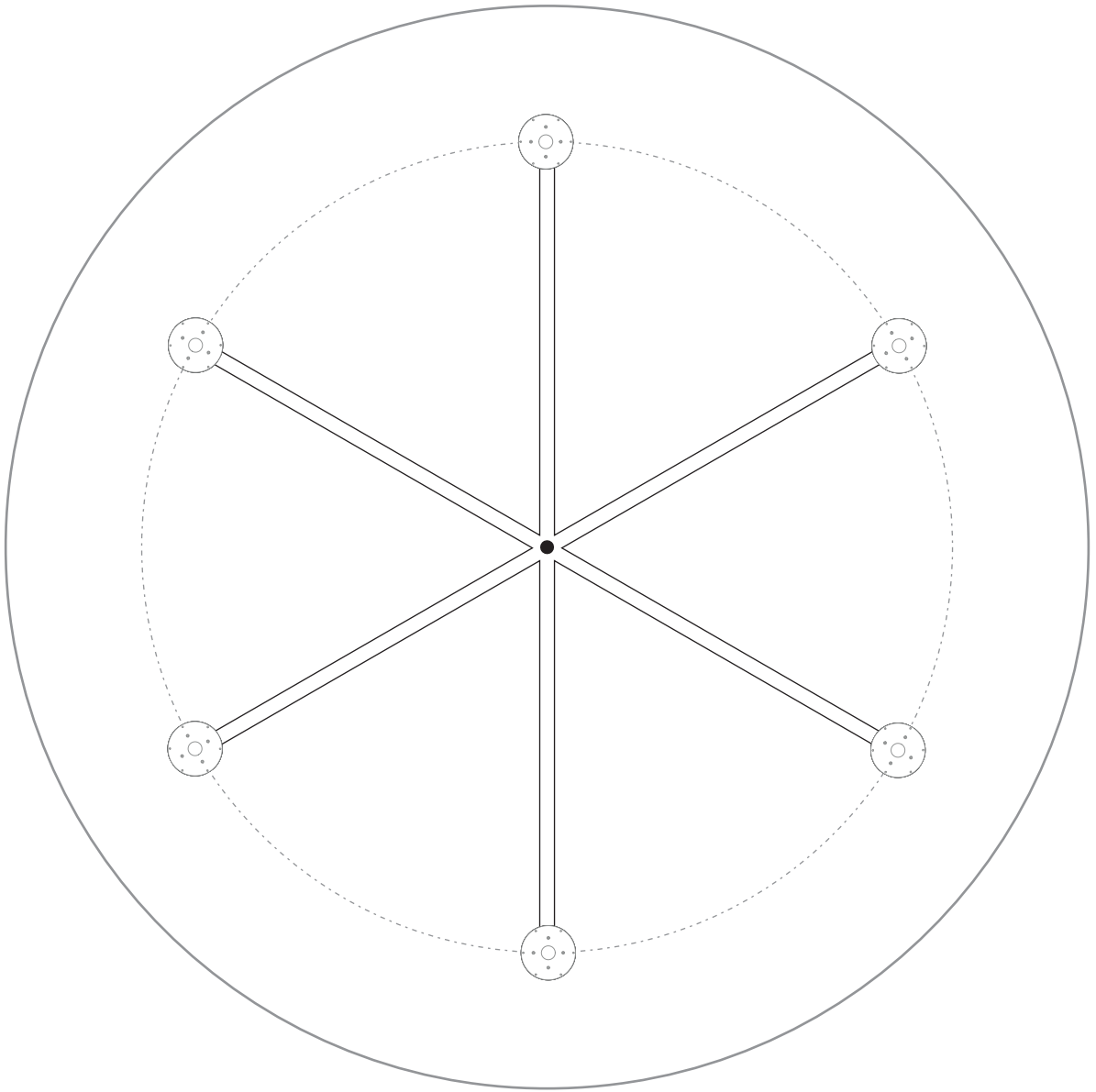
F

D.4

A
B
C
D
E
F



D.5



A

B

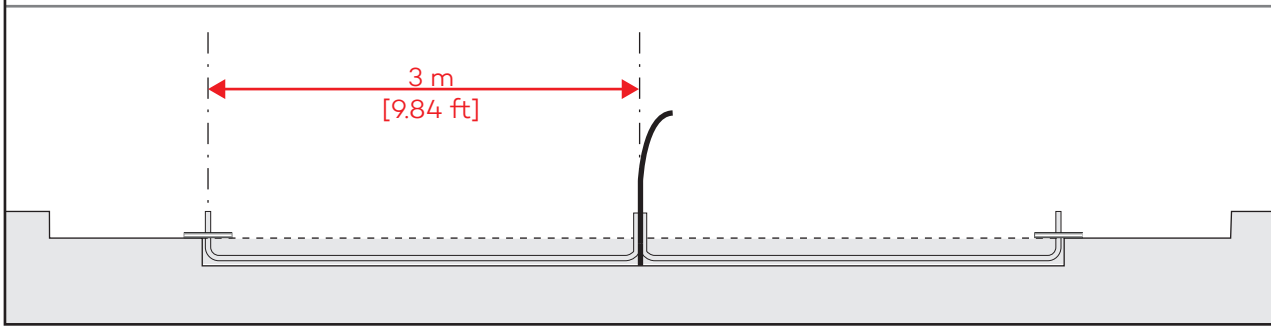
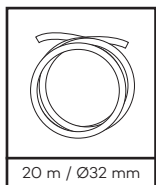
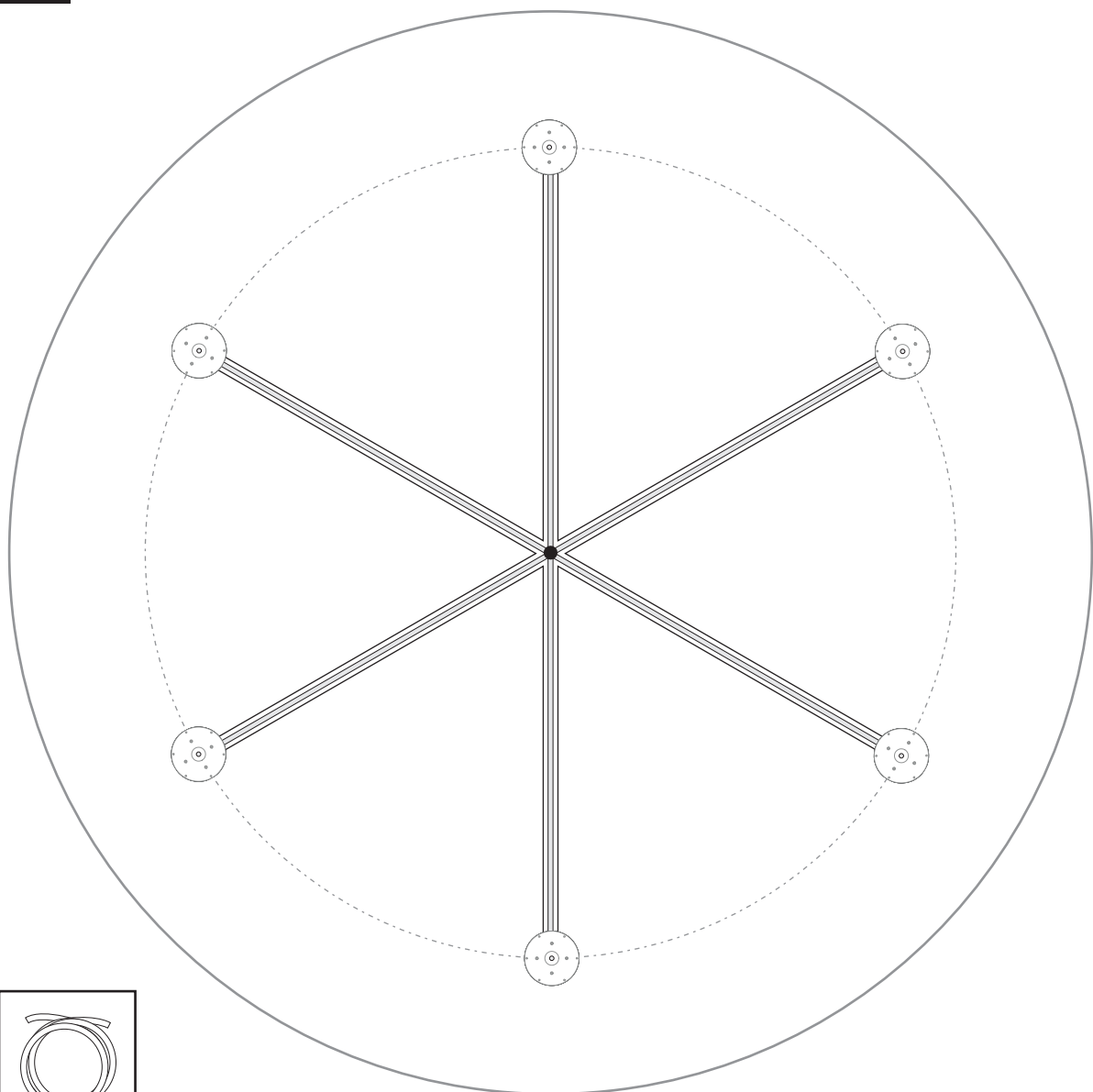
C

D

E

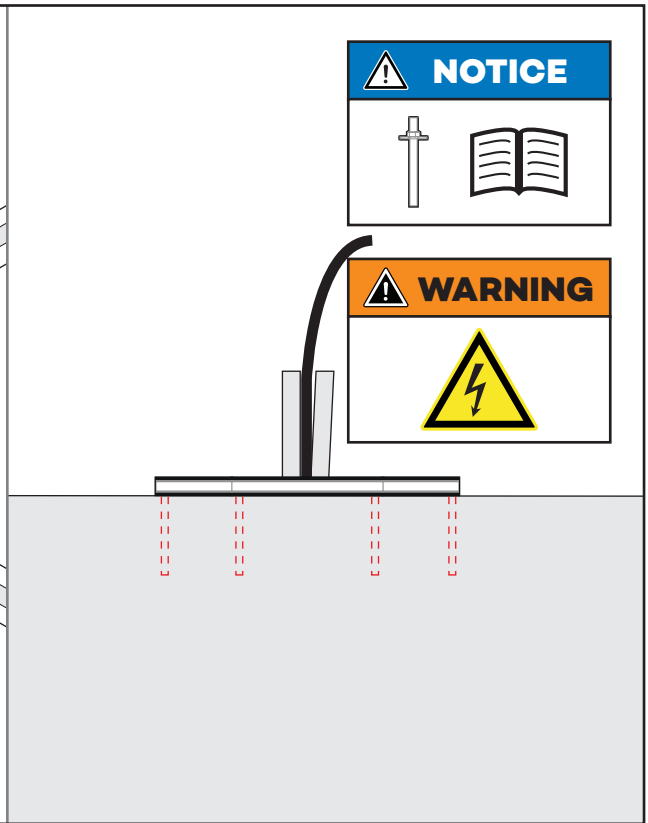
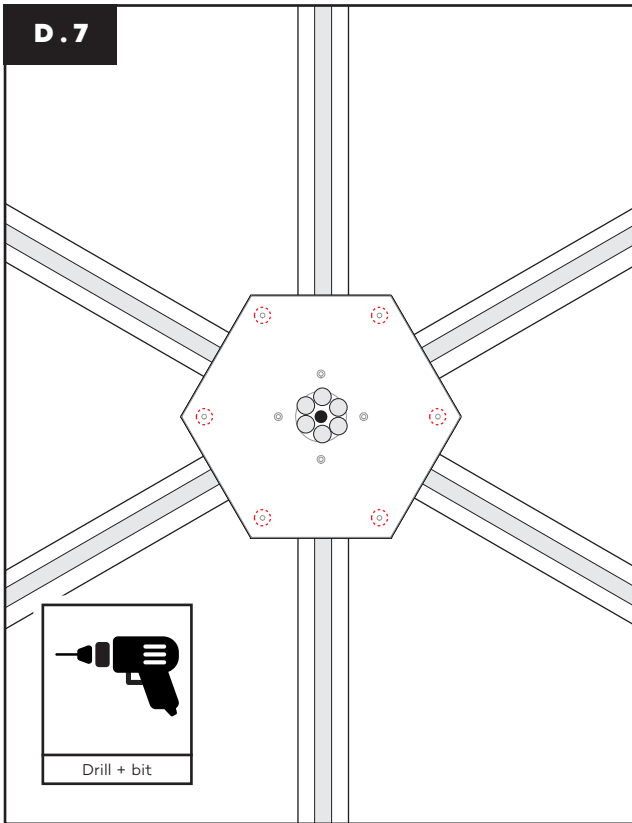
F

D.6

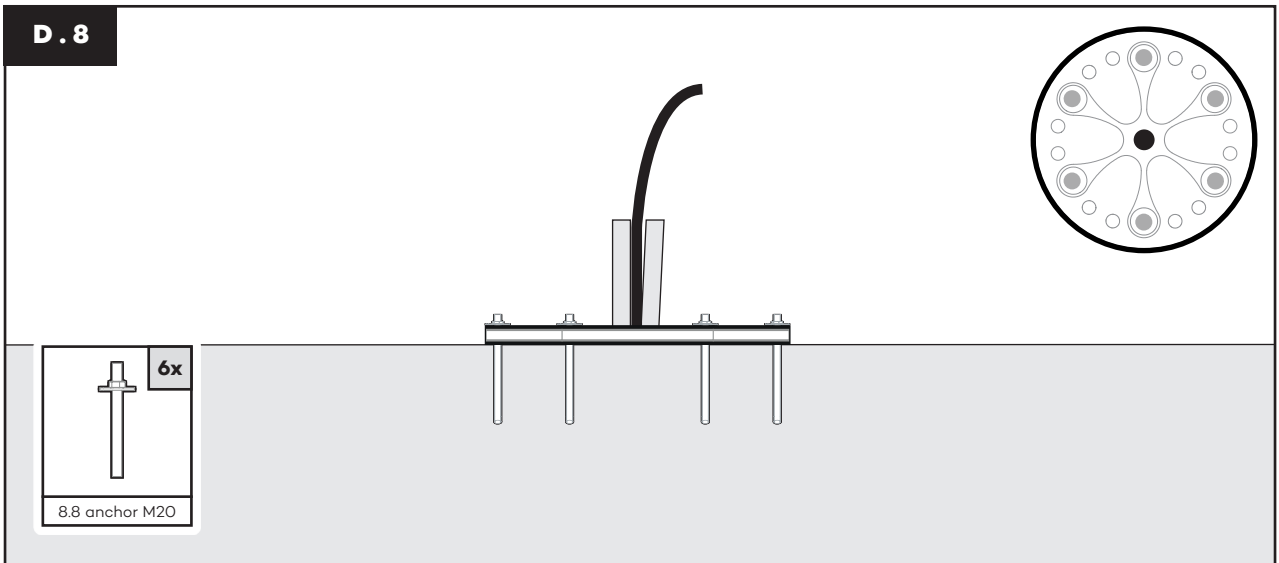


A
B
C
D
E
F

D.7



D.8



A
B
C
D
E
F

A

B

C

D

E

F

D.9

Drill + bit

NOTICE

D.10

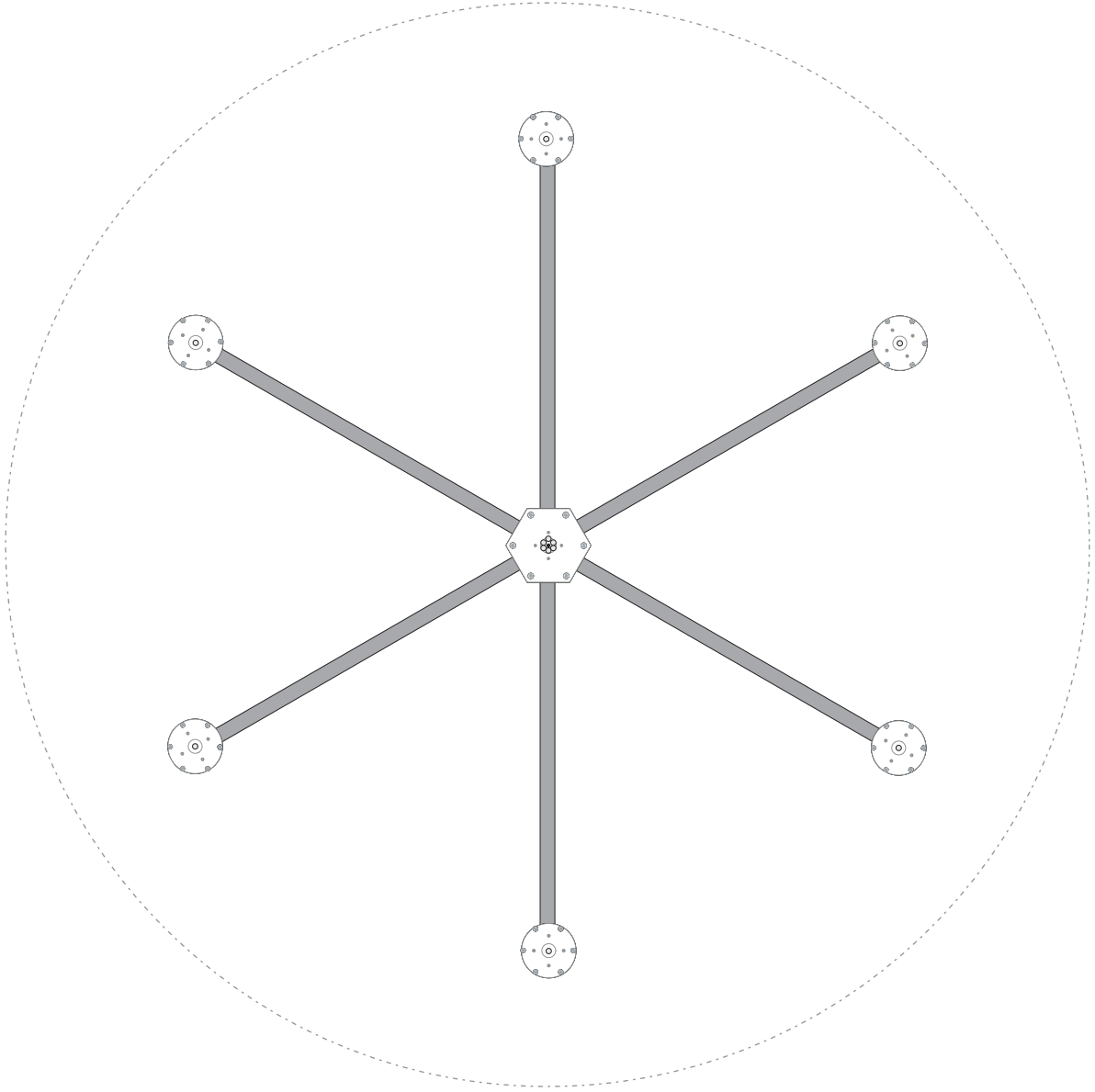
6x

8.8 anchor M20

D.11

D.9 D.10

D.12



D

A

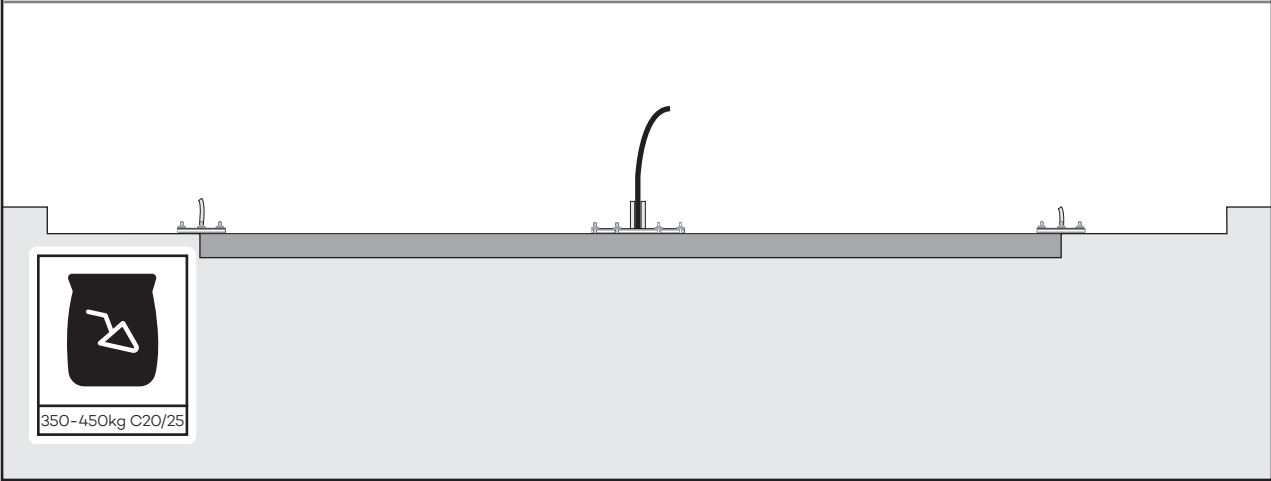
B

C

D

E

F



A

B

C

D

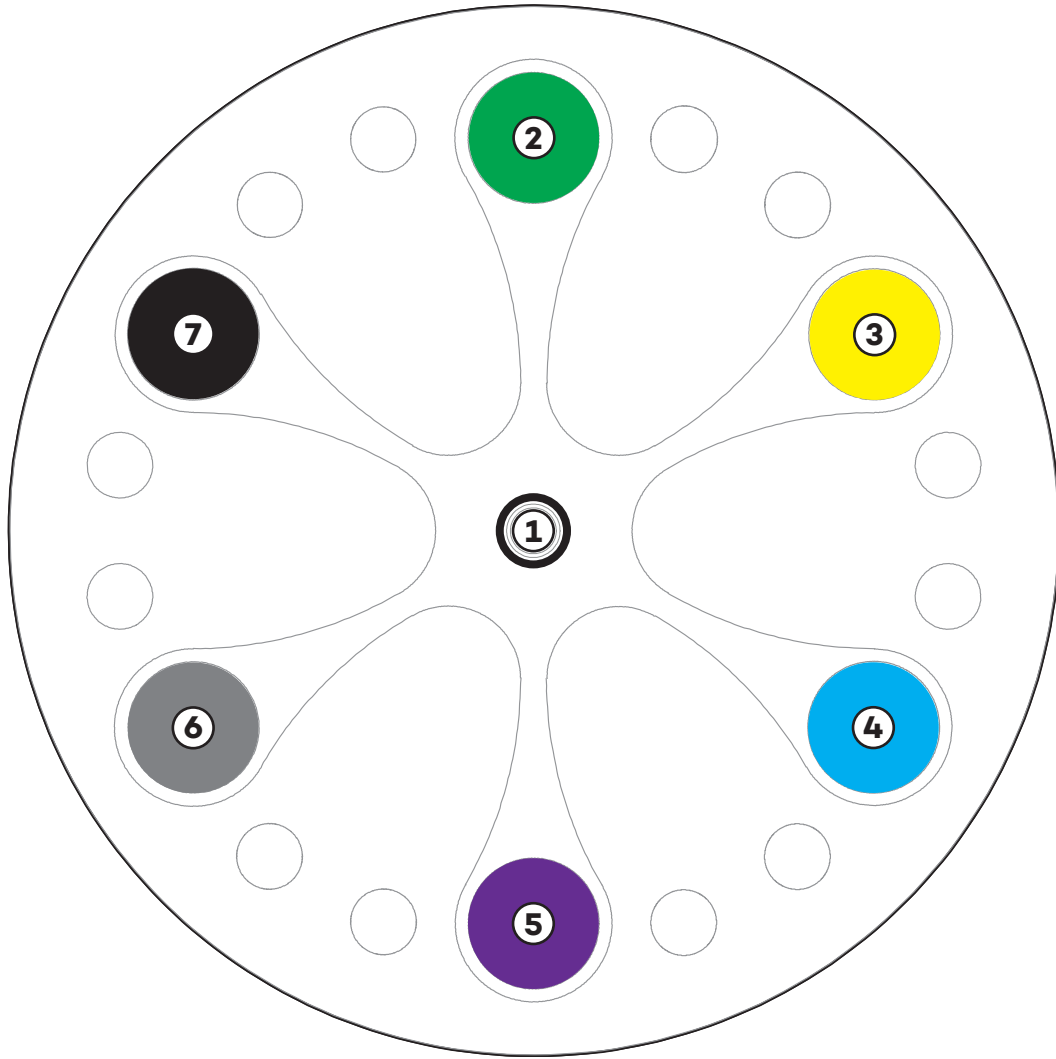
E

F

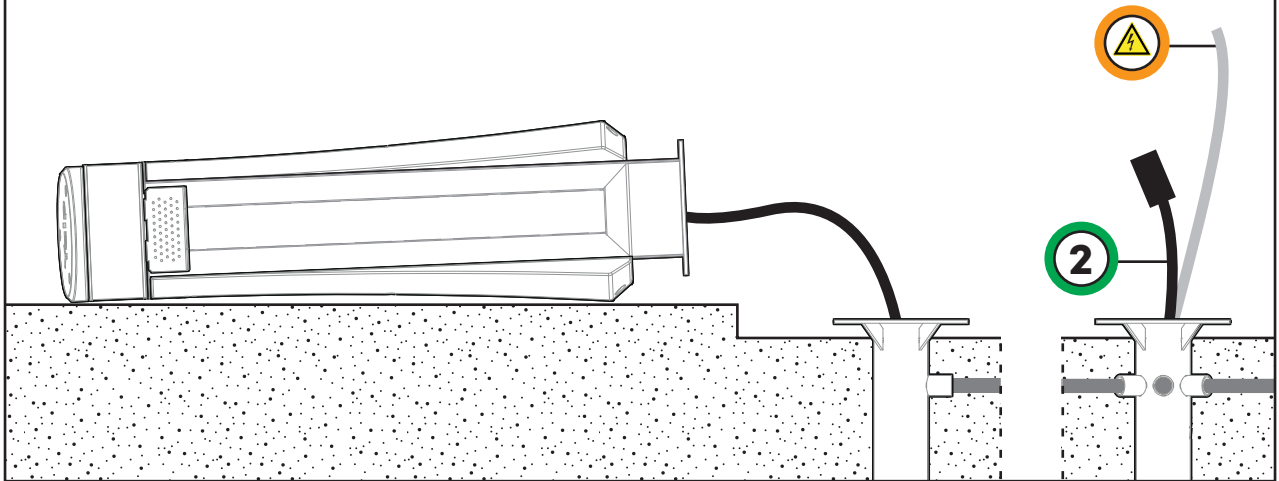
E



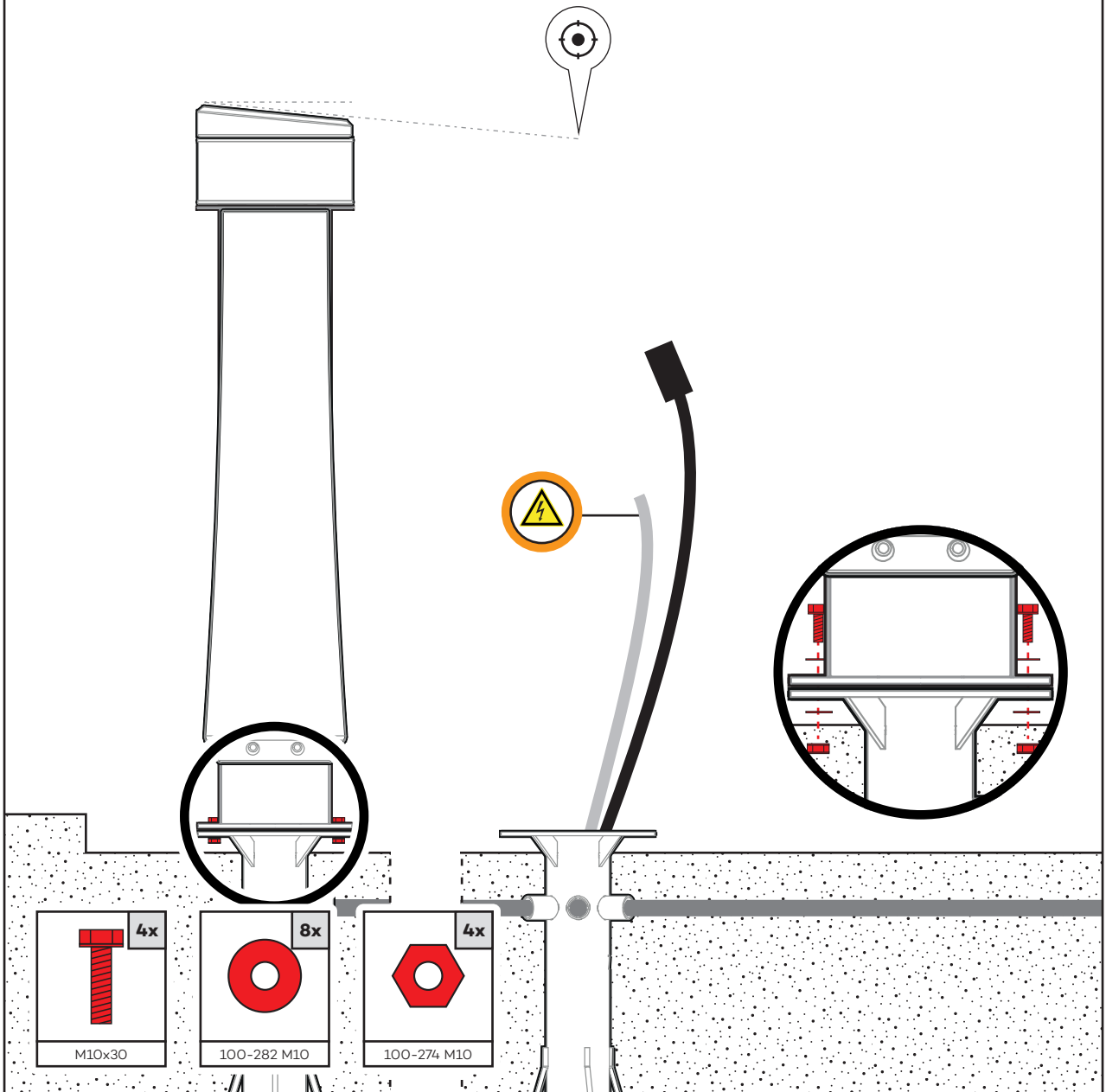
E.1



E.2



E.3



A

B

C

D

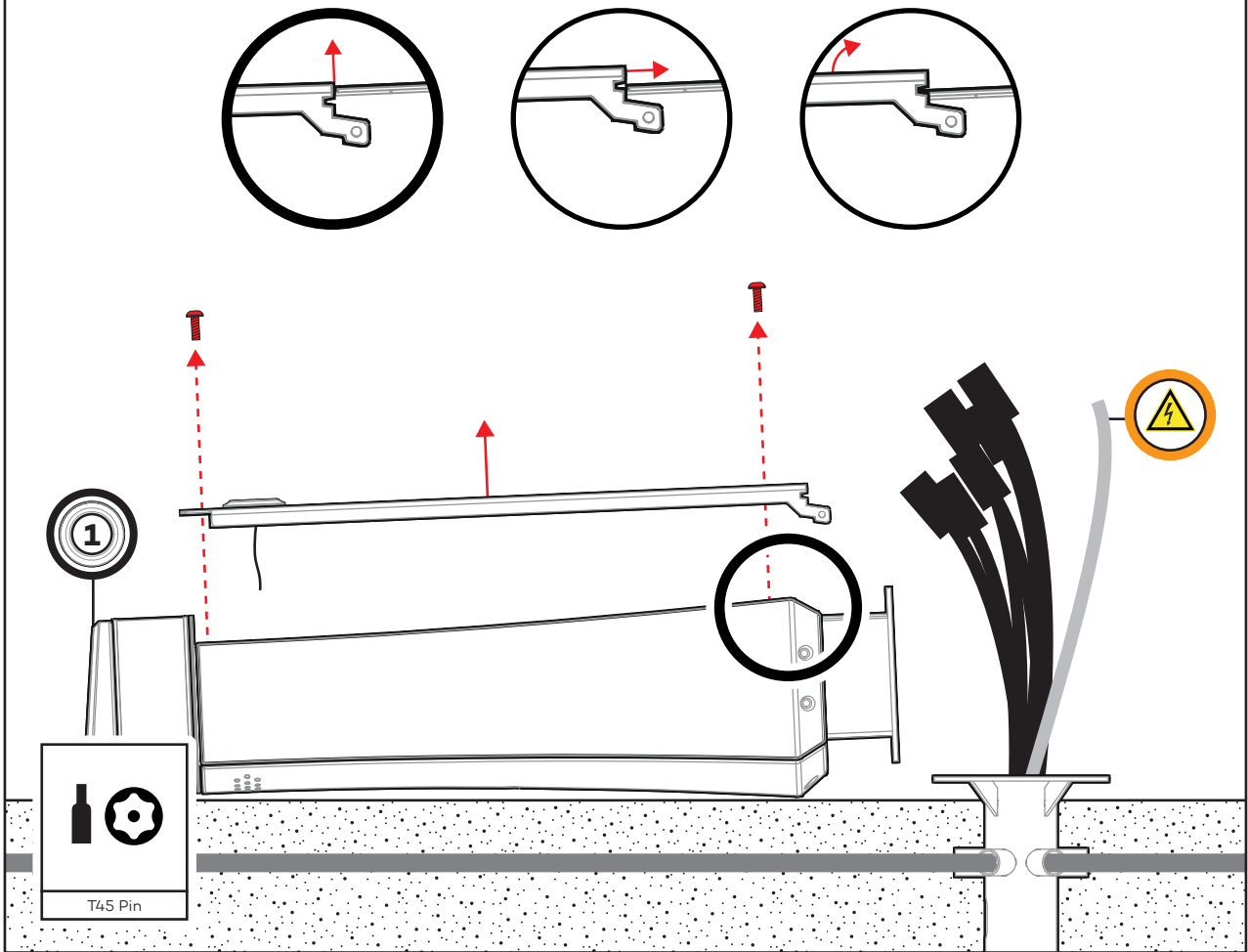
E

F

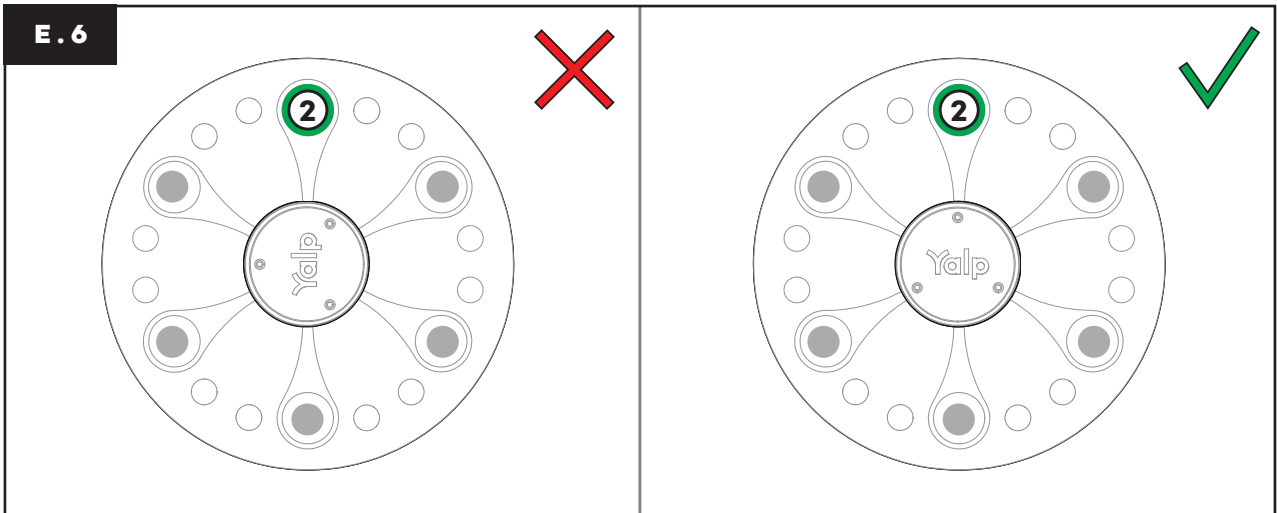
E.4



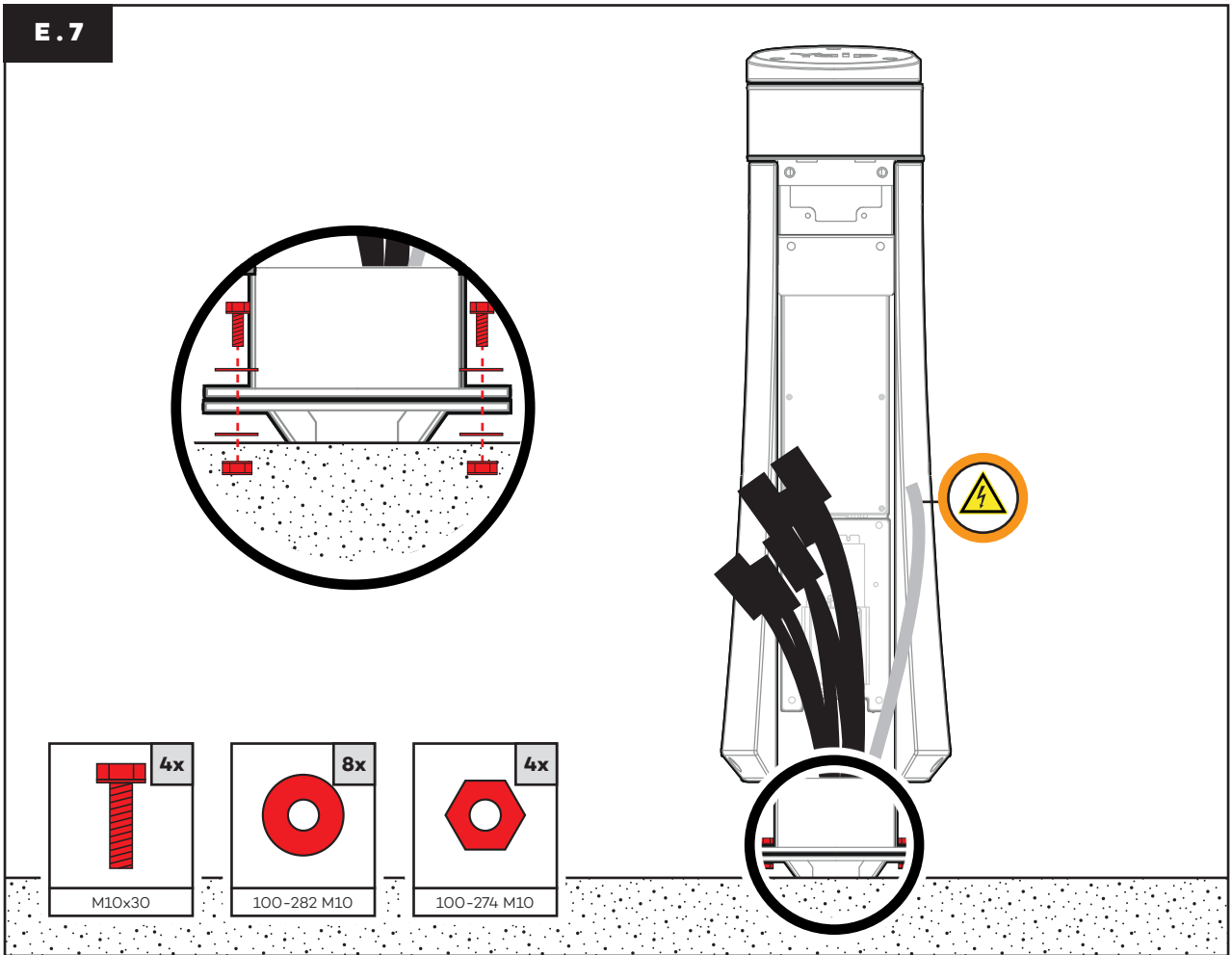
E.5



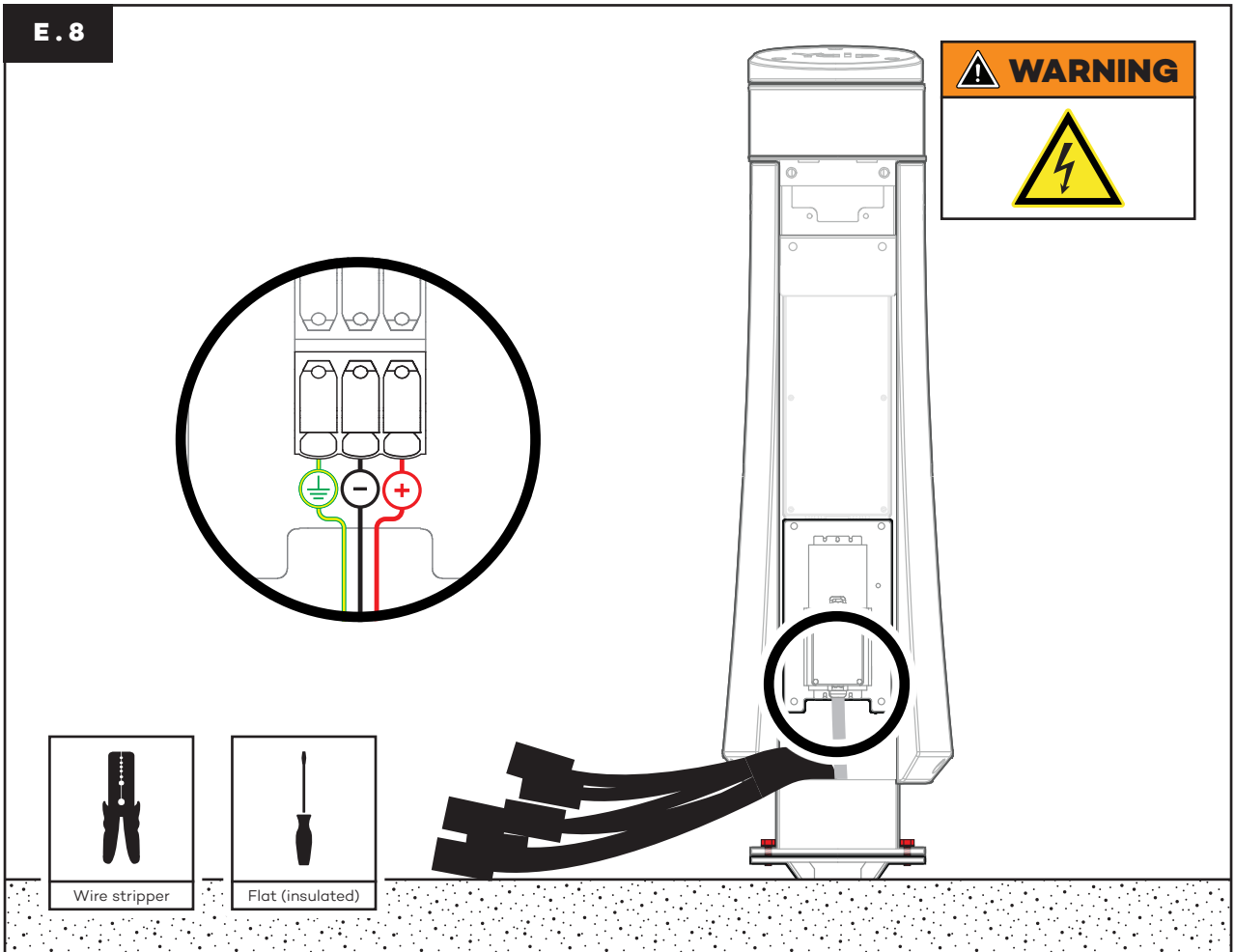
E.6



E.7



E.8



A

B

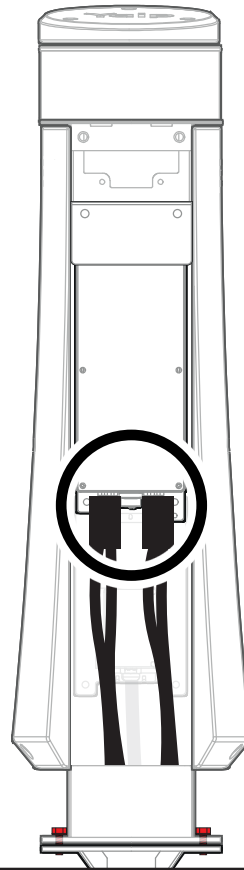
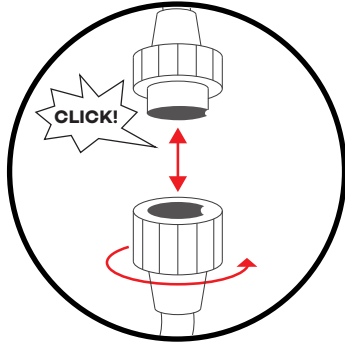
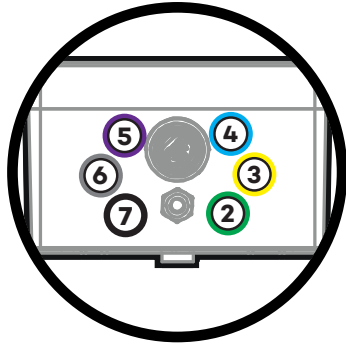
C

D

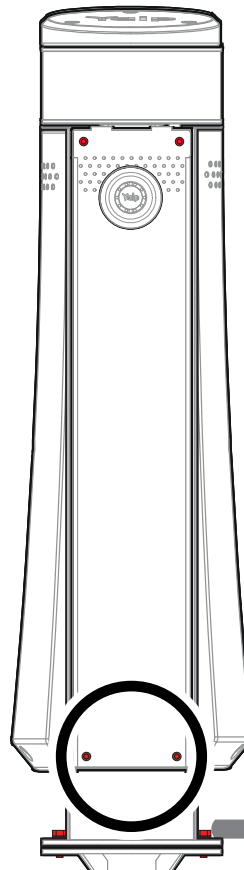
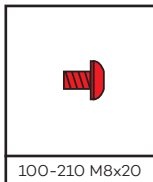
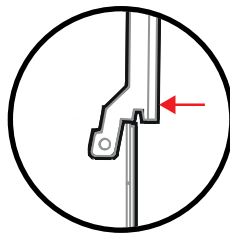
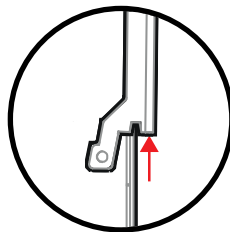
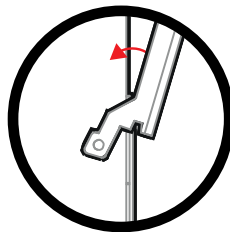
E

F

E.9

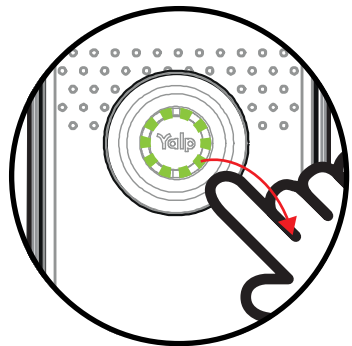
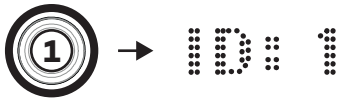
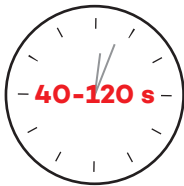
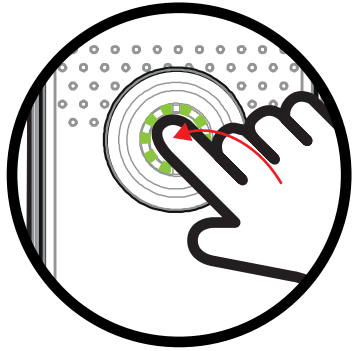


E.10

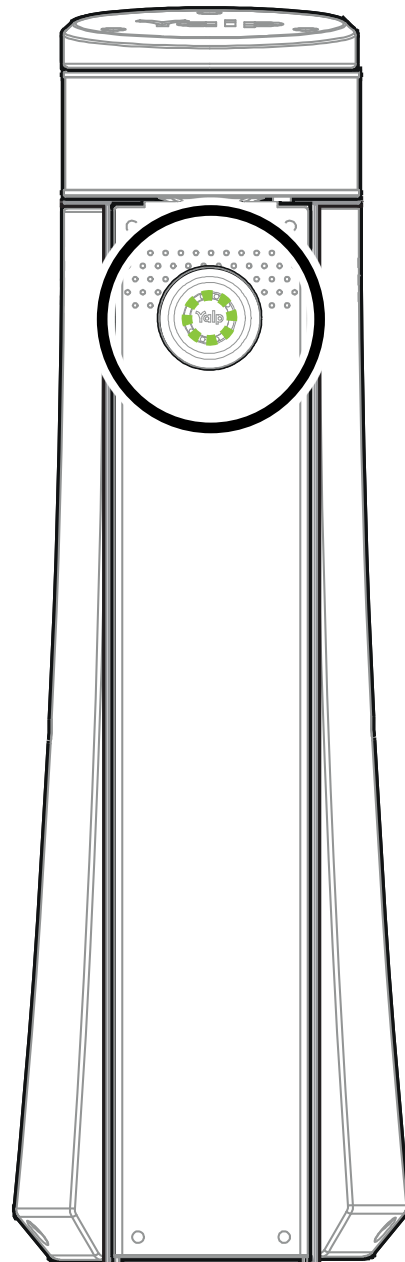


 **NOTICE**

my.yalp.com



⋮



A

B

C

D

E

F

A

B

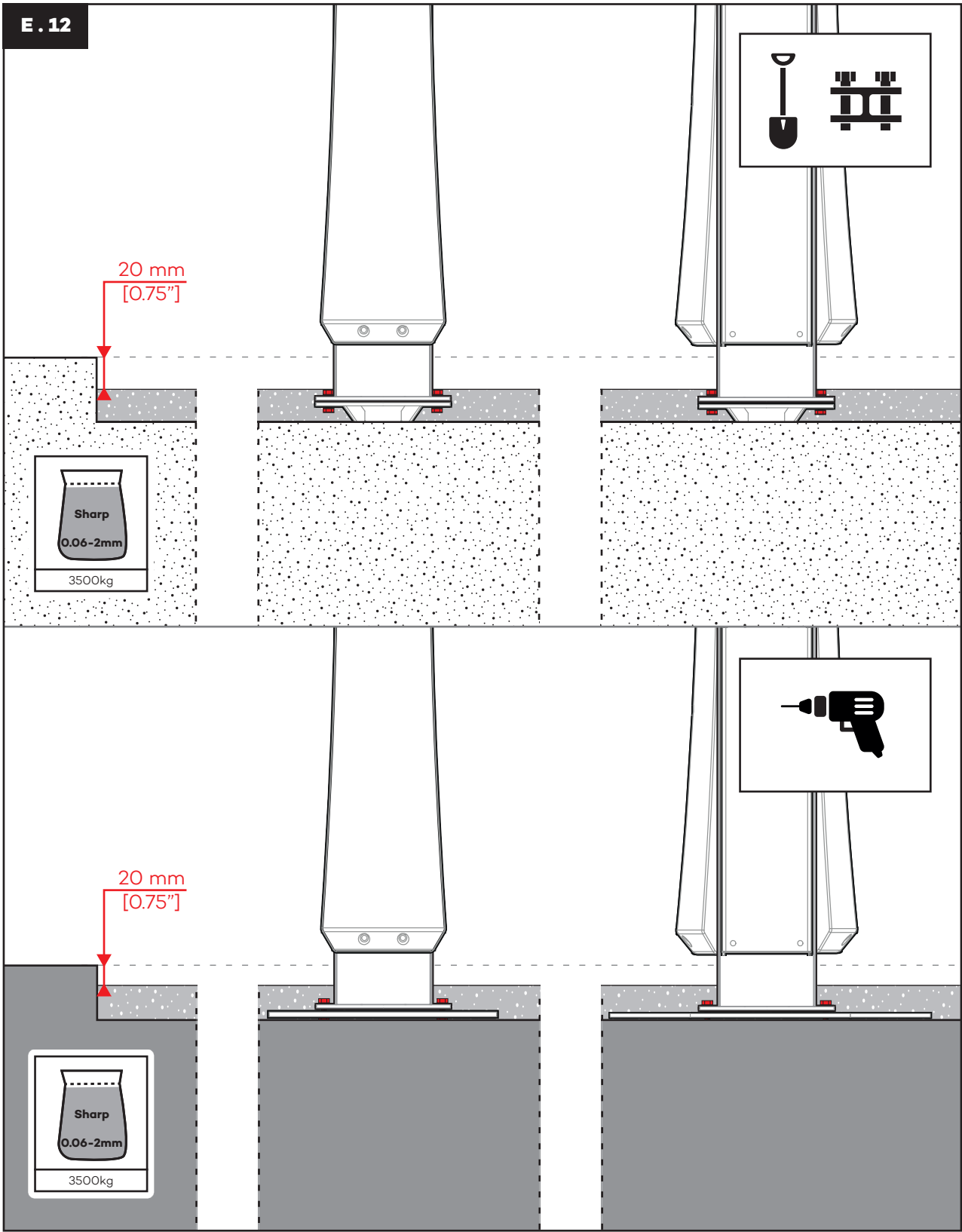
C

D

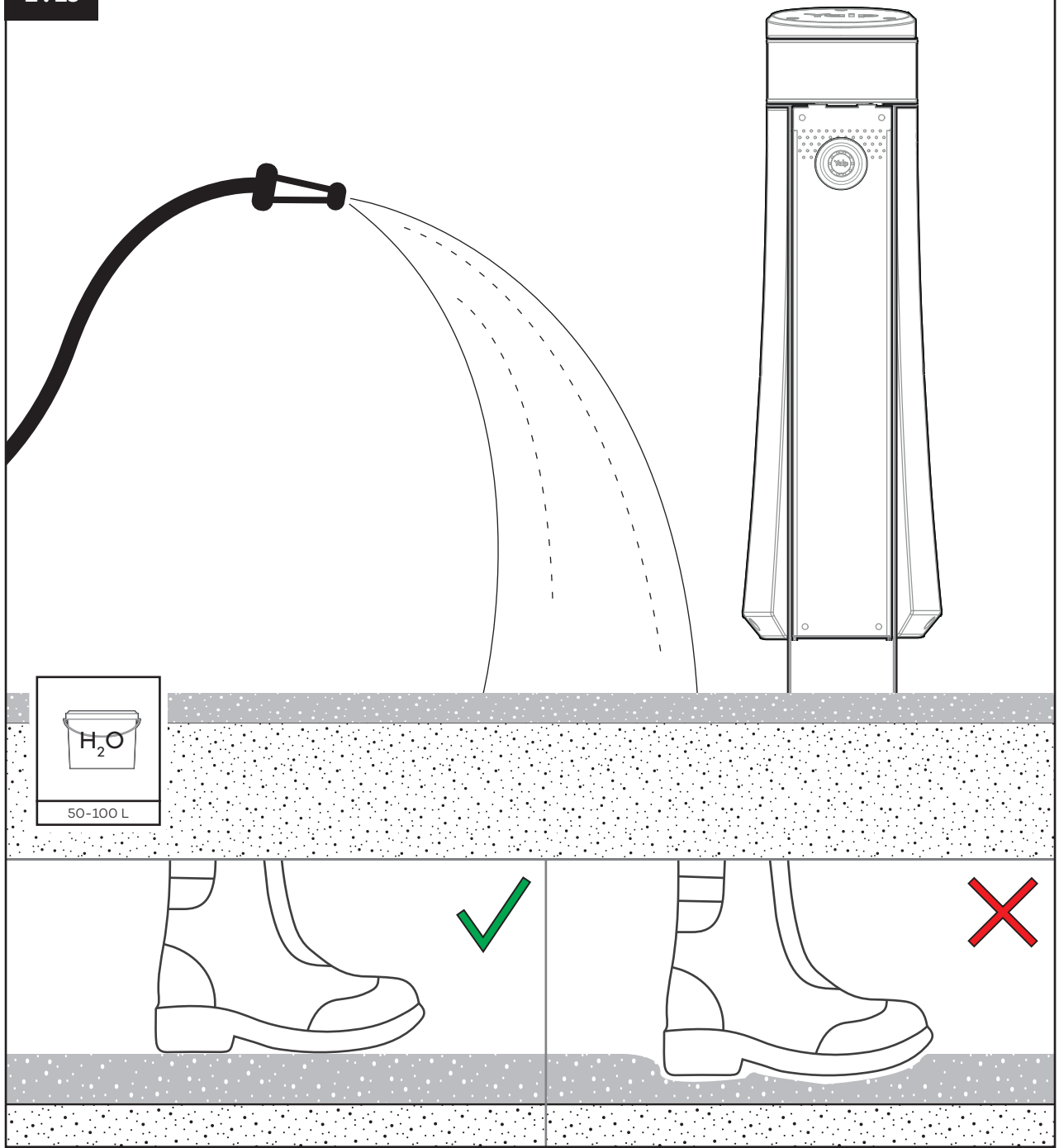
E

F

E. 12



E.13



A

B

C

D

E

F

A

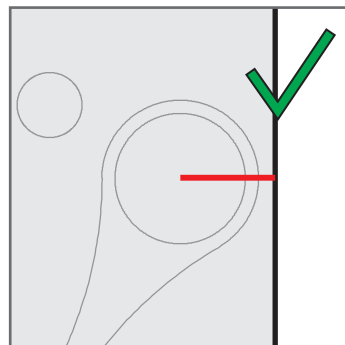
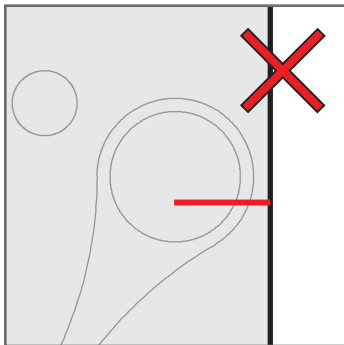
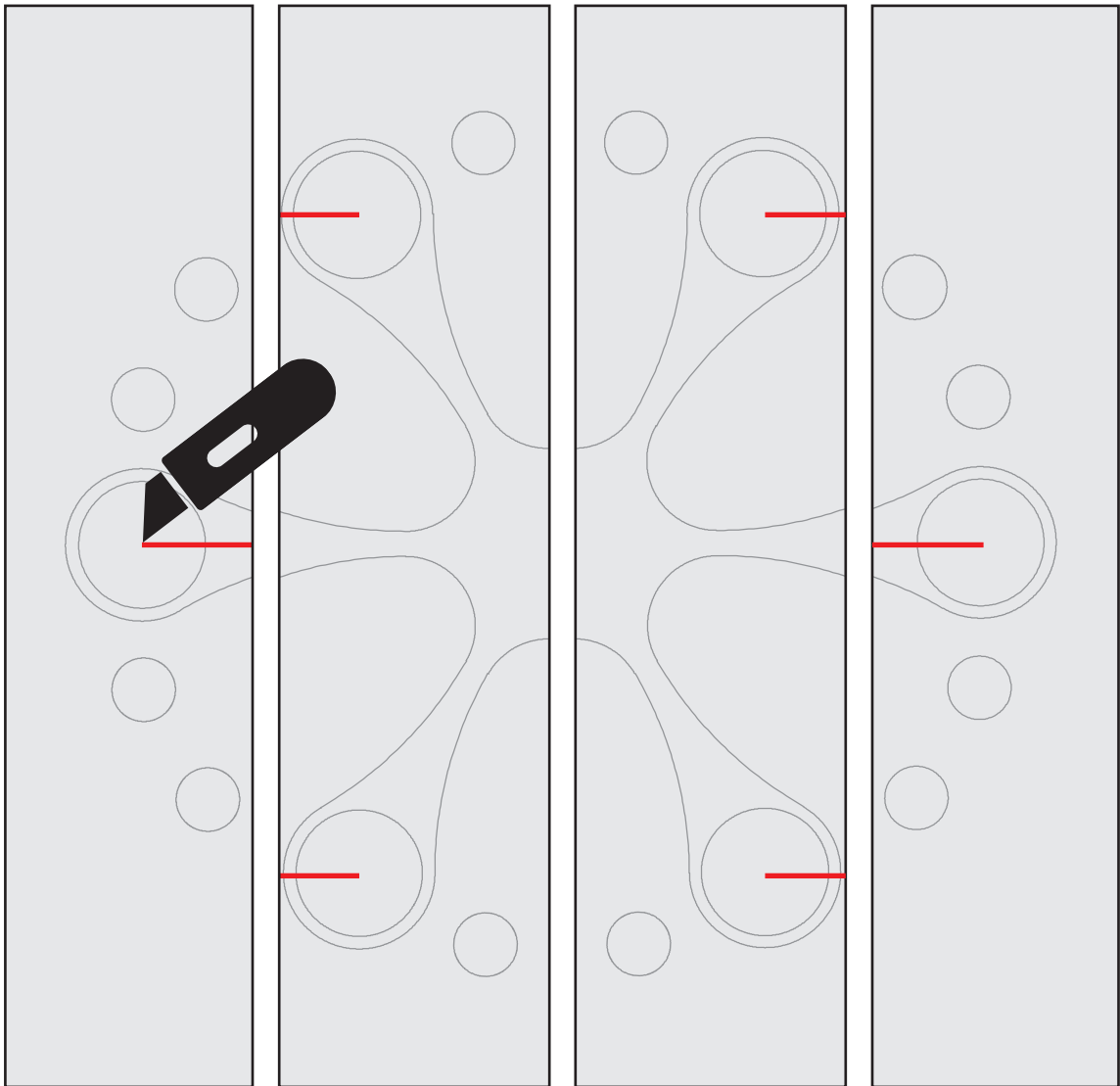
B

C

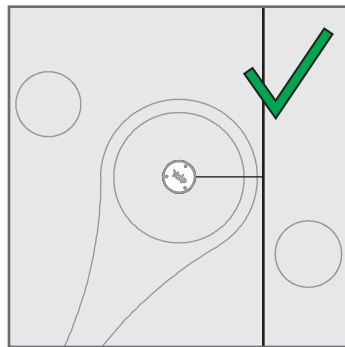
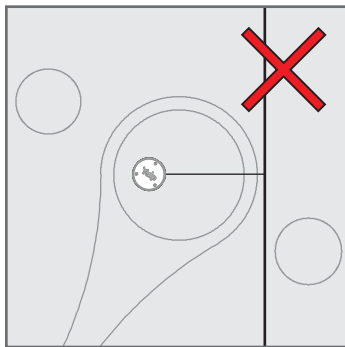
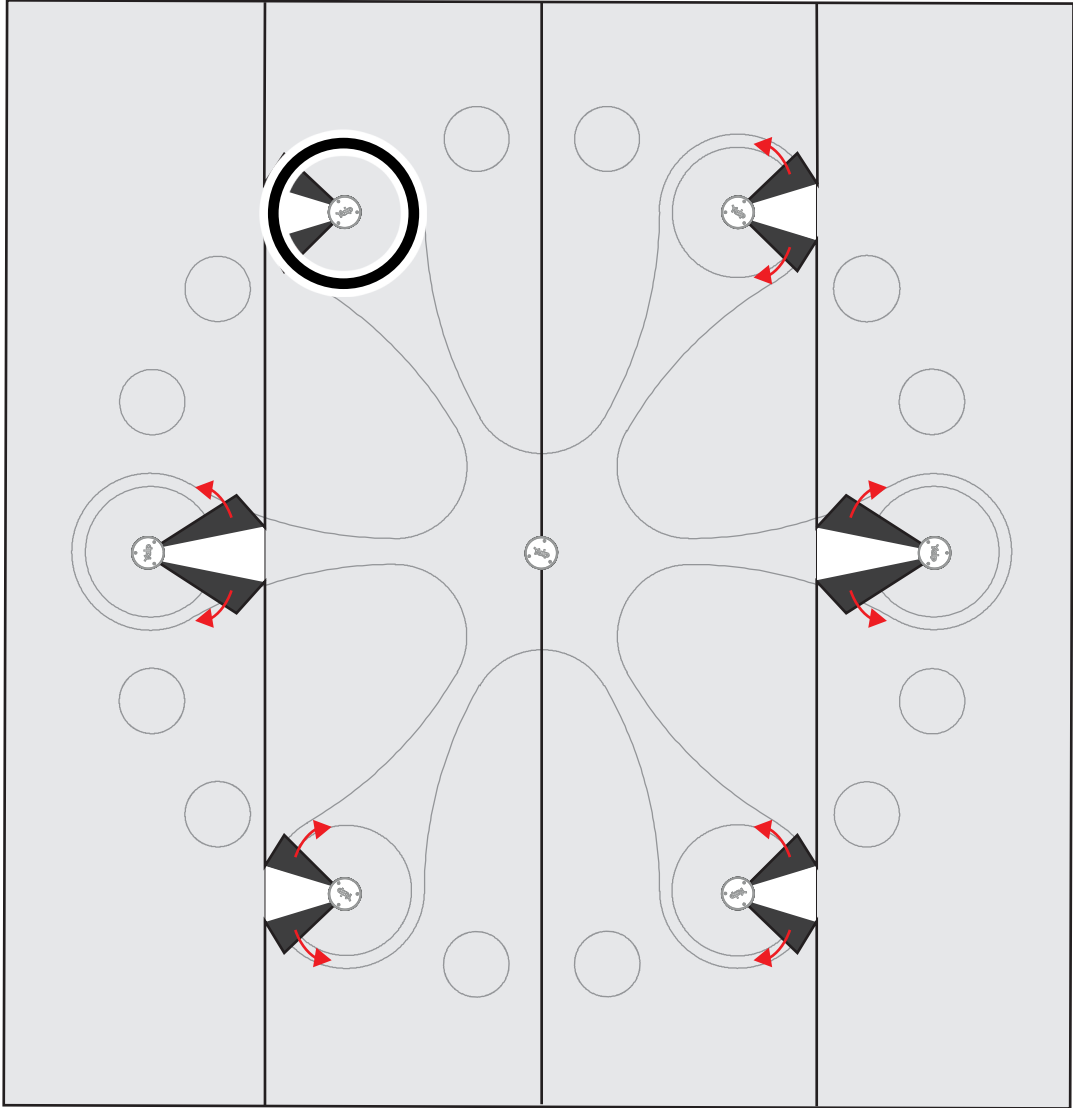
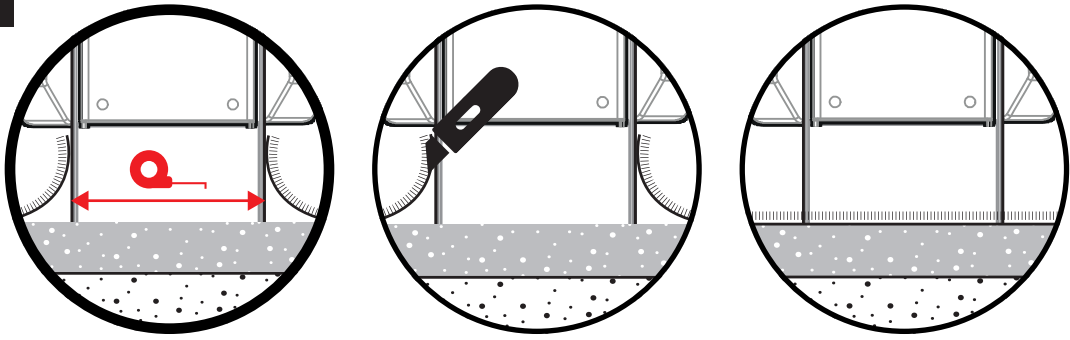
D

E

F



E.15



A

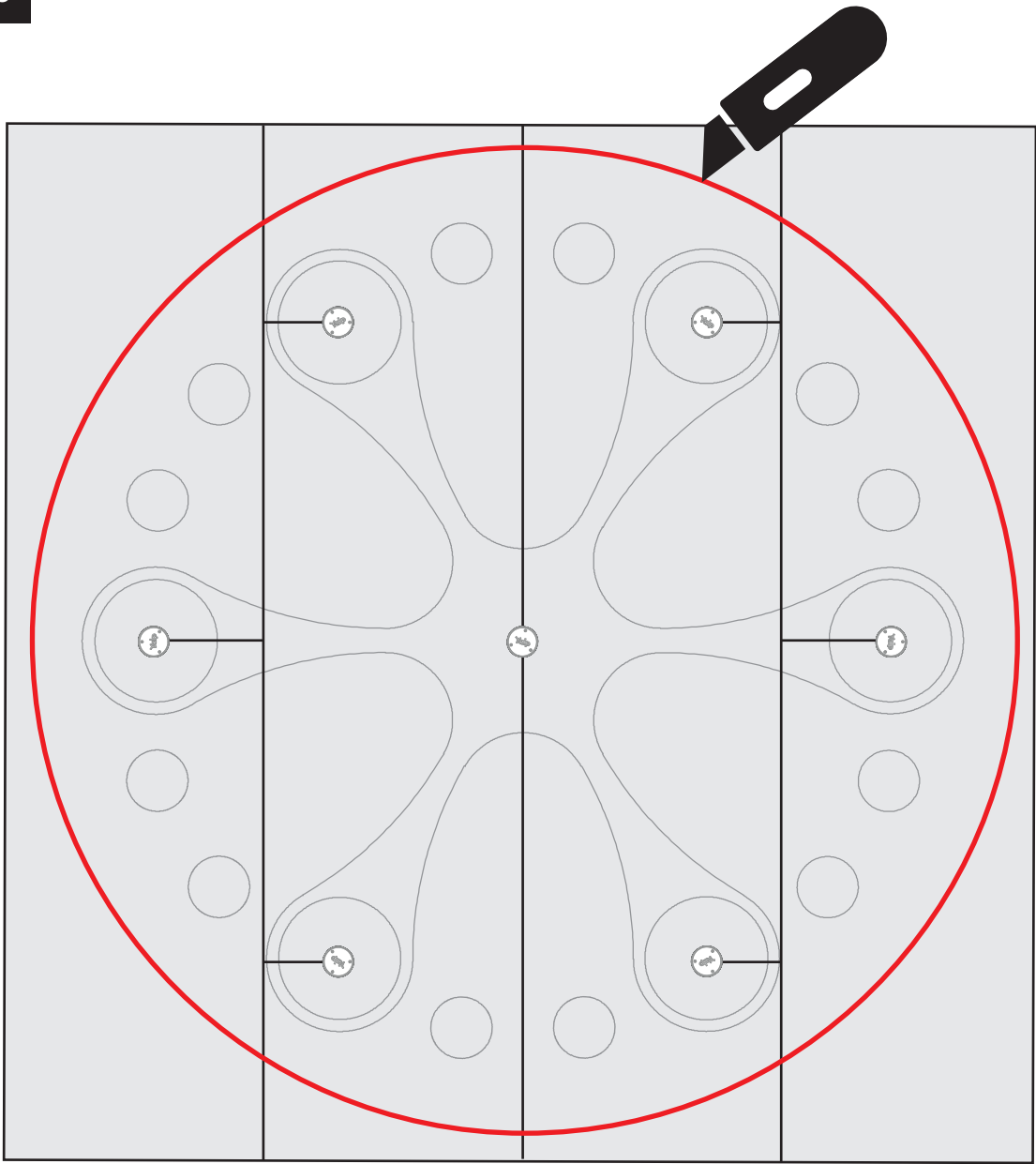
B

C

D

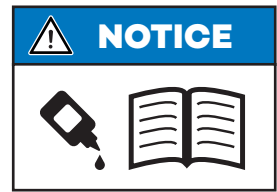
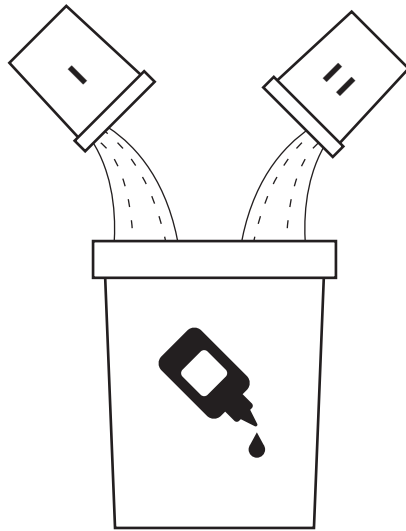
E

F



8 m
[26.2 ft]

E.17



A

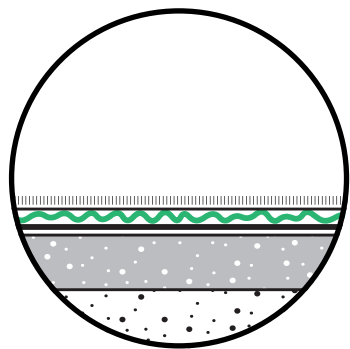
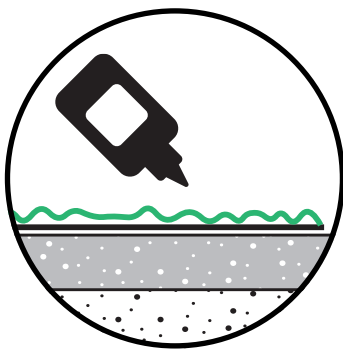
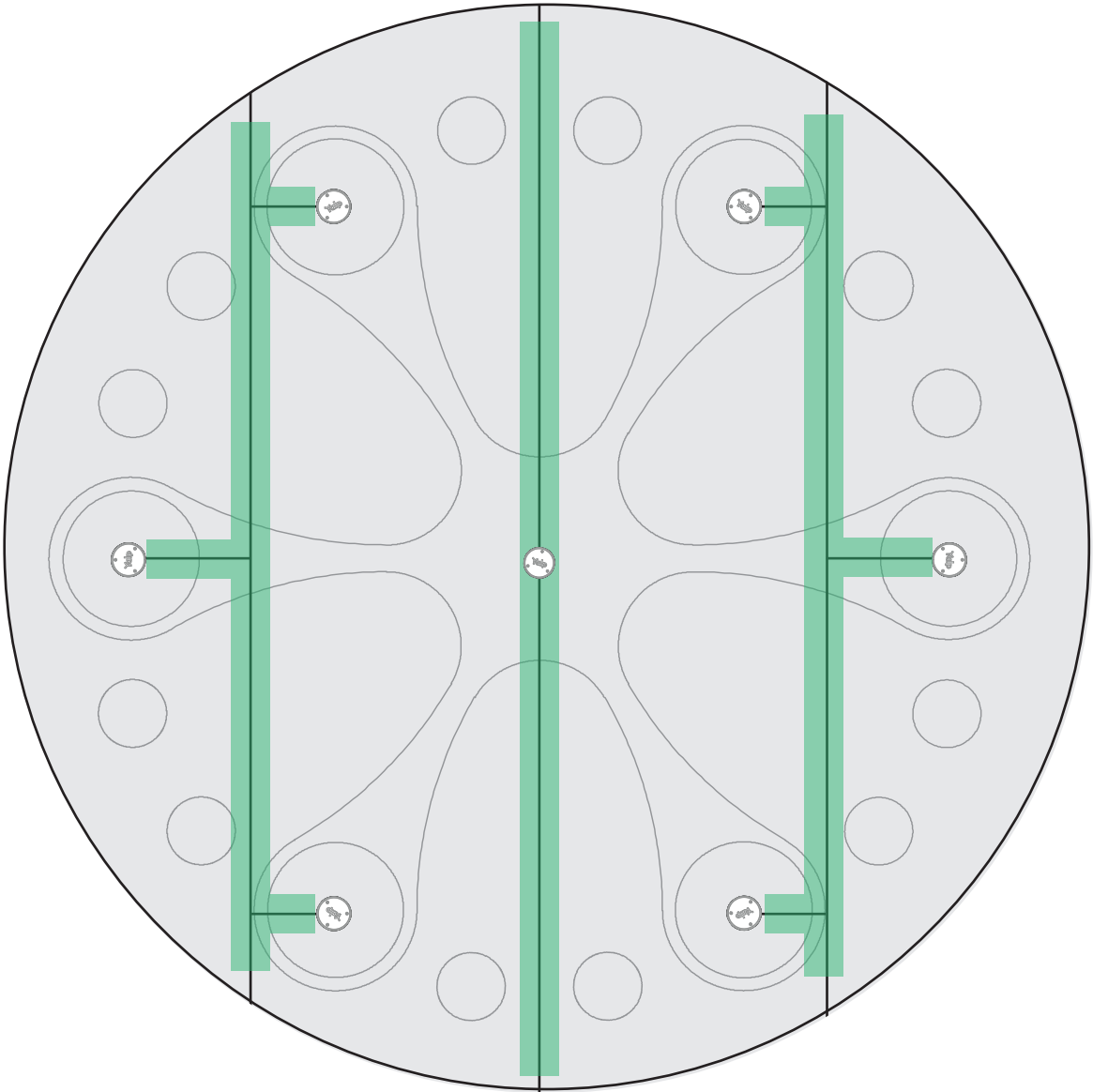
B

C

D

E

F



A

B

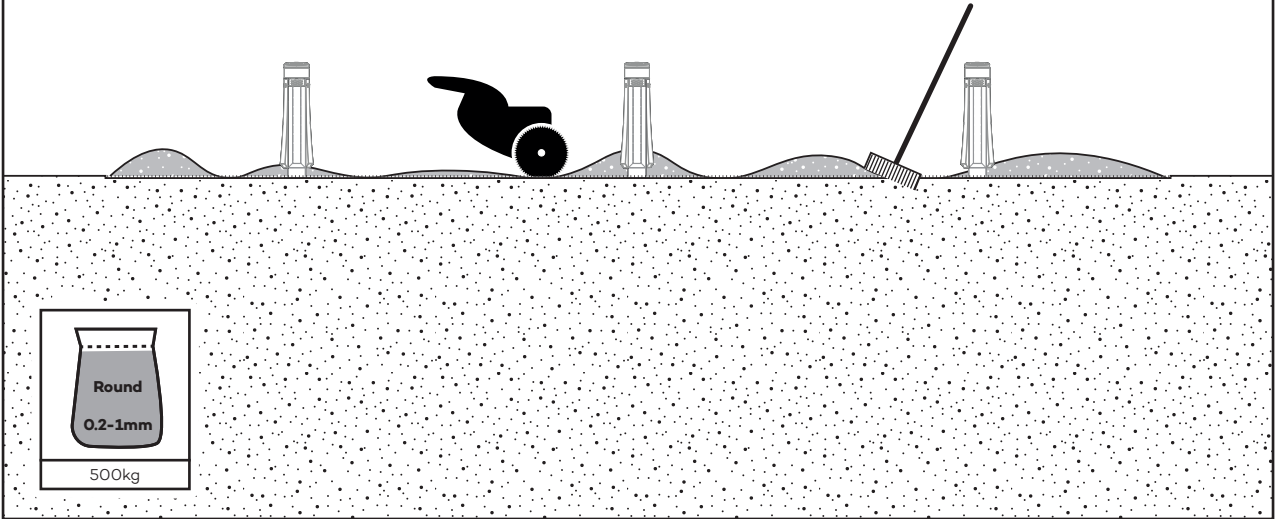
C

D

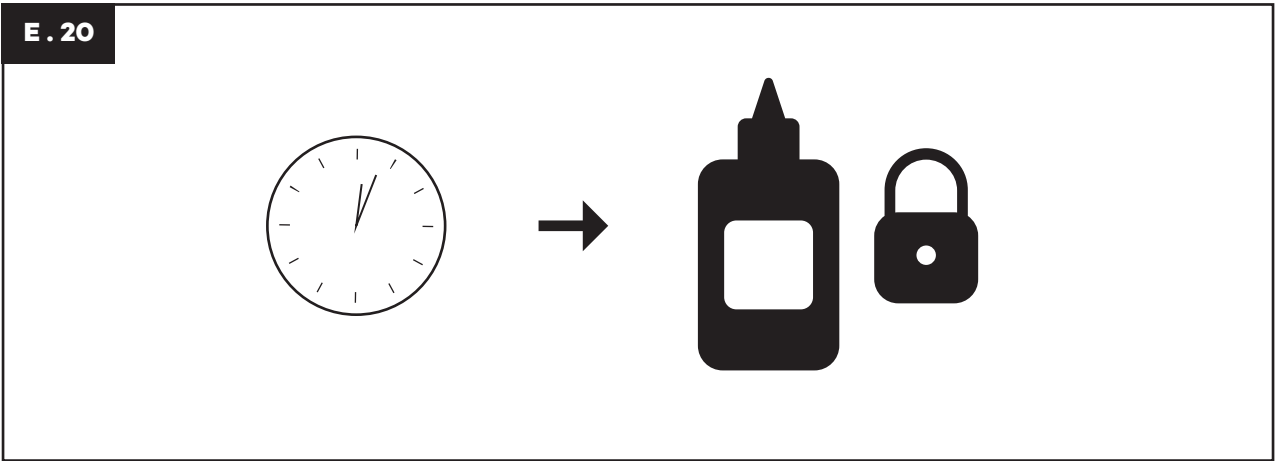
E

F

E. 19



E. 20



A

B

C

D

E

F

A

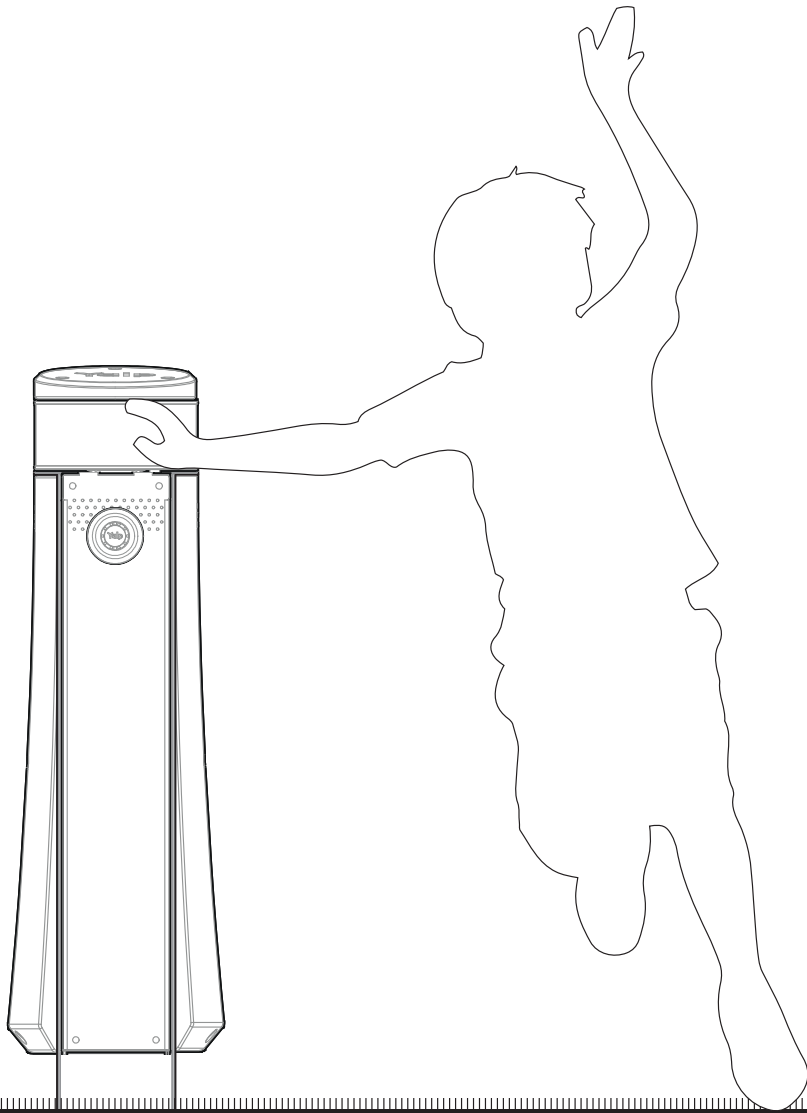
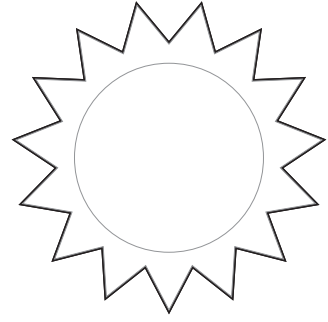
B

C

D

E

F



F



A

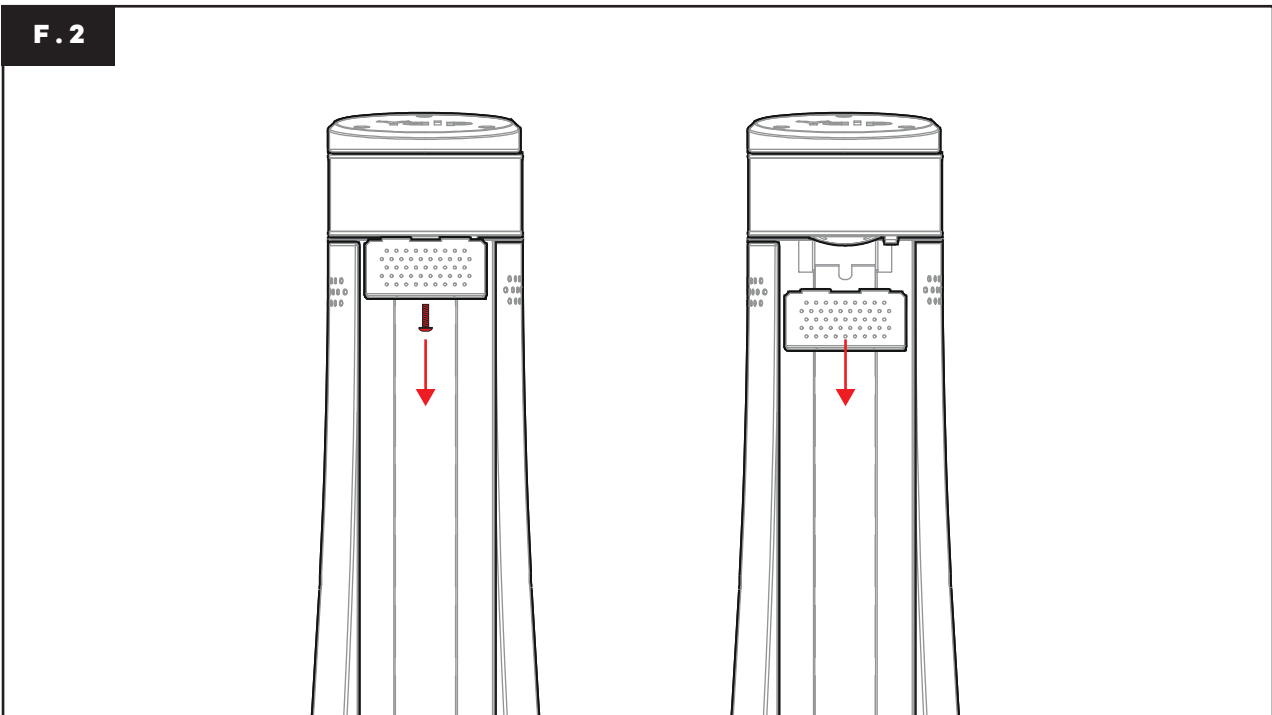
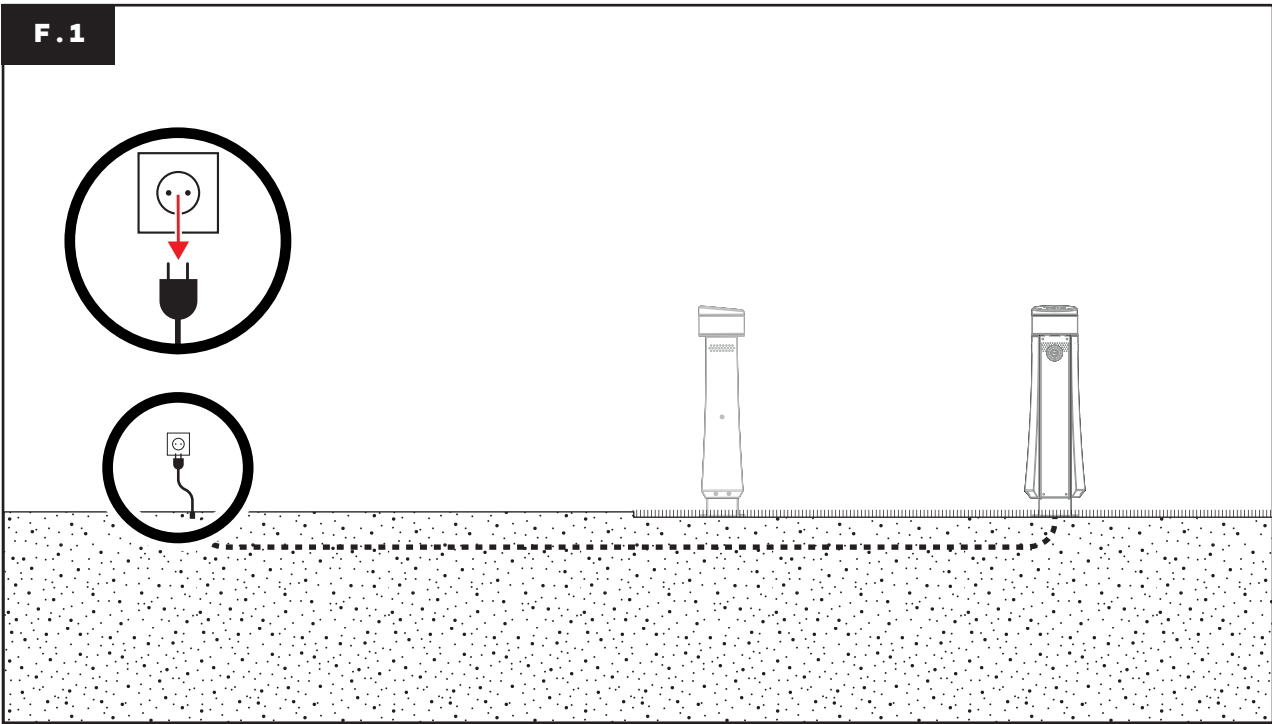
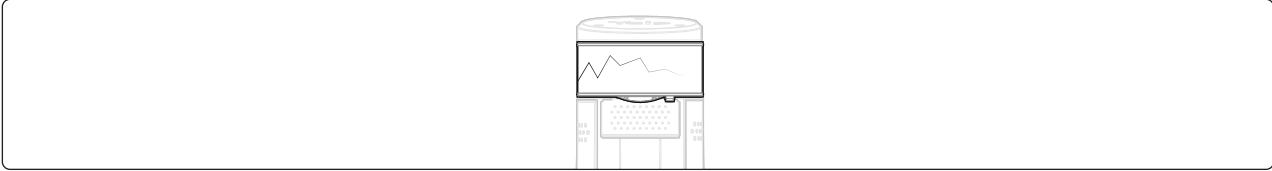
B

C

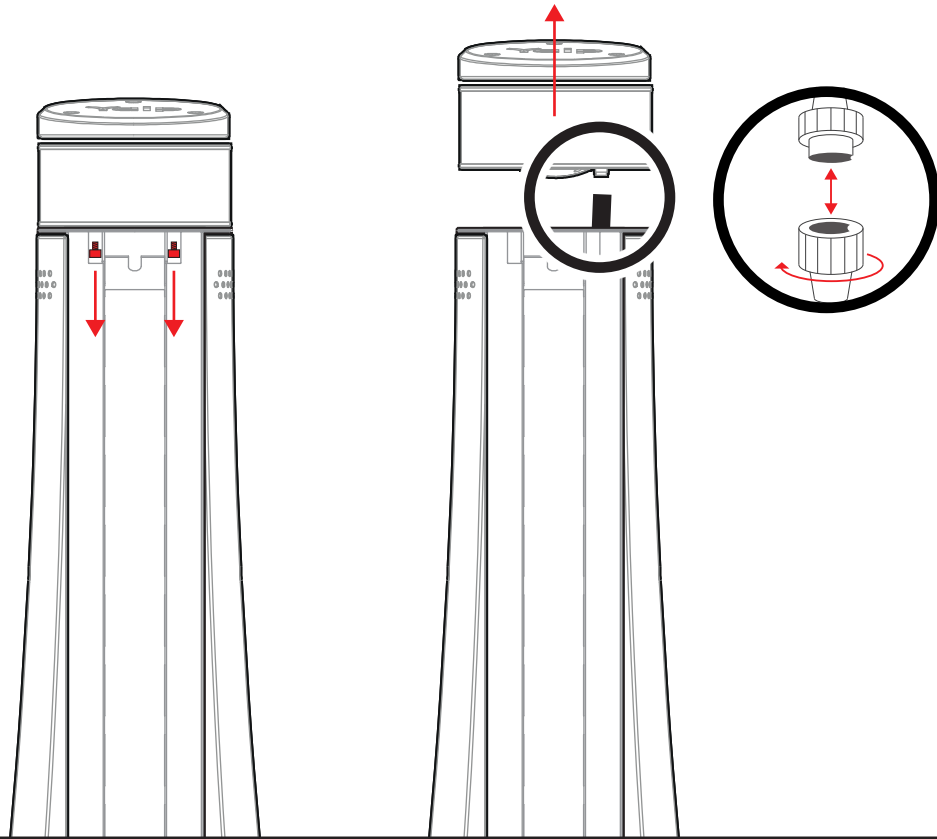
D

E

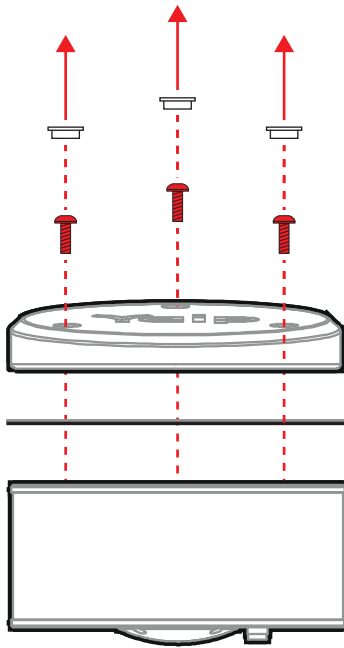
F



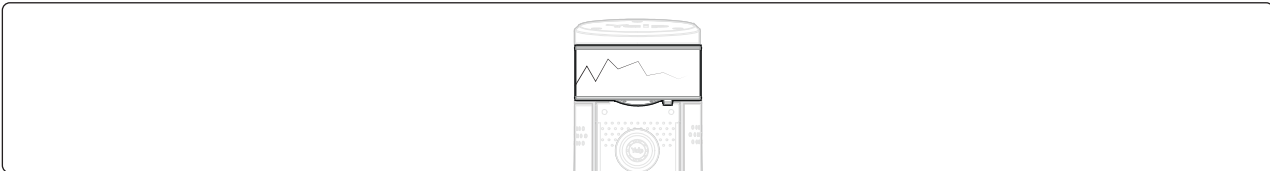
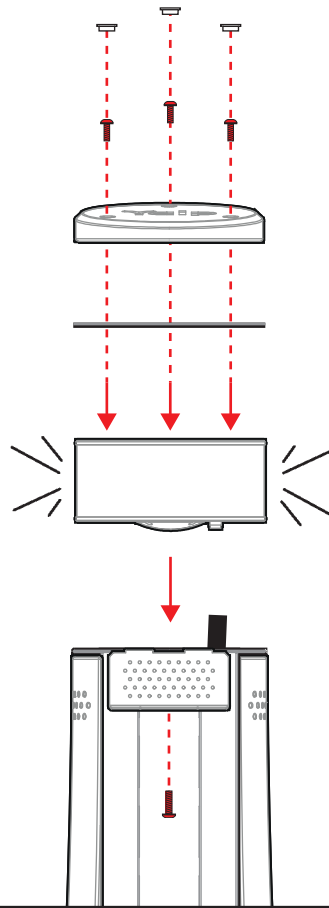
F.3



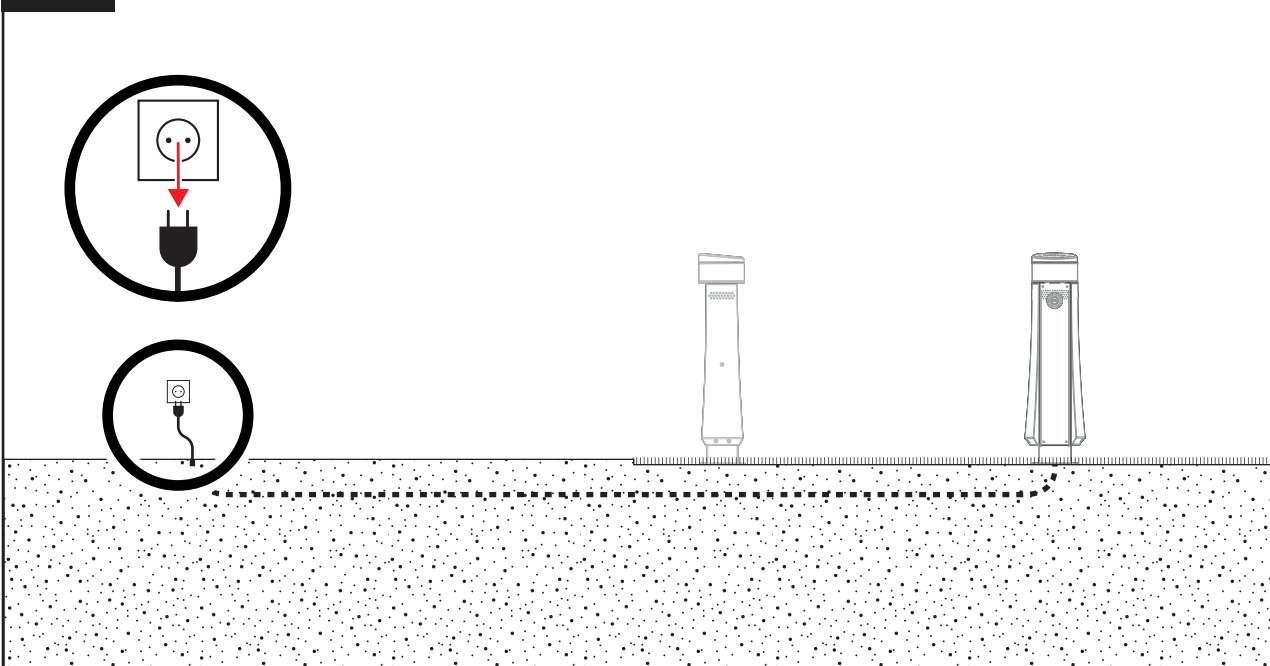
F.4



F.5



F.6



A

B

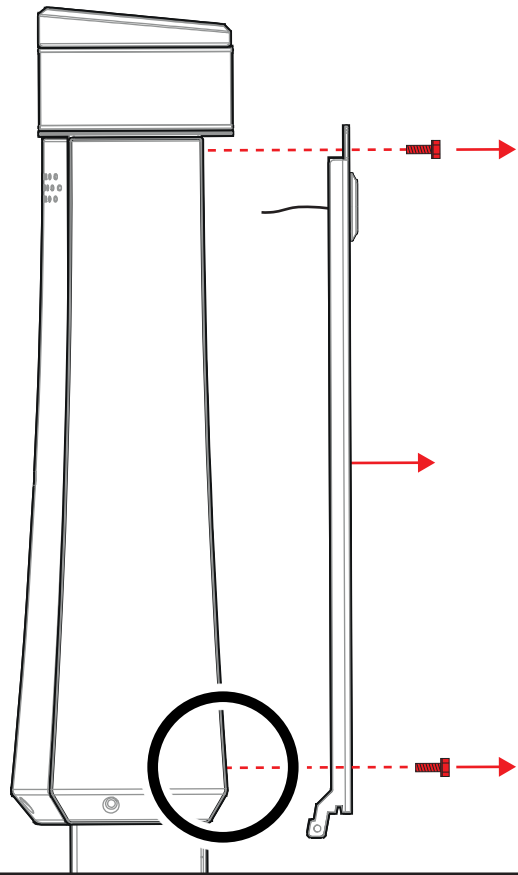
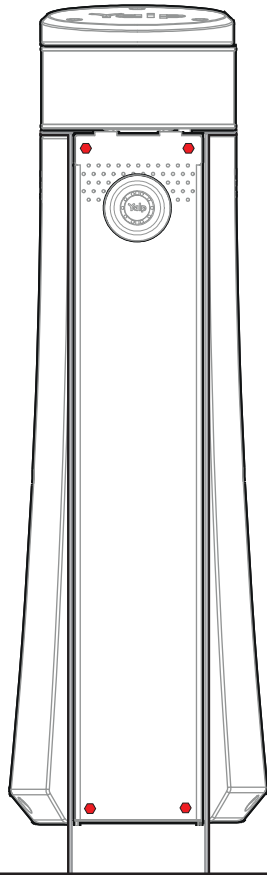
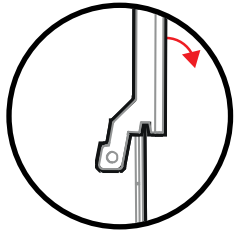
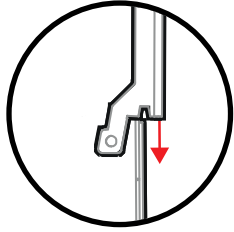
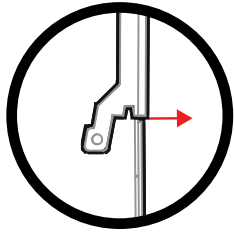
C

D

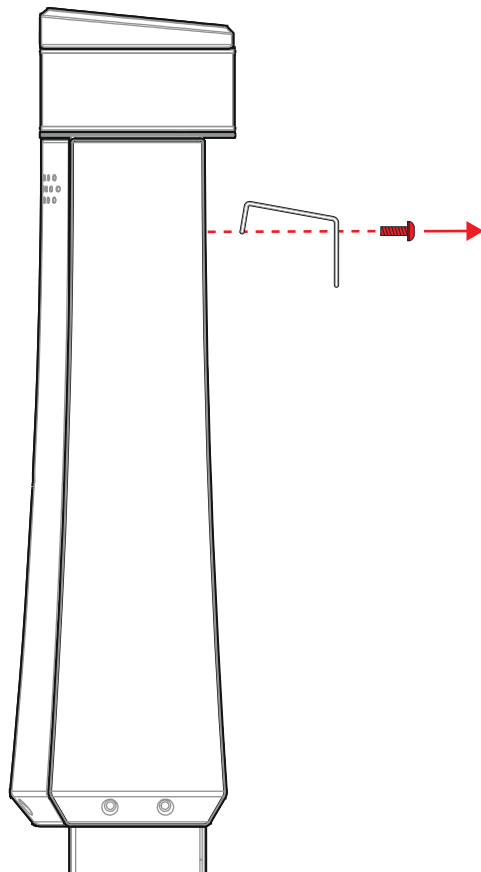
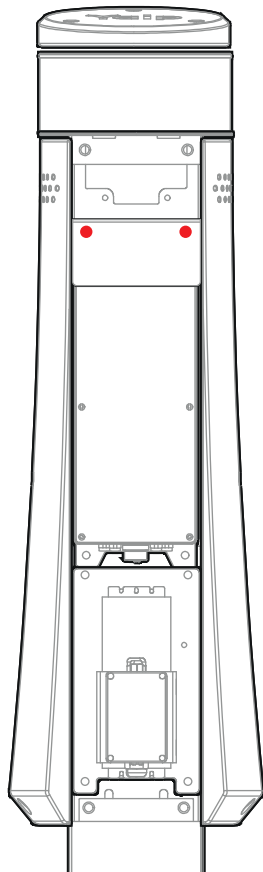
E

F

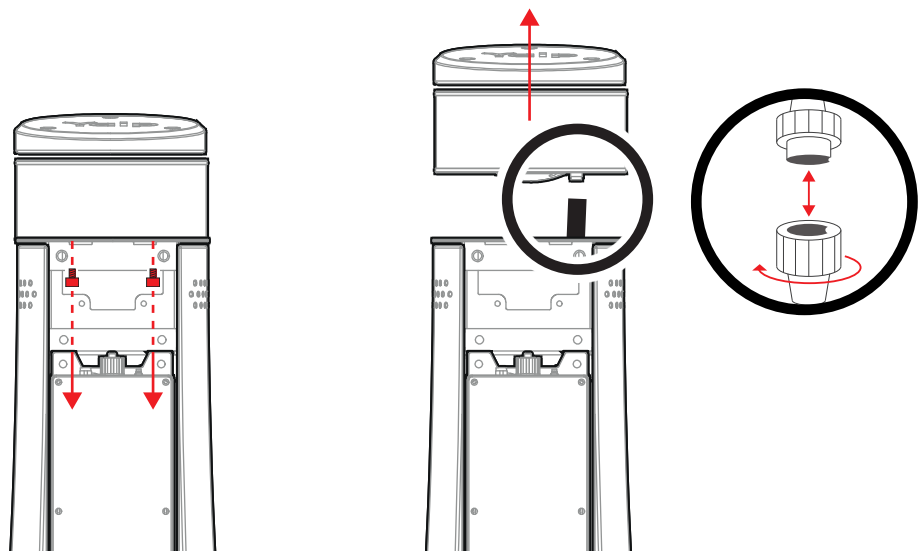
F.7



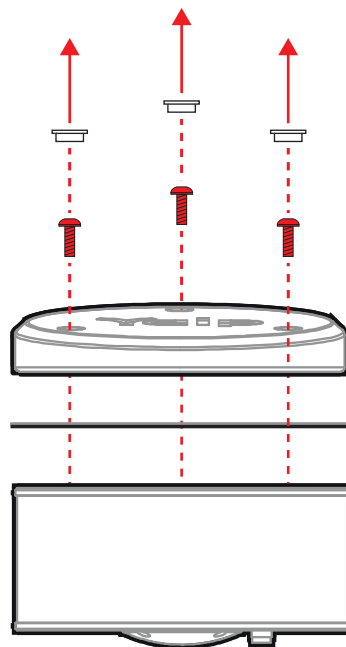
F.8



F.9



F.10



A

B

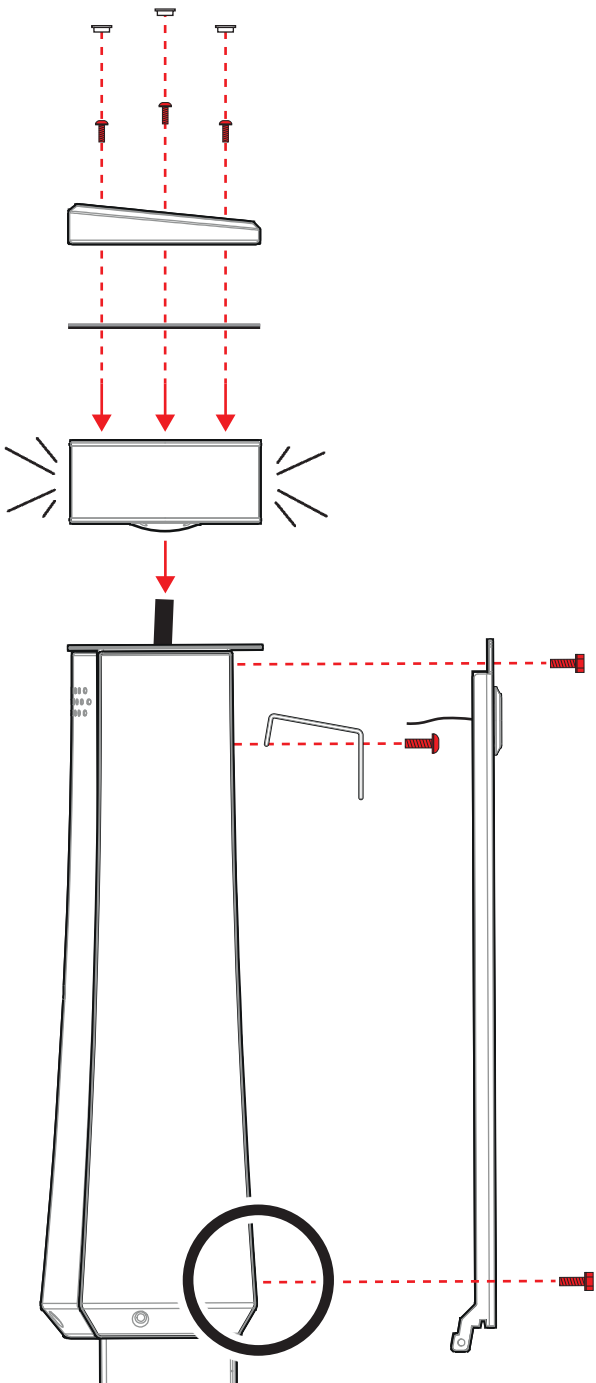
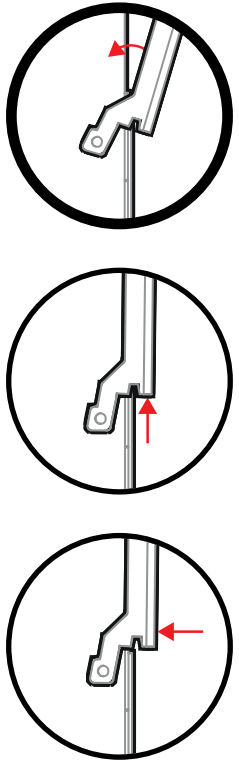
C

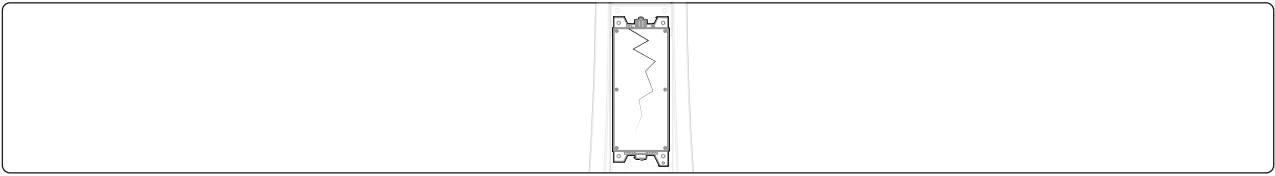
D

E

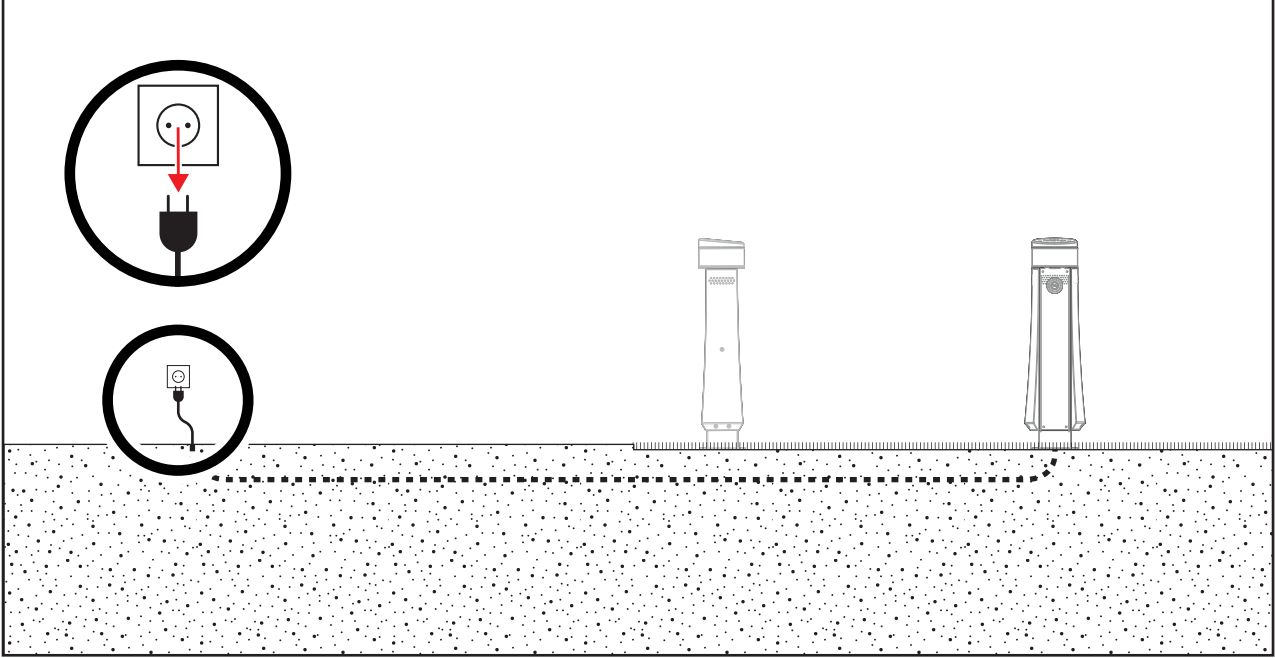
F

A
B
C
D
E
F

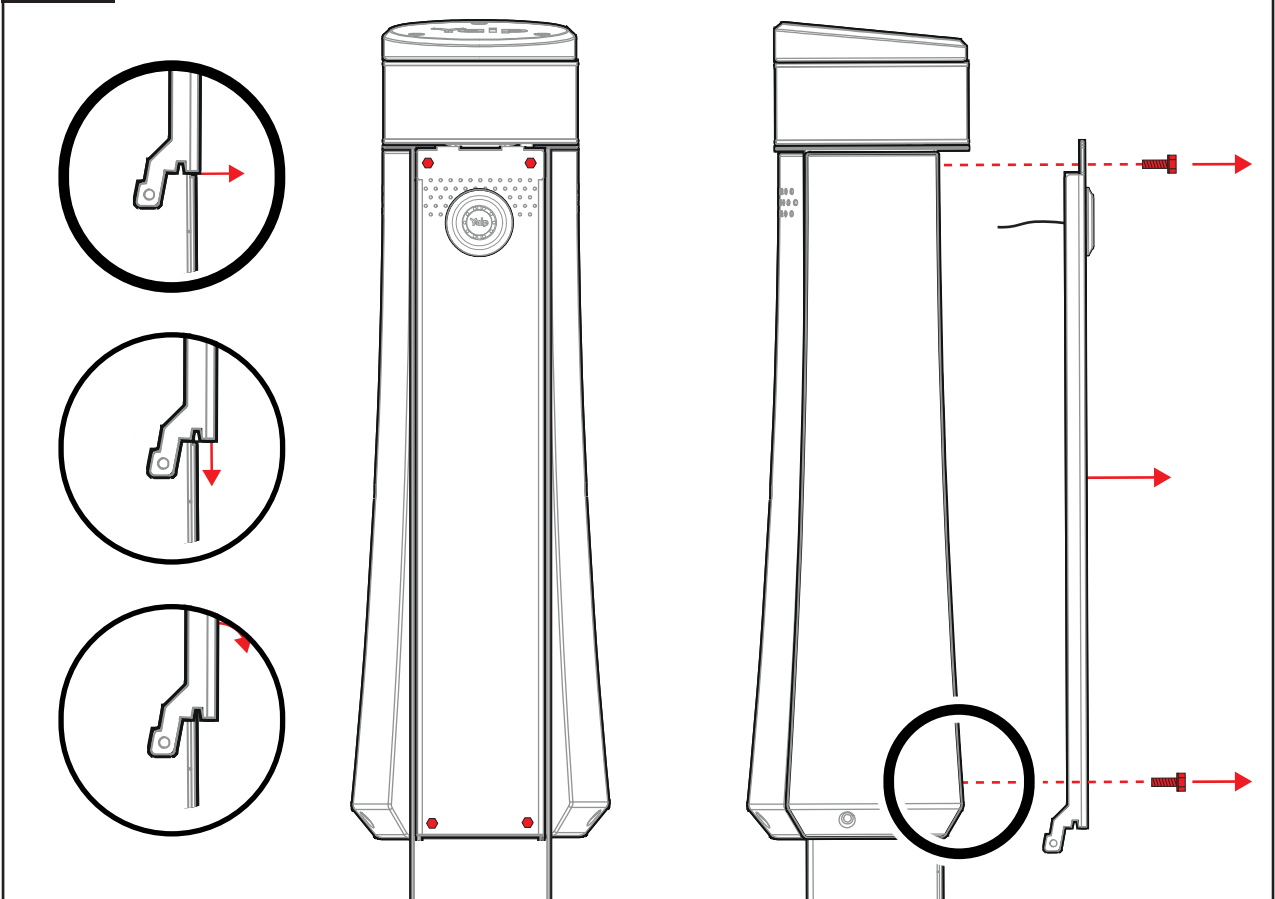




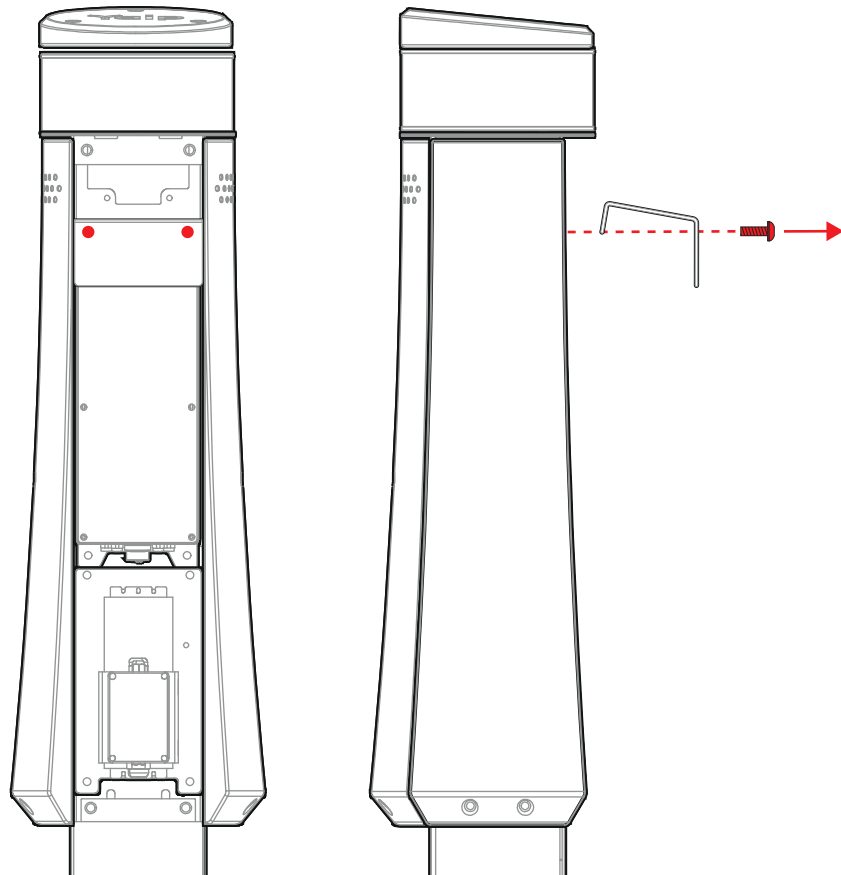
F.12



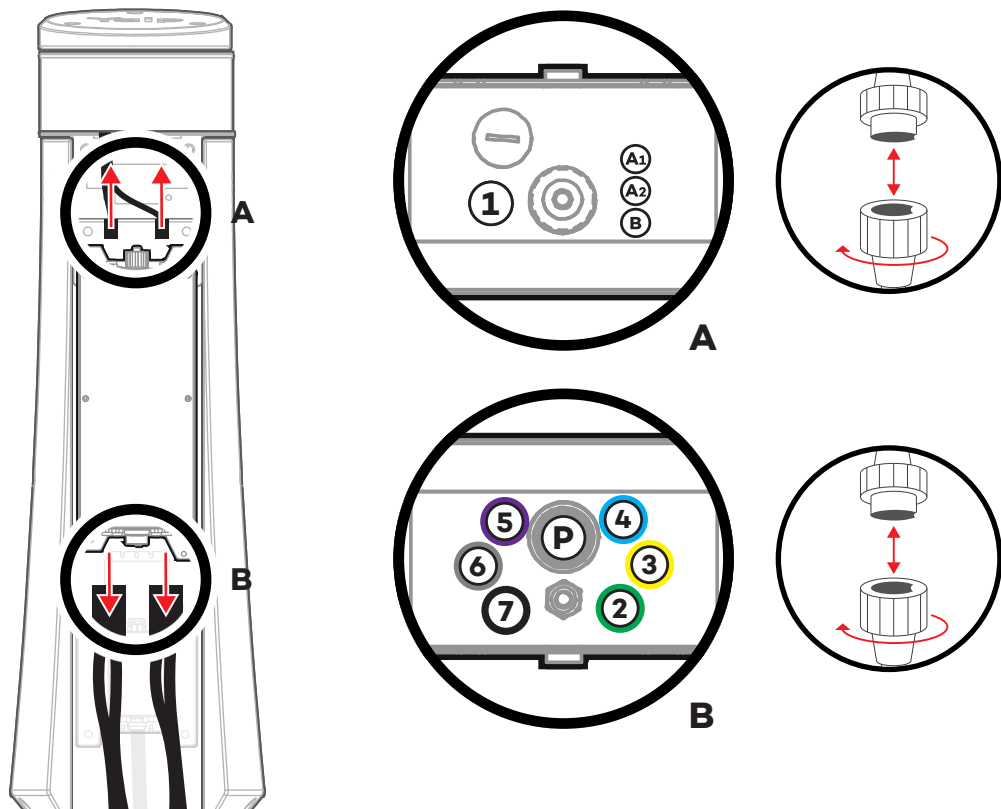
F.13



F. 14

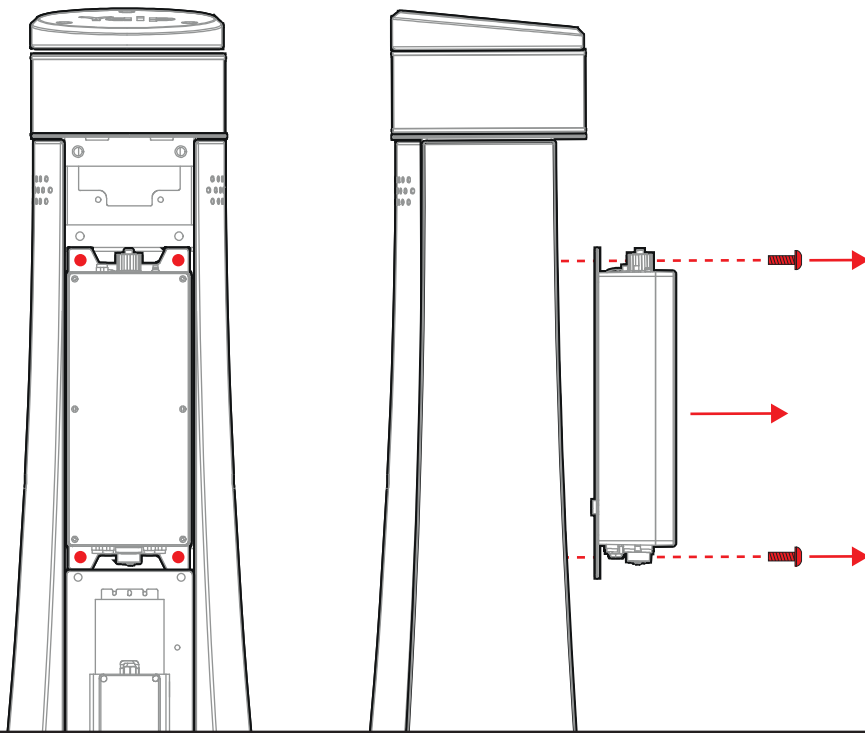


F. 15

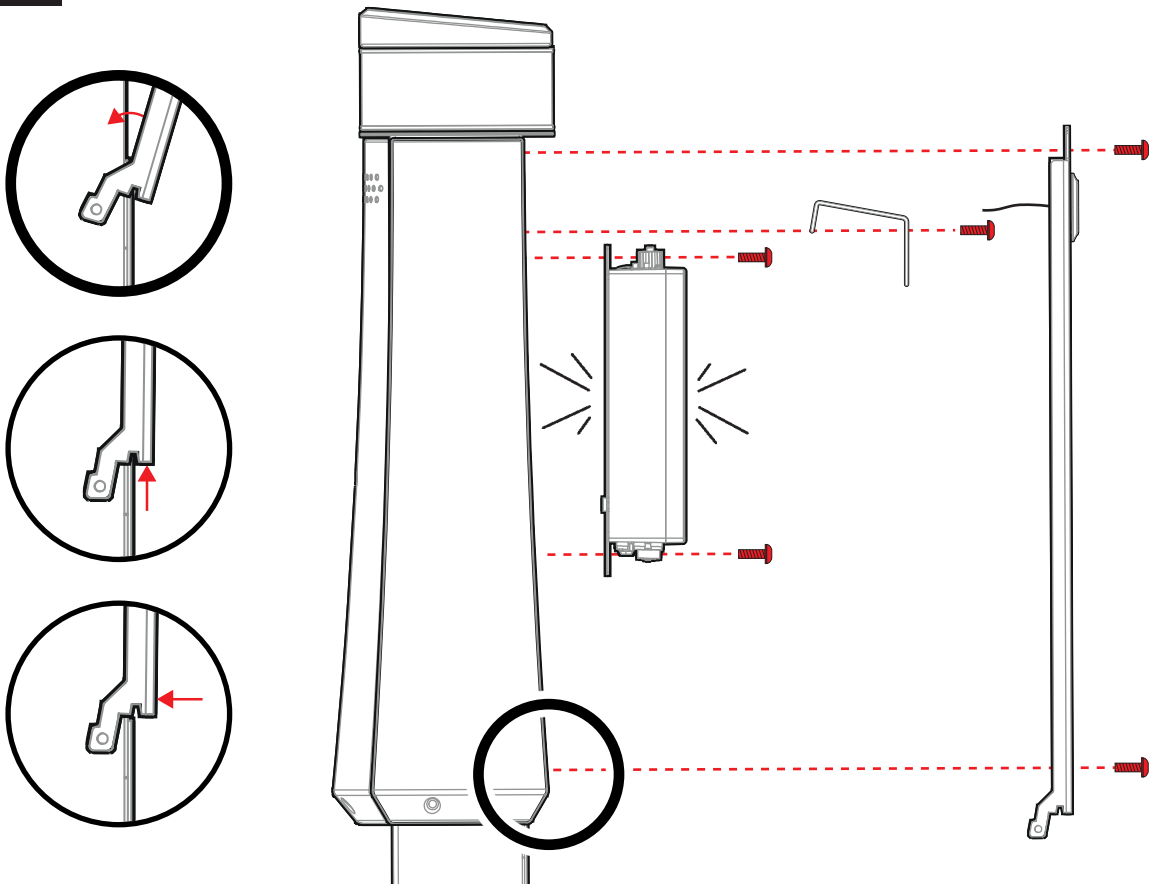


A
B
C
D
E
F

F.16



F.17



A

B

C

D

E

F

DISCLAIMER

The material in these installation instructions are for informational purposes only. The products it describes are subject to change without prior notice.

These instructions do not aim to cover all details or variations in the equipment and do not claim to provide for every possible contingency met in connection with installation, operation, or maintenance.

Lappset Yalp B.V. (hereinafter referred to as Yalp) has made every effort to ensure that these installation instructions are accurate.

Yalp assumes no responsibility for any inaccuracies or omissions that may be contained in these installation instructions.

Yalp makes no representations or warranties with respect to these installation instructions or with respect to the products described herein.

Yalp shall not be liable for any damages, losses, costs or expenses, direct, indirect or incidental, consequential or special, arising out of, or related to the use of these installation instructions or the products described herein.

Should further information be desired, or should particular problems arise which are not covered sufficiently or if you find information in these installation instructions that is incorrect, misleading, or incomplete, we would appreciate your comments and suggestions.

WARNING Important information! Not reading this document could result in personal injury or a damaged product.

WARNING Installation should be done by a certified installer according to local regulations on electrical safety (e.g. NEN 1010).

WARNING The main power cable should be connected to a separate group in the fuse box with a 30 mA RCD with a 10A or 16A fuse.

- Read the installation instructions carefully and fully before installing and using the product
- Follow each step of the instruction carefully
- Use common sense when handling the product
- If you are uncertain, please contact us
- Keep this information for further reference

PRODUCT SPECIFICATIONS

SPECIFICATION TABLE

Description	Metric	Imperial
<i>Model</i>		
Model	Yalp Memo	
Model no	YA3900	
Country of origin	Made in the Netherlands	
<i>Transport</i>		
Pallet material	Pinewood	
Pallet A dimensions (posts) (L x W x H)	1.2 x 0.8 x 1.4 m	3'11.2" x 2'7.5" x 4'7.1"
Pallet A weight	240 kg	530 lbs
Pallet B dimensions (grass + misc) (L x W x H)	1.25 x 1.05 x 2.40 m	4'1.2" x 3'5.3" x 7'7.1"
Pallet B weight	290 kg	640 lbs

Dimensions

Dimension installed Memo (D x H)	8.0 x 1.1 m	26.25 x 3.6 ft
Safety zone of Memo (Diameter)	9.7 m	31.82 ft
Dimensions Memo post	0.4 x 0.4 x 1.2 m	1.1 x 1.1 x 3.8 ft

Weight

Net weight Memo master post	±25 kg	±55.1 lbs
Net weight Memo basic post	±20 kg	±44.1 lbs

Power

Power input	100-240 V ~. 50/ 60 Hz. 285W max	
Power output	12 V DC	

Energy usage

Energy: in use (average)	51 W
Energy: in idle mode (standby)	46 W
Energy: in sleep mode	3 W

Connectivity

Internet connection	3G modem with data sim card
---------------------	-----------------------------

Safety

IP class	IP54	
Operating temperature	-20 to +40 °C	-4 to +104 °F
Stock temperature	0-30 °C	32 to +86 °F
Operating altitude	<2000 m	<6562 ft

STANDARDS AND COMPLIANCE INFORMATION

Standards

Europe

NEN-EN 1176:2019

CE

USA

FCC

Canada

CAN ICES-003

REGULATORY INFORMATION USA

Changes or modifications not expressly approved by the party responsible for compliance could void the user's authority to operate the equipment.

interference, and (2) this device must accept any interference received, including interference that may cause undesired operation.

This device complies with part 15 of the FCC Rules. Operation is subject to the following two conditions: (1) This device may not cause harmful

PERMITTED ANTENNA

This radio transmitter has been approved by the FCC to operate with the antenna types listed below with the maximum permissible gain indicated. Antenna types not included in this list,

having a gain greater than the maximum gain indicated for that type, are strictly prohibited for use with this device.

Interface and frequency range	Type	Max gain
3G cellular in band II and IV	MCS 108181 / 108182 - AEB260 GSM Dipole Patch Antenna.	-2 dBi
	Siretta Tango 27 IP67 Rated Quad Band GSM/GPRS and 3G Puck Antenna	-2.16 dBi

RF EXPOSURE SAFETY

This device complies with FCC RF exposure limits and has been evaluated in compliance with mobile exposure conditions. The antenna must be

installed and operated with minimum distance of 20 cm between the radiator and your body.

CLASS B DEVICE NOTICE

NOTICE This equipment has been tested and found to comply with the limits for a Class B digital device, pursuant to part 15 of the FCC Rules.

These limits are designed to provide reasonable protection against harmful interference in a residential installation. This equipment generates, uses and can radiate radio frequency energy and, if not installed and used in accordance with the instructions, may cause harmful interference to radio communications. However, there is no guarantee that interference will not occur in a particular installation. If this equipment does cause harmful interference to radio or television

reception, which can be determined by turning the equipment off and on, the user is encouraged to try to correct the interference by one or more of the following measures:

- Reorient or relocate the receiving antenna
- Increase the separation between the equipment and receiver
- Connect the equipment into an outlet on a circuit different from that to which the receiver is connected
- Consult the dealer or an experienced radio/TV technician for help

REGULATORY INFORMATION CANADA

Changes or modifications not expressly approved by the party responsible for compliance could void the user's authority to operate the equipment.

This device complies with ISED license-exempt RSS(s). Operation is subject to the following two

conditions: (1) This device may not cause harmful interference, and (2) this device must accept any interference received, including interference that may cause undesired operation.

PERMITTED ANTENNA

This radio transmitter has been approved by the FCC to operate with the antenna types listed below with the maximum permissible gain indicated. Antenna types not included in this list,

having a gain greater than the maximum gain indicated for that type, are strictly prohibited for use with this device.

Interface and frequency range	Type	Max gain
3G cellular in band II and IV	MCS 108181 / 108182 - AEB260 GSM Dipole Patch Antenna.	-2 dBi

Siretta Tango 27 IP67 Rated Quad Band -2.16 dBi
GSM/GPRS and 3G Puck Antenna

RF EXPOSURE SAFETY

This device complies with ISED RF exposure limits and has been evaluated in compliance with mobile exposure conditions.

CAN ICES-003 (B)

47 CFR § 2.1077 COMPLIANCE INFORMATION.

SUPPLIERS DECLARATION OF CONFORMITY.

This device complies with part 15 of the FCC Rules. Operation is subject to the following two conditions: (1) This device may not cause harmful interference, and (2) this device must accept any interference received, including interference that may cause undesired operation.

We, Lappset Yalp B.V., hereby declare that the equipment bearing the model name specified below was tested conforming to the applicable FCC Rules under the most accurate measurement standards possible, and that all the necessary steps have been taken and are in force to assure that production units of the same equipment

will continue to comply with the Commissions requirements.

Unique Identifier: SUTU, TORO, SONA, MEMO

Responsible Party – U.S. Contact Information:

Yalp Inc.

401 Congress Ave

Suite 1540

Austin TX 78701 US

(512) 852-3050

PARTS LIST

WARNING Never try to repair a defect without the consent of Yalp

WARNING Never replace parts for other than Yalp original parts. The Yalp product is certified as a whole, with carefully selecting the best parts for safety and quality reasons.

Number	Part description	Amount	Material	Finish
160-200	Master post with cable	1	-	-
160-010	Basic post with cable	6	-	-
Floor	Memo floor	4	Turf	-
Glue	Bucket and bottle	1	2 K-PU	-
Glue mixer	Mixing bit for drill	1	-	-
Seam tape	Tape glueing floor (m)	40	-	-
Bit T40	Pintorx 40 bit	1	-	-
M10x30	Tap bolt M10x30	28	FE360	Galvanized
100-282	Washer D125A M10	56	SS304	-
100-274	Lock nut DIN185 M10	28	FE360	Galvanized

Deep mount

PVC tubes	2,90 m / Ø32mm	6	PVC	-
-----------	----------------	---	-----	---

PVC Glue	-	1	-	-
160-710	Master post anchor	1	FE360	Galvanized
160-720	Basic post anchor	6	FE360	Galvanized

Spider mount

160-620	Spider frame beam	12	FE360	Galvanized
160-614	Spider frame corner piece	6	FE360	Galvanized
160-605	Spider frame basic anchor plate	6	FE360	Galvanized
160-608	Spider frame master anchor plate	1	FE360	Galvanized
M8x40	Bolt	78	FE360	-
M8x80	Bolt	12	FE360	-
100-281	Washer M8	180	FE360	-
100-271	Nut M8	90	FE360	-

UNINCLUDED MATERIAL

Description	Metric	Imperial
<i>Transport</i>		
Pallet lifter		
<i>Installation tools</i>		
Fork spanner	24mm	15/16
Cordless drill	-	-
Flat screwdriver (insulated)	-	-
Stanley knife	-	-
Measuring tape	-	-
M8 tap	8 mm	5/16
Shovel	-	-
Wire stripper	-	-
Water	50-100 L	13-26 gallons
Sand	Sharp, 0.06-2mm grain	
Sand	Round, 0.2-1mm grain	
(Rotary) broom	-	-
Leveller	-	-
Philips head screwdriver	-	-
<i>Deep mount</i>		
Quick drying concrete (C20/C25 NEN -EN206-1/-8005)	900 kg	1985 lbs
<i>Spider mount</i>		

EN

NL

DE

Fork spanner	13mm	1/2
<i>Surface mount</i>		
Chemical anchor (4000N) e.g. Hilti HIT 170 with 8.8 anchor M10 (in combination with C20/C25 concrete)	24x	24x
Concrete cutter	-	-
Conduit (cable protection tube)	20 m / Ø32mm	66ft / Ø 1.3"

A. PREPARATION

A.1 Transportation advice

WARNING Not taking the right precautions could result in accidents and/or damage.

WARNING When using heavy equipment follow the safety instructions provided by the manufacturer.

CAUTION The person(s) transporting the product should wear the required protection and clothing.

- Before transporting check the box and pallet for any damage or loose parts
- When using (heavy) equipment make sure the person is certified when required to use the equipment
- Always transport the product upright
- Always use the supplied pallet and transport materials
- Extra equipment may be necessary to safely transport the product
- Make sure the used equipment can handle the weight and size of transporting the product
- Transport the product as close as possible to the eventual place of installation before unpacking the product

A.2 Dimensions of the installed Memo

A.3 Overview of products

CAUTION The person unpacking the product should wear the required protection and clothing.

CAUTION Do not unpack the product before transporting it to the eventual place of installation to prevent damages.

- Use a forklift to load and unload the pallets
- Use a cross slot screwdriver (not included) to open the wooden crate
- Unpack the product in a dry environment

- While unpacking the product check the product for any damages or missing parts
- Check cables for any damages
- Please recycle and discard the packaging material correctly

A.4 Make sure there is at least 1,5 meters (5ft) distance between the Memo posts and surrounding objects.

A.5 Make sure the power cable is located in the centre of the Memo and has an overlength of 1,5 meters (5ft). *Use local standards to determine how deep electrical wires need to be buried.

WARNING The main power cable should be connected to a separate group in the fuse box with a 30 mA RCD with a 10A or 16A fuse.

A.6 If needed, prepare the ground:

- Make sure the surface is level in all directions
- Determine ground level (0 level), which is the reference point for all other dimensions
- Make sure that the Memo will be placed perpendicular to and directly on the prepared surface

A.7 Choose the installation type suitable for the surface on which the Memo will be installed.

WARNING A surface mount can only be done when the existing surface is made of at least 15 cm [6"] solid concrete.

- Deep mount (in existing ground - anchors): continue with part B
- Spider mount (in existing ground - spiderframe): continue with part C
- Surface mount (on top of existing surface - cable slots): continue with part D

EN

NL

DE

B. DEEP MOUNT

NOTICE Make sure the necessary preparations have been made according to chapter A.

B.1 Draw two circles with the power cable as centre point according to the indicated dimensions.

B.2 Determine the position of the master post and the 6 basic posts.

B.3 Dig the holes and cable slots according to the indicated dimensions.

B.4 Place the centre anchor according to the indicated dimensions, make sure it is placed level in all directions. Pull the power cable through the indicated hole.

B.5 Pour the concrete into the centre hole to the indicated height and wait until it has hardened.

B.6 Place the basic post anchors. Place the cable protection tube (PVC), combine two pieces and

glue together if necessary. Place the tubes in the slots and connect them to the anchors according to the image.

B.7 Check if the first basic post anchor is placed exactly in the right position according to the indicated dimension. Make sure the anchor plate is placed level in all directions. Hold the basic post anchor in position while pouring the concrete to the indicated height.

B.8 Repeat step B.7 for the 5 remaining basic post anchors.

B.9 Fill up the slots and remaining spaces around the anchors with sand.

NOTICE Continue the installation by following the steps in chapter E. At the end of chapter E the flooring will be placed.

C. SPIDER MOUNT

NOTICE Make sure the necessary preparations have been made according to chapter A.

C.1 Draw two circles with the power cable as centre point according to the indicated dimensions.

C.2 Dig out the hole of the inner circle according to the indicated dimensions.

C.3 Place the 12 beams of the spider frame, the centre ground plate and the 6 corner pieces in the right position according to the image. Mount the poles to the centre ground plate and the 6 corner

ground plates. Pull the power cable through the centre ground plate.

C.4 Mount the ends of the meeting beams together, in the centre and at the corners.

C.5 Level the spider frame at the right dimensions, make sure it is level in all directions.

C.6 Fill up the remaining spaces within the spider frame with sand according to the image.

NOTICE Continue the installation by following the steps in chapter E. At the end of chapter E the flooring will be placed.

D. SURFACE MOUNT

NOTICE Make sure the necessary preparations have been made according to chapter A.

WARNING A surface mount can only be done when the existing surface is made of at least 10 cm (4") solid concrete.

D.1 Draw two circles with the power cable as centre point according to the indicated dimensions.

D.2 Use the concrete cutter to cut a recess according to the indicated dimensions.

D.3 Determine the position of the master post and the 6 basic posts.

D.4 Use the concrete cutter to cut a slot according to the indicated dimensions.

D.5 Align the 6 ground plates of the basic posts as shown in the image.

D.6 Cut the conduit to the right size. Place the conduits in the slots and pull them through the anchor plates with sufficient overlength.

D.7 Align the centre ground plate for the centre post as shown in the image and drill 6 holes.

NOTICE Be aware to locate the holes of the ground plate in between the cable slots as shown in the image.

D.8 Pull the power cable through the ground plate. Mount the ground plate of the centre post to the surface by placing the chemical anchors according to their instructions.

D.9 Check if the first basic post ground plate is placed exactly in the right position according to step D.3 and D.5. Make sure the ground plate is placed level in all directions. Hold the basic post ground plate in position while drilling 6 holes.

D.10 Mount the first basic post ground plate to the ground by placing the chemical anchors according to their instructions.

D.11 Repeat step D.9 and D.10 for the remaining basic post ground plates. Check the position and level of each ground plate before drilling the holes.

D.12 Fill the slots with concrete and wait until it has hardened.

NOTICE You can now continue the installation by following the steps in chapter E. At the end of chapter E the flooring will be placed.

E. INSTALLATION

CAUTION Work with at least two people when installing the Memo.

CAUTION The people installing the product should wear the required protection and clothing.

E.1 Overview of posts locations.

CAUTION Be aware that all basic posts are labelled. They should be connected to the master post in the right order, based on their position in the playing field.

E.2 Lay down the first basic post (2) next to the corresponding ground plate. Run the cable through the ground plate, towards the centre ground plate.

WARNING Electric shock risk! Although the main power supply is not used yet, touching the uncoated parts of the wire could lead to an electric shock already. If necessary, only touch the coated parts of the main power supply.

E.3 Place the basic post on the ground plate, making sure the slanted top of the post is pointed towards the centre of the Memo. Pull the cable further through the tube while placing the post. Mount the post onto the ground plate using a thread locker (e.g. Loctite).

E.4 Repeat step E.2 and E.3 for the remaining basic posts (3-7).

E.5 Place the master post next to the centre ground plate. Unscrew and remove the lid from the post.

E.6 Make sure the master post is positioned in the correct direction.

E.7 Lift the master post above the centre ground plate. Pull the cables through the bottom of the

post. Lower the post onto the centre ground plate. Mount the post to the centre ground plate using a thread locker (e.g. Loctite).

WARNING Electric shock risk! Although the power supply is not used yet, touching the uncoated parts of the wire could lead to an electric shock already. If necessary, only touch the coated parts of the power supply.

E.8 Connect the power supply cable to the power terminal.

WARNING Electric shock risk! Touching the uncoated parts of the wire could lead to an electric shock. Only touch the coated parts of the power supply.

WARNING Installation should be done by a certified installer according to local regulations on electrical safety (e.g. NEN 1010).

NOTICE Make sure to connect the positive and negative pole correctly.

E.9 Connect the basic post cables to the computer in the master post.

NOTICE Make sure to connect the right basic posts to the right input channels of the computer, based on their labels.

E.10 Place the lid of the post back in place and mount it.

E.11 Initialize the product:

- Power the product, the green light around the button lights up
- Hold the button until the first post lights up and shows its ID, then release the button

- All posts show their ID, this may take a few minutes

NOTICE An initialization can be done after a power cycle (switching the power to the product off and on again).

NOTICE For settings, service and statistics, visit the My Yalp section in the Yalp Store.

E.12 Before placing the floor, prepare the ground in a way that fits your mounting method:

- Add the filling sand to raise the floor to the indicated dimensions.
- Make sure the ground is even and level in all directions.

E.13 Water the ground in order to make it stable. Make sure to be able to walk on the ground without leaving any marks. The use of a vibratory plate compactor could be recommended.

E.14 Roll out the 4 parts of the Memo floor. Make incisions as shown in the image.

E.15 Place the Memo floor on the prepared surface. Cut the floor to make the Memo posts fit in.

NOTICE Make sure the cut outs are in the exact centre of the circles.

E.16 Cut around the edge of the playing field.

E.17 Mix the glue components according to their instructions.

E.18 Cut the straps to size. Add glue and spread this evenly. Place the straps on the indicated locations in order to attach the different parts of Memo floor together.

E.19 Add the infill sand onto the Memo floor evenly. Work the sand into the floor using a (rotary) broom.

E.20 Clean up and wait until the glue has hardened out according to its instructions.

E.21 Let's play the Memo!

F. EXCHANGING PARTS

WARNING Electric shock risk! Disconnecting cables by pulling them from the middle could cause product damage and electric shock risks. Only disconnect cables when the main power switched off.

BASIC POST HEAD

F.1 Disconnect the main power from the Memo.

F.2 Unscrew the speaker caps and remove them.

F.3 Unscrew the basic post head and lift it. Disconnect the cable by first twisting and then pulling it.

F.4 If necessary, remove the memo hat from the touchscreen unit, by removing the cap hats with a flat screwdriver and unscrewing it.

F.5 Install the new touchscreen unit:

- Connect the cable to the touchscreen unit (push and twist) and screw the unit onto the basic post
- Screw the memo hat onto the touchscreen unit and push in the cap hats
- Place the speaker caps and mount them
- Connect the Memo to the power supply
- Initialize the Memo by following the steps from E.11

MASTER POST HEAD

F.6 Disconnect the main power from the Memo.

F.7 Unscrew the front plate and remove it.

F.8 Unscrew the protection plate and remove it.

F.9 Unscrew the master post head and lift it. Disconnect the cable by first twisting and then pulling it.

F.10 If necessary, remove the memo hat from the touchscreen unit, by removing the cap hats with a flat screwdriver and unscrewing it.

F.11 Install the new touchscreen unit:

- Connect the cable to the touchscreen unit (push and twist) and screw the unit onto the master post
- Screw the memo hat to the touchscreen unit and push in the cap hats

- Mount the protection plate to the frame
- Mount the front plate to the frame
- Connect the Memo to the power supply
- Initialize the Memo by following step E.11

COMPUTER

F.12 disconnect the main power from the Memo

F.13 Unscrew the front plate and remove it.

F.14 Unscrew the protection plate and remove it.

F.15 Disconnect all cables from the computer.

F.16 Unscrew the computer and remove it.

F.17 Install the new computer:

- Place the new computer and mount it
- Connect all cables to the computer according to step F.15
- Place the protection plate and mount it
- Place the front plate and mount it
- Connect the Memo to the power supply
- Initialize the Memo by following step E.11

SERVICE

SUPPORT

For questions, comments or help you can always contact the Yalp head-office in the Netherlands:

Yalp

Nieuwenkampsmaten 12
7472 DE Goor
The Netherlands
+31 (0) 547 289 410
support@yalp.com

For contact details of Yalp distributors or offices, please go to Yalp.com or check the distributors overview at my.yalp.com.

POWER CYCLE

- Turn off the power or unplug the device
- Wait 30 seconds
- Turn on the power or plug in the product
- Wait until the product has completed the start-up process and the product has come online

CLEANING & MAINTENANCE

WARNING Follow the instructions in this section closely when servicing the product. Failure to follow these instructions may cause serious injury or damage.

WARNING Always be sure that the product is powered off and unplugged before attempting to perform inspection or maintenance.

WARNING When servicing the product, use identical replacement parts only. Use of unauthorized parts may cause serious injury or damage.

- Use a mild soap and a non-scratching cloth to clean the product every half year
- The product should be inspected for damaged or missing parts on a regular basis
- When parts are damaged or missing, the product should be disconnected and the parts should be corrected, repaired or replaced to prevent injuries
- Tighten the bolts every 6 months to prevent loose bolts
- In case of surface corrosion: clean, sand and repair with filler and paint

- Make sure the product can perform a daily restart every day for optimal performance

MAINTENANCE FLOORING

- Brush the grass regularly with a stiff broom or rake
- Use clean water to rinse off any spills, such as liquids, sauce or melted ice-cream
- Keep the grass free of debris and leaves

DISCARD

DISASSEMBLY

WARNING Unplug the product from the main power to prevent electrocution.

WARNING Disconnecting and disassembly of the power outlet should be done by a certified electrician.

CAUTION Use protection for the parts after disassembling and during transportation.

NOTICE If you want to reinstall the product at a new location, make sure to check all disassembled parts to see if they can be reused. Spare parts can be ordered.

If assistance is needed, contact us.

REMOVAL

If you require help with the removal of your product, please contact us and inquire about our services and possible costs.

RECYCLING

Please make sure when discarding the product, the materials are recycled sensibly and correctly. To recycle this product, you can contact us and

send back the product. We will then dispose of your used product in a way that lives up to our sustainability directives.

WARRANTY, TERMS & CONDITIONS

For the Warranty, Terms & Conditions on this product, My Yalp, Content and Software visit store.yalp.com/downloads.

EN

NL

DE

DISCLAIMER

Deze installatiehandleiding is enkel bedoeld voor informatieve doeleinden. De producten die erin worden beschreven kunnen zonder voorafgaande kennisgeving worden gewijzigd.

Deze installatiehandleiding voorziet niet in informatie omtrent alle mogelijke productvarianties of eventuele toevalligheden die tijdens de installatie, het gebruik of het onderhoud van het product kunnen voorvallen.

Lappset Yalp B.V. (hierna "Yalp" genoemd) heeft er alles aan gedaan om ervoor te zorgen dat deze installatiehandleiding correct is.

Yalp aanvaardt geen aansprakelijkheid voor eventuele onjuistheden of weglatingen in deze installatiehandleiding.

Yalp geeft geen verklaringen of garanties met betrekking tot deze installatiehandleiding of met betrekking tot de hierin beschreven producten.

Yalp is niet aansprakelijk voor schade, verlies, kosten of uitgaven, direct, indirect of incidenteel voortvloeiend uit of verband houdend met het gebruik van deze installatiehandleiding of de hierin beschreven producten.

Als meer informatie gewenst is, of als er zich problemen voordoen die niet voldoende worden behandeld, of als u informatie in deze installatiehandleiding vindt die onjuist, misleidend of onvolledig is, dan stellen wij uw opmerkingen en suggesties zeer op prijs.

WARNING Belangrijke informatie! Het niet doorlezen van dit document kan leiden tot serieus letsel en/of schade aan het product.

WARNING Installatie mag alleen geschieden door een gecertificeerd persoon(NEN 1010)

WARNING De hoofdstroom van de memo moet aangesloten worden op een aparte groep met een 30mA aardlek en een 10 of 16A zekering

- Lees deze installatiehandleiding zorgvuldig en volledig door alvorens je het product installeert
- Volg elke installatiestap zorgvuldig op
- Gebruik gezond verstand bij de installatie van dit product
- Neem contact met ons op als je twijfelt over de installatie
- Bewaar deze handleiding voor eventueel later gebruik

EIGENSCHAPPEN EN ONDERDELEN

PRODUCTEIGENSCHAPPEN

Omschrijving	Metrisch	Imperiaal
<i>Model</i>		
Model	Yalp Memo	
Model nr.	YA3900	
Land van herkomst	Nederland	
<i>Transport</i>		
Pallet materiaal	Vurenhout	
Pallet A afmetingen (palen) (L x B x H)	1.2 x 0.8 x 1.4 m	3'11.2" x 2'7.5" x 4'7.1"
Pallet A gewicht	240 kg	530 lbs
Pallet B afmetingen (kunstgras e.d.) (L x B x H)	1.25 x 1.05 x 2.40 m	4'1.2" x 3'5.3" x 7'7.1"

Pallet B gewicht	290 kg	640 lbs
<i>Afmetingen</i>		
Afmetingen Memo geïnstalleerd (B x H)	8.0 x 1.1 m	26.25 x 3.6 ft
Veiligheidszone van Memo (Diameter)	9.7 m	31.82 ft
Afmetingen Memo paal	0.4 x 0.4 x 1.2 m	1.1 x 1.1 x 3.8 ft
<i>Gewicht</i>		
Netto gewicht Memo master paal	±25 kg	±55.1 lbs
Netto gewicht Memo basic paal	±20 kg	±44.1 lbs
<i>Energiegebruik</i>		
Aansluiting	100-240 V ~, 50/ 60 Hz, Max. 285W	
Uitgang	12 V DC	
<i>Energiegebruik</i>		
Vermogen in gebruik (gemiddeld)	51 W	
Vermogen in idle (standby)	46 W	
Vermogen in slaap	3 W	
<i>Aansluiting</i>		
Internet connectie	3G modem met data sim kaart	
<i>Veiligheid</i>		
IP klasse	IP54	
Operationele temperatuur	-20 to +40 °C	-4 to +104 °F
Opslag temperatuur	0-30 °C	32 to +86 °F
Operationele hoogte	<2000 m	<6562 ft

NORMEN

Normen

Internationaal

IEC 62368-1 (Electrische veiligheid)

Europa

NEN-EN 1176:2019

CE

EN-62368-1

USA

FCC

UL62368-1

Canada

EN

NL

DE

WARNING Repareer nooit een defect zonder Yalp te raadplegen.

WARNING Vervang nooit onderdelen voor niet-originele Yalp onderdelen. Het Yalp product is gekeurd als totaal product, waarbij zorgvuldig de onderdelen zijn uitgekozen om veiligheid en kwaliteit te waarborgen.

ONDERDELENLIJST

Nummer	Omschrijving	Aantal	Materiaal	Afwerking
160-200	Master paal met cable	1	-	-
160-010	Basic paal met cable	6	-	-
Floor	Memo vloer	4	Kunstgras	-
Lijm	Emmer en fles	1	2 K-PU	-
Lijm mixer	Mixer voor in de boor	1	-	-
Tape	Tape voor vloernaden (m)	40	-	-
Bit T40	Pintorx T40 bit	1	-	-
M10x30	Bout M10x30	28	FE360	Verzinkt
100-282	Sluitring D125A M10	56	SS304	-
100-274	Borgring DIN185 M10	28	FE360	Verzinkt
<i>Grondmontage</i>				
PVC buis	2,90 m / Ø32mm	6	PVC	-
PVC Glue	-	1	-	-
160-710	Master paal anker	1	FE360	Verzinkt
160-720	Basic paal anker	6	FE360	Verzinkt
<i>Spider frame montage</i>				
160-620	Spider frame ligger	12	FE360	Verzinkt
160-614	Spider frame hoek	6	FE360	Verzinkt
160-605	Spider frame basisplaat	6	FE360	Verzinkt
160-608	Spider frame masterplaat	1	FE360	Verzinkt
M8x40	Bolt	78	FE360	-
M8x80	Bolt	12	FE360	-
100-281	Washer M8	180	FE360	-
100-271	Nut M8	90	FE360	-

NIET BIJGELEVERD MATERIAAL

Omschrijving	Metrisch	Imperiaal
<i>Transport</i>		
Pallet wagen		

Installatie gereedschap

Moersleutel	24mm	15/16
Accu schroever	-	-
Platte schroevendraaier	-	-
Stanley mes	-	-
Meetlint	-	-
M8 tap	8 mm	5/16
Shovel	-	-
Kabel stripper	-	-
Water	50-100 L	13-26 gallons
Zand	Scherp, 0.06-2mm korrel	
Zand	Rond, 0.2-1mm korrel	
Bezem / veegmachine	-	-
Evenaar	-	-
Kruiskop schroevendraaier	-	-

Grondmontage

Sneldrogend beton (C20/C25 NEN -EN206-1/-8005)	900 kg	1985 lbs
--	--------	----------

Spider frame

Moersleutel	13mm	1/2
-------------	------	-----

Opbouw montage

Chemisch anker (4000N) bijv. Hilti HIT 170 met 8.8 anker M10 (in combinatie met > C20/25 beton)	24x	24x
C20/C25 beton)	-	-
Beton frees	-	-
Mantelbuis	20 m / Ø32mm	66ft / Ø 1.3"

A. VOORBEREIDING

A.1 Advies voor transport

WARNING Het niet treffen van de juiste voorzorgsmaatregelen kan ongelukken en/of schade tot gevolg hebben.

WARNING Volg bij het gebruik van zware apparatuur de veiligheidsinstructies van de fabrikant.

CAUTION Degenen die het product vervoeren dienen de vereiste bescherming en kleding te dragen.

- Controleer voor transport de doos en pallet op schade en/of losse onderdelen

- Het gebruik van (zware) apparatuur dient gedaan te worden door een daarvoor gecertificeerd persoon
- Transporteer het product altijd rechtop
- Gebruik voor transport altijd de meegeleverde pallet en transportmaterialen
- Extra uitrusting kan nodig zijn om het product veilig te vervoeren
- Zorg ervoor dat het gebruikte materiaal het gewicht en de grootte van het product aankan
- Pak het product zo dicht mogelijk bij de uiteindelijke installatieplaats pas uit

A.2 Afmetingen van een geïnstalleerde Memo

A.3 Afmetingen van een geïnstalleerde Memo

CAUTION Degenen die het product uitpakken dienen de vereiste bescherming en kleding dragen.

CAUTION Pak het product niet uit voordat deze op de uiteindelijke installatieplaats gearriveerd is om schade te voorkomen.

- Gebruik een vorkheftruck om de pallets te laden en te lossen
- Gebruik een kruiskopschroevendraaier (niet meegeleverd) om de houten kist te openen
- Pak het product uit in een droge omgeving
- Controleer het product tijdens het uitpakken op schade en ontbrekende onderdelen
- Controleer kabels op schade
- Hergebruik en recycle het verpakkingsmateriaal op de juiste manier

A.4 Zorg ervoor dat de afstand tussen de Memo en andere vaste objecten minimaal 1,5 meter (5ft) is.

A.5 Zorg dat de stroomkabel in de centrale (master) paal van de Memo binnenkomt en een over lengte van 1,5 meter heeft. Zorg dat deze diep genoeg ligt ingegraven, volgens de geldende

voorschriften. Sluit de stroom af alvorens de installatie te beginnen.

WARNING De stroomkabel naar het toestel dient te worden gezekerd op een aparte groep in de meterkast met een 30mA RCD, voorzien van een 10A of 16A zekering.

A.6 Bereid de grond voor, indien nodig:

- Zorg ervoor dat het oppervlak in alle richtingen waterpas is
- Bepaal het maaiveld (nul-niveau) van de ondergrond. Dit is het referentiepunt voor alle andere afmetingen
- Zorg voor voldoende drainage.

A.7 Kies het installatietype dat geschikt is voor het oppervlak waarop de Memopaal geïnstalleerd zal worden.

- Grondmontage (in bestaande grond): ga verder met deel B
- Spider frame (in bestaande grond, ondiep): ga verder met deel C
- Opbouwmontage (bovenop bestaand oppervlak): ga verder met deel D

WARNING Opbouw montage is alleen mogelijk als het oppervlakte bestaat uit ten minste 15cm goede kwaliteit beton.

B. GRONDMONTAGE

NOTICE Zorg ervoor dat alle voorbereidingen zijn getroffen zoals beschreven in hoofdstuk A.

B.1 Teken twee cirkels met de stroomkabel als middelpunt volgens de afmetingen op tekening.

B.2 Bepaal de positieve van de master paal en de basis palen.

B.3 Graaf de gaten en kabelgoten volgens de afmetingen op tekening.

B.4 Plaats het centrale anker volgens de afmetingen, zorg dat deze waterpas staat. Trek de kabel door het aangegeven gat.

B.5 Giet het beton in het centrale gat tot de aangegeven minimum hoogte, en wacht tot het is uitgehard. Zorg daarbij dat het anker niet verschuift.

B.6 Plaats ankers voor de basic palen. Let de PVC buizen tussen de masterpaal en elke basispaal.

Koppel en lijm de PVC delen indien nodig. Plaats de PVC buis in de kokers van de ankers volgens de afbeelding.

B.7 Controleer of het eerste basic paal anker in positie is volgens tekening, en de ankerplaat waterpas ligt. Giet beton bij het basic paal anker. Zorg daarbij dat het anker niet verschuift.

B.8 Herhaal stap B.7 voor de overige 5 basic paal ankers.

B.9 Vul de gaten rondom de goten en ankers met zand.

NOTICE Ga naar hoofdstuk E voor het vervolg. Aan het eind van hoofdstuk E wordt de vloer gelegd.

EN

NL

DE

C. SPIDER FRAME

NOTICE Make sure the necessary preparations have been made according to chapter A.

C.1 Teken twee cirkels met de stroomkabel als middelpunt volgens de afmetingen op tekening.

C.2 Graag de binnen cirkel uit volgens tekening.

C.3 Bouw alle onderdelen van het spider frame op volgens tekening. Monteer de liggers aan de centrale master ankerplaat en de hoek ankerplaten. Leid de stroomkabel door de centrale ankerplaat.

C.4 Monteer de eindpunten van de liggers aan elkaar, in het midden en in de hoeken.

C.5 Stel het spider frame op de juiste hoogte, en zorg dat deze recht ligt.

C.6 Vul de lege ruimtes in het spider frame op met zand, volgens de afbeelding.

NOTICE Ga naar hoofdstuk E voor het vervolg. Aan het eind van hoofdstuk E wordt de vloer gelegd.

D. OPBOUW MONTAGE

NOTICE Zorg ervoor dat alle voorbereidingen zijn getroffen zoals beschreven in hoofdstuk A.

WARNING Opbouw montage is alleen mogelijk als het oppervlakte bestaat uit ten minste 15cm goede kwaliteit beton.

D.1 Teken twee cirkels met de stroomkabel als middelpunt volgens de afmetingen op tekening.

D.2 Zorg dat er een uitsparing volgens de afmetingen komt in het beton.

D.3 Bepaal de positie van de master paal en de 6 omliggende basic palen.

D.4 Gebruik de betonfrees om een kabelgoot te snijden van masterpaal naar elke basic paal volgens tekening.

D.5 Lijn de 6 basic ankerplaten uit volgens de tekening.

D.6 Snijd de mantelbuis op maat. Leg de mantelbuizen in de kabelgoten en voer deze door de ankerplaten.

D.7 Lijn de centrale ankerplaat uit volgens tekening, en boor 6 gaten.

NOTICE Zorg dat de montagegaten tussen de kabelgoten komen te liggen.

D.8 Trek de stroomkabel door de ankerplaten. Monteer de centrale master grondplaat op het oppervlak met de chemische ankers volgens de daarbij horende instructie.

D.9 Controleer of de eerste basic ankerplaat goed in positie ligt volgens stappen D.3 en D.5, en dat deze waterpas ligt. Boor de 6 gaten voor de basic ankerplaat.

D.10 Monteer de eerste basic ankerplaat op het oppervlak met de chemische ankers volgens de daarbij horende instructie.

D.11 Herhaal stap D.9 en D.10 voor de overige basic ankerplaten. Repeat step D.9 and D.10 for the remaining basic post ground plates.

D.12 Vul de gaten op met beton en wacht tot het is uitgehard.

NOTICE Ga naar hoofdstuk E voor het vervolg. Aan het eind van hoofdstuk E wordt de vloer gelegd.

E. INSTALLATIE

CAUTION Het is aan te raden de installatie van dit product met ten minste twee personen uit te voeren.

CAUTION Degenen die dit product installeren dienen de juiste bescherming en kleding te dragen.

E.1 Overzicht van de positie van alle palen.

CAUTION Alle palen zijn gemarkeerd. De basic palen moeten in de juiste volgorde worden aangesloten op de centrale master paal, gebaseerd op hun positie in het veld zoals op tekening te zien is.

E.2 Leg de eerste basic paal (nr. 2) neer naast de corresponderende grondplaat. Voer de kabel door richting de centrale master paal.

WARNING Gevaar: ook al is de stroom nog niet aangesloten, het aanraken van de kabeladers kan leiden tot een elektrische schok. Indien nodig, dan alleen de gecoate delen van de kabels aanraken.

E.3 Zet de basic paal op de grondplaat. Zorg ervoor dat de schuine top van de paal naar het centrale punt van de Memo (de master paal) wijst. Voer de kabel verder door de buis tijdens het plaatsen. Monteer de paal vast op de grondplaat met bouten voorzien van borgmiddel (bijv. Loctite).

E.4 Herhaal stap E.2 en E.3 voor alle overige basic palen (3-7).

E.5 Plaats de master paal naast de centrale grondplaat. Schroef de voorkant open, leg de voorplaat even opzij.

E.6 Zorg dat de Master paal in de juiste richting is gepositioneerd.

E.7 Til de master paal boven de grondplaat en over de kabels door de bodem van de paal. Zet de paal op de grondplaat en monteer de paal vast op de grondplaat met bouten voorzien van borgmiddel (bijv. Loctite).

WARNING Gevaar: ook al is de stroom nog niet aangesloten, het aanraken van de kabeladers kan leiden tot een elektrische schok. Indien nodig, dan alleen de gecoate delen van de kabels aanraken.

E.8 Sluit de voedingskabel aan op in de Memo.

WARNING De elektrische installatie dient gedaan te worden door een gecertificeerd installateur volgens de regionale richtlijnen met betrekking tot het veilig installeren van elektrische apparaten (bijv. NEN 1010).

NOTICE Zorg dat de + en – kabels juist worden aangesloten!

E.9 Sluit de kabels van de basic paal aan op de computer in de master paal.

NOTICE Zorg dat alle basic palen worden aangesloten op de bijbehorende gelabelde connectoren van de computer.

E.10 Monteer de voorplaat van de master paal weer terug in positie.

E.11 Kalibreer de Memo:

- Schakel de stroom in, het groene lampje van de knop licht op

- Houdt de knop ingedrukt tot de eerste paal oplicht en haar ID nummer laat zien, laat dan de knop los.

- Alle palen laten hun ID nummer zien, dit kan een aantal minute duren.

NOTICE Een nieuwe kalibratie kan worden uitgevoerd na een 'power cycle' (stroom afschakelen en weer inschakelen).

NOTICE Voor instellingen, service en statistieken, bezoek dan My Yalp (my.yalp.com).

E.12 Zorg dat de ondergrond goed is voorbereid voor het plaatsen van de speelvloer:

- Vul alle gaten volgens de aangegeven afmetingen.
- Zorg voor een vlakke ondergrond.

E.13 Bewater de ondergrond om deze steviger te maken. Zo, dat je op de vloer kunt lopen zonder afdrucken achter te laten. Het is aan te raden de vloer goed vast te trillen.

E.14 Rol de 4 Memo vloerdelen uit. Snijd in volgens tekening.

E.15 Leg de Memo vloer delen op de ondergrond. Maak inkepingen op de plekken waar de Memo palen moeten komen.

E.17 Mix de twee-componenten lijm volgens voorschrift van de leverancier.

E.18 Snijd de lijmband op maat. Verdeel de lijm evenredig op de banden. Leg de lijmbanden aan op de aangegeven randen om de vloerdelen aan elkaar te lijmen.

E.19 Verdeel het vulzand over de Memo vloer. Werk het in de vloer met een bezem of veegmachine.
E.20 Ruim op en wacht tot de lijm is opgedroogd volgens de aangegeven instructie.

E.21 Start een spelletje, veel plezier met spelen!

EN

NL

DE

F. ONDERDELEN UITWISSELEN

WARNING Gevaar op elektrocutie! Het loskoppelen van kabels kan leiden tot elektrische schokken. Zorg bij het loskoppelen dat de hoofdvoeding is uitgeschakeld.

BASIC PAAL KOP

F.1 Sluit de stroom af.

F.2 Demonteer de speaker kappen.

F.3 Demonteer de kop en til hem omhoog. Maak de kabel los door te draaien en voorzichtig te trekken.

F.4 Demonteer het hoedje van de kop indien nodig: Verwijder de plastic inserts met een schroevendraaier en draai de bouten los om het hoedje te kunnen losmaken.

F.5 Installeer de nieuwe kop:

- Sluit de kabel aan op de kop (druk en draai) en monteer de kop terug op de paal.
- Monteer het hoedje op de kop. Sluit de gaten af met de plastic inserts.
- Sluit de stroom weer aan.
- Kalibreer de Memo volgens de stappen bij E.11

MASTER PAAL KOP

F.6 Sluit de stroom af.

F.7 Demonteer de voorplaat en zet hem opzij.

F.8 Demonteer de protectieplaat.

F.9 Demonteer de master kop en til hem omhoog. Maak de kabel los door te draaien en voorzichtig te trekken.

F.10 Demonteer het hoedje van de kop indien nodig: Verwijder de plastic inserts met een schroevendraaier en draai de bouten los om het hoedje te kunnen losmaken.

F.11 Installeer de nieuwe kop:

- Sluit de kabel aan op de kop (druk en draai) en monteer de kop terug op de paal.
- Monteer het hoedje op de kop. Sluit de gaten af met de plastic inserts.
- Monteer de protectieplaat.
- Monteer de voorplaat.
- Sluit de stroom weer aan.
- Kalibreer de Memo volgens de stappen bij E.11

COMPUTER

F.12 Sluit de stroom af.

F.13 Demonteer de voorplaat en zet hem opzij.

F.14 Demonteer de protectieplaat.

F.15 Maak alle kabels los van de computer.

F.16 Demonteer de computer.

F.17 Monteer de nieuwe computer:

- Plaats de nieuwe computer en monteer hem in positie
- Sluit alle kabels aan volgens stap F.15
- Monteer de protectieplaat.
- Monteer de voorplaat.
- Sluit de stroom weer aan.
- Kalibreer de Memo volgens de stappen bij E.11

SERVICE

ONDERSTEUNING

Voor vragen, opmerkingen of hulp kun je altijd contact opnemen met het hoofdkantoor van Yalp:

Yalp

Nieuwenkampsmaten 12
7472 DE Goor
Nederland
+31 (0) 547 289 410
support@yalp.com

Ga voor contactgegevens van Yalp-distributeurs of -kantoren naar Yalp.com of bekijk het overzicht van distributeurs op store.yalp.com.

HANDMATIGE HERSTART (POWER CYCLE)

- Sluit de stroom af
- Sluit de stroom weer aan
- Wacht 30 seconden
- Wacht tot het toestel is opgestart en online is gekomen (duur: ongeveer 5 minuten).

REINIGING EN ONDERHOUD

WARNING Volg de instructies in dit gedeelte nauw op wanneer onderhoud gepleegd wordt aan het product. Het niet opvolgen van deze instructies kan ernstig letsel of schade veroorzaken.

WARNING Zorg er altijd voor dat het product is uitgeschakeld voordat inspectie of onderhoud uitgevoerd wordt.

WARNING Gebruik bij het onderhoud van het product alleen identieke vervangende onderdelen. Het gebruik van niet-geautoriseerde onderdelen kan ernstig letsel of schade veroorzaken.

- Maak het product iedere 3 maanden schoon met milde zeep en een niet-krassende doek

- Het product moet regelmatig worden geïnspecteerd op beschadigde of ontbrekende onderdelen
- Als onderdelen beschadigd zijn of ontbreken, moet het product worden losgekoppeld en moeten de onderdelen worden gecorrigeerd, gerepareerd of vervangen om letsel te voorkomen
- Bij oppervlakte roest: schoonmaken, opschuren en met verf herstellen
- Draai elke 6 maanden de bouten vast om losse bouten te voorkomen

VLOER ONDERHOUD

- Borstel het kunstgras regelmatig met een harde bezem, hark, of borstelmaschine
- Houdt het Kunstgras vrij van afval, onkruid en bladeren
- Spoel vuil weg met water

VERWIJDERING

DEMONTAGE

WARNING Zorg ervoor dat het product is uitgeschakeld om elektrocutie te voorkomen.

WARNING De demontage dient gedaan te worden door een gecertificeerd installateur volgens de regionale richtlijnen met betrekking tot het veilig demonteren van elektrische apparaten (bijv. NEN 1010).

WARNING Bescherm de onderdelen na demontage en tijdens transport met daarvoor geschikte materialen.

NOTICE Als het product op een andere locatie opnieuw geïnstalleerd dient te worden, controleer dan alle gedemonteerde onderdelen om te zien of ze opnieuw gebruikt kunnen worden. Benodigde reserveonderdelen kunnen bijbesteld worden.

Neem voor hulp contact met ons op.

AFVOEREN

EN

NL

DE

Als je hulp nodig hebt bij het afvoeren van het product, neem dan contact met ons op en informeer naar onze diensten en mogelijke kosten.

RECYCLEN

Zorg er bij het weggooien voor dat alle onderdelen van het product verstandig en correct worden gerecycled. Om dit product te recyclen, kunt u contact met ons opnemen om het product terug

te sturen. Wij zullen het gebruikte product dan recyclen op een manier die voldoet aan onze duurzaamheidsrichtlijnen.

GARANTIE EN SERVICEVOORWAARDEN

Ga voor de documenten omtrent garantie en servicevoorwaarden op dit product, MyYalp, Content en Software naar store.yalp.com/downloads.

EN

NL

DE

HAFTUNGSAUSSCHLUSS

Diese Installationsanleitung dient nur zu Informationszwecken. Die darin beschriebenen Produkte können ohne vorherige Ankündigung geändert werden.

Diese Installationsanleitung enthält keine Informationen über alle möglichen Produktvarianten oder Zufälle, die bei der Installation, Verwendung oder Wartung des Produkts auftreten können.

Lappset Yalp B.V. (im Folgenden als "Yalp" bezeichnet) hat alle Anstrengungen unternommen, um die Richtigkeit dieser Installationsanleitung zu gewährleisten.

Yalp übernimmt keine Haftung für eventuelle Ungenauigkeiten oder Auslassungen in dieser Installationsanleitung.

Yalp gibt keine Zusicherungen oder Garantien in Bezug auf diese Installationsanleitung oder in Bezug auf die hierin beschriebenen Produkte.

Yalp haftet nicht für direkte, indirekte oder zufällige Schäden, Verluste, Kosten oder Ausgaben, die sich aus der Verwendung dieser Installationsanleitung oder der darin beschriebenen Produkte ergeben oder damit zusammenhängen.

Wenn weitere Informationen gewünscht werden, oder wenn Probleme auftreten, die nicht ausreichend behandelt werden, oder wenn Sie Informationen in dieser Installationsanleitung für falsch, irreführend oder unvollständig halten,

würden wir uns sehr über Ihre Kommentare und Vorschläge freuen.

WARNING Wichtige Information! Die Nichtbeachtung dieses Dokuments kann zu schweren Verletzungen und/oder Schäden am Produkt führen.

WARNING Lesen Sie diese Installationsanleitung sorgfältig und vollständig durch, bevor Sie das Produkt installieren

WARNING Das Gerät muss an eine separate Gruppe angeschlossen werden, mit einem Sicherungsautomaten 30 mA, 16 A

- Befolgen Sie jeden Installationsschritt sorgfältig
- Verwenden Sie bei der Installation dieses Produkts Ihren gesunden Menschenverstand
- Kontaktieren Sie uns, wenn Sie Zweifel an der Installation haben
- Bewahren Sie dieses Handbuch zum späteren Nachschlagen auf

WARNING Reparieren Sie niemals einen Defekt ohne Rücksprache mit Yalp.

WARNING Ersetzen Sie niemals Teile durch Nicht-Originalteile von Yalp. Das Yalp-Produkt wurde als Gesamtprodukt geprüft, wobei die Teile sorgfältig ausgewählt wurden, um Sicherheit und Qualität zu gewährleisten.

EIGENSCHAFTEN UND KOMPONENTEN

PRODUCTEIGENSCHAPPEN

Beschreibung	Metrisch	Imperial
<i>Model</i>		
Model	Yalp Memo	
Model nr.	YA3900	
Land von Herkunft	Niederlande	
<i>Transport</i>		
Palettenmaterial	Kiefernholz	

Pallet A Abmessungen (Pfosten) (L x B x H)	1.2 x 0.8 x 1.4 m	3'11.2" x 2'7.5" x 4'7.1"
Pallet A Gewicht	240 kg	530 lbs
Pallet B Abmessung (Kunstrasen e.d.) (L x B x H)	1.25 x 1.05 x 2.40 m	4'1.2" x 3'5.3" x 7'7.1"
Pallet B Gewicht	290 kg	640 lbs
<i>Abmessungen</i>		
Abmessungen Memo installiert (B x H)	8.0 x 1.1 m	26.25 x 3.6 ft
Sicherheitszone von Memo (Diameter)	9.7 m	31.82 ft
Abmessungen Memo Pfosten	0.4 x 0.4 x 1.2 m	1.1 x 1.1 x 3.8 ft
<i>Gewicht</i>		
Netto Gewicht Memo Hauptsäule	±25 kg	±55.1 lbs
Netto Gewicht Memo Basispfosten	±20 kg	±44.1 lbs
<i>Energieverbrauch</i>		
Anschluss	100-240 V ~. 50/ 60 Hz. Max. 285W	
Output	12 V DC	
<i>Energieverbrauch</i>		
Verbrauch im Einsatz (Durchschnitt)	51 W	
Verbrauch (standby)	46 W	
Verbrauch in Schlafmodus	3 W	
<i>Anschluss</i>		
Internetverbindung	3G modem mit Data sim kaart	
<i>Sicherheit</i>		
IP klasse	IP54	
Temperatur im Betrieb	-20 to +40 °C	-4 to +104 °F
Lagertemperatur	0-30 °C	32 to +86 °F
Betriebs-Höhe	<2000 m	<6562 ft

NORMEN

Normierung

International

IEC 62368-1 (Elektrotechnische Sicherheit)

Europa

NEN-EN 1176:2019

CE

EN-62368-1

USA
FCC
UL62368-1
Canada
CAN ICES-003
CSA C22.2 62368-1

STÜCKLISTE

Nummer	Umschreibung	Anzahl	Material	Endbearbeitung
160-200	Hauptpfosten mit Kabel	1	-	-
160-010	Basispfosten mit Kabel	6	-	-
Floor	Memo Boden	4	Kunstrasen	-
Lijm	Eimer und Flasche	1	2 K-PU	-
Leimmischer	Mischer für in der Bohrmaschine	1	-	-
Klebeband	Nahtband (m)	40	-	-
Bit T40	Pintorx T40 bit	1	-	-
M10x30	Bolz M10x30	28	FE360	Galvanisiert
100-282	Unterlegscheibe D125A M10	56	SS304	-
100-274	Borgring DIN185 M10	28	FE360	Galvanisiert
<i>Bodenmontage</i>				
PVC buis	2,90 m / Ø32mm	6	PVC	-
PVC Glue	-	1	-	-
160-710	Anker Hauptpfosten	1	FE360	Galvanisiert
160-720	Basic paal Anker	6	FE360	Galvanisiert
<i>Spider frame montage</i>				
160-620	Spider frame Träger	12	FE360	Galvanisiert
160-614	Spider frame Ecke	6	FE360	Galvanisiert
160-605	Spider frame Basisplatte	6	FE360	Galvanisiert
160-608	Spider frame Haupplatteplat	1	FE360	Galvanisiert
M8x40	Bolz	78	FE360	-
M8x80	Bolz	12	FE360	-
100-281	Unterlegscheibe M8	180	FE360	-
100-271	Mutter M8	90	FE360	-

EN

NL

DE

Beschreibung	Metrisch	Imperial
<i>Transport</i>		
Pallethubwagen		
<i>Installationswerkzeuge</i>		
Gabelschlüssel	24mm	15/16
Batterie-Schraubendreher	-	-
Flachschraubendreher	-	-
Stanley-Messer	-	-
Bandmaß	-	-
M8 Bolzen	8 mm	5/16
Schaufel	-	-
Kabelabisolierer	-	-
Wasser	50-100 L	13-26 Gallonen
Sand	0.06-2mm korrel	
Sand	0.2-1mm korrel	
Besen / Kehrmachine	-	-
Äquator	-	-
Kreuzschlitzschraubendreher	-	-
<i>Bodenmontage</i>		
Schnell trocknender Beton (C20/C25 NEN -EN206-1/-8005)	900 kg	1985 lbs
<i>Spinne Rahmen</i>		
Schraubenschlüssel	13mm	1/2
<i>Aufbaumontage</i>		
Chemischer Anker (4000N) z.B. Hilti HIT 170 mit 8.8 Anker M10 (in Kombination mit > C20/25 Beton)	24x	24x
C20/C25-Beton	-	-
Betonfräse	-	-
Betonrohr	20 m / Ø32mm	66ft / Ø 1.3"

A. VORBEREITUNG

A.1 Hinweise zum Transport

WARNING Die Nichtbeachtung der entsprechenden Vorsichtsmaßnahmen kann zu Unfällen und/oder Schäden führen.

WARNING Beachten Sie bei der Verwendung von schwerem Gerät die Sicherheitshinweise des Herstellers.

CAUTION Diejenigen, die das Produkt transportieren, sollten die erforderliche Schutzausrüstung und Kleidung tragen.

- Überprüfen Sie vor dem Transport den Karton und die Palette auf Beschädigungen und/oder lose Teile.

- Die Verwendung von (schweren) Geräten sollte von einer zertifizierten Person durchgeführt werden
- Transportieren Sie das Produkt immer in aufrechter Position
- Verwenden Sie für den Transport immer die mitgelieferte Palette und das Transportmaterial
- Für den sicheren Transport des Produkts kann zusätzliche Ausrüstung erforderlich sein.
- Stellen Sie sicher, dass das verwendete Material dem Gewicht und der Größe des Produkts gewachsen ist
- Packen Sie das Produkt so nah wie möglich am endgültigen Installationsort aus

A.2 Abmessungen eines installierten Memos

A.3 Abmessungen eines installierten Memos

CAUTION Personen, die das Produkt auspacken, müssen die erforderliche Schutzausrüstung und Kleidung tragen.

CAUTION Packen Sie das Produkt erst aus, wenn es am endgültigen Installationsort angekommen ist, um Beschädigungen zu vermeiden.

- Verwenden Sie einen Gabelstapler zum Be- und Entladen der Paletten
- Verwenden Sie einen Kreuzschlitzschraubendreher (nicht im Lieferumfang enthalten), um den Holzkasten zu öffnen
- Packen Sie das Produkt in einer trockenen Umgebung aus
- Überprüfen Sie das Produkt beim Auspacken auf Schäden und fehlende Teile
- Kabel auf Beschädigung prüfen

- Wiederverwendung und Recycling des Verpackungsmaterials auf die richtige Weise

A.4 Vergewissern Sie sich, dass der Abstand zwischen dem Memo und anderen festen Gegenständen mindestens 1,5 Meter (5ft) beträgt.

A.5 Vergewissern Sie sich, dass das Netzkabel in den mittleren (Haupt-)Pol des Memo eintritt und eine Überlänge von 1,5 Metern hat. Vergewissern Sie sich, dass er entsprechend den geltenden Vorschriften tief genug vergraben ist. Schalten Sie die Stromversorgung aus, bevor Sie mit der Installation beginnen.

WARNING Das Stromkabel zum Gerät sollte in einer separaten Gruppe im Zählerkasten mit einem 30mA-RCD abgesichert werden, der mit einer 10A- oder 16A-Sicherung versehen ist.

A.6 Bereiten Sie den Boden vor, falls erforderlich:

- Stellen Sie sicher, dass die Oberfläche in alle Richtungen eben ist
- Bestimmen Sie die Bodenhöhe (Nullniveau) des Untergrunds. Dies ist der Bezugspunkt für alle anderen Abmessungen
- Sorgen Sie für eine ausreichende Entwässerung.

A.7 Wählen Sie die Installationsart, die für die Oberfläche geeignet ist, auf der der Memo-Pol installiert werden soll.

- Bodenmontage (im vorhandenen Boden): weiter mit Teil B
- Spinnenrahmen (im vorhandenen Boden, flach): weiter mit Teil C
- Aufbaumontage (auf vorhandener Oberfläche): weiter zu Teil D

WARNING Eine Aufputzmontage ist nur möglich, wenn der Untergrund aus mindestens 15 cm Beton guter Qualität besteht.

B. BODENMONTAGE

NOTICE Stellen Sie sicher, dass alle Vorbereitungen wie in Abschnitt A beschrieben getroffen werden.

B.1 Zeichnen Sie zwei Kreise mit dem Netzkabel als Mittelpunkt entsprechend den Abmessungen auf der Zeichnung.

B.2 Bestimmen Sie das Plus des Masterpols und der Basispole.

B.3 Graben Sie die Löcher und Kabelkanäle gemäß den Abmessungen auf der Zeichnung.

B.4 Platzieren Sie den Zentralanker gemäß den Abmessungen und achten Sie darauf, dass er eben

ist. Ziehen Sie das Kabel durch das angegebene Loch.

B.5 Gießen Sie den Beton in das zentrale Loch bis zur angegebenen Mindesthöhe und warten Sie, bis er ausgehärtet ist. Achten Sie darauf, den Anker nicht zu bewegen.

B.6 Setzen Sie die Anker für die Grundmasten. Legen Sie die PVC-Rohre zwischen den Masterpol und jeden Basispol. Koppeln und verkleben Sie die PVC-Teile, falls erforderlich. Legen Sie das PVC-Rohr entsprechend der Abbildung in die Hülsen der Dübel.

B.7 Prüfen Sie, ob der erste Grundpfostenanker gemäß der Zeichnung in Position ist und die Ankerplatte eben ist. Gießen Sie Beton am Grundpfostenanker. Stellen Sie sicher, dass sich der Anker nicht bewegt.

B.8 Wiederholen Sie Schritt B.7 für die anderen 5 Grundpfostenanker.

B.9 Füllen Sie die Löcher um die Kanäle und Anker mit Sand.

NOTICE Gehen Sie zu Kapitel E für die Fortsetzung. Am Ende von Kapitel E wird der Boden verlegt.

C. SPINNE RAHMEN

NOTICE Stellen Sie sicher, dass die notwendigen Vorbereitungen gemäß Kapitel A getroffen wurden.

C.1 Zeichnen Sie zwei Kreise mit dem Netzkabel als Mittelpunkt entsprechend den Abmessungen auf der Zeichnung.

C.2 Erweitern Sie den inneren Kreis gemäß der Zeichnung.

C.3 Montieren Sie alle Teile des Zahnkranzes gemäß der Zeichnung. Montieren Sie die Träger an der mittleren Hauptankerplatte und den Eckankerplatten. Führen Sie das Netzkabel durch die zentrale Ankerplatte.

C.4 Verbinden Sie die Endpunkte der Balken, in der Mitte und in den Ecken.

C.5 Stellen Sie den Zahnkranzrahmen auf die richtige Höhe ein und achten Sie darauf, dass er gerade liegt.

C.6 Füllen Sie die leeren Stellen im Spinnenrahmen mit Sand, wie gezeigt.

NOTICE Gehen Sie zu Kapitel E für die Fortsetzung. Am Ende von Kapitel E wird der Boden verlegt.

D. AUFBAUMONTAGE

NOTICE Stellen Sie sicher, dass alle Vorbereitungen wie in Kapitel A beschrieben getroffen sind.

WARNING Eine Aufputzmontage ist nur möglich, wenn der Untergrund aus mindestens 15 cm Beton guter Qualität besteht.

D.1 Zeichnen Sie zwei Kreise mit dem Netzkabel als Mittelpunkt gemäß den Abmessungen auf der Zeichnung.

D.2 Machen Sie einen Ausschnitt im Beton gemäß den Abmessungen.

D.3 Bestimmen Sie die Position des Masterpols und der 6 umgebenden Basispole.

D.4 Verwenden Sie den Betonschneider, um einen Kabelkanal vom Hauptmast zu jedem Grundmast gemäß der Zeichnung zu schneiden.

D.5 Richten Sie die 6 Grundankerplatten gemäß der Zeichnung aus.

D.6 Schneiden Sie das Kabelrohr zu. Legen Sie das Kabelrohr in die Kabelkanäle und führen Sie es durch die Ankerplatten.

D.7 Richten Sie die zentrale Ankerplatte gemäß der Zeichnung aus, und bohren Sie 6 Löcher.

NOTICE Achten Sie darauf, dass die Montagebohrungen zwischen den Kabelkanälen liegen.

D.8 Ziehen Sie das Netzkabel durch die Ankerplatten. Montieren Sie die zentrale Master-Grundplatte mit den Chemieankern gemäß der entsprechenden Anleitung auf dem Untergrund.

D.9 Vergewissern Sie sich, dass die erste Grundankerplatte gemäß den Schritten D.3 und D.5

in Position ist und dass sie eben ist. Bohren Sie die 6 Löcher für die Grundankerplatte.

D.10 Befestigen Sie die erste Grundankerplatte mit den chemischen Dübeln gemäß den entsprechenden Anweisungen an der Oberfläche.

D.11 Wiederholen Sie die Schritte D.9 und D.10 für die anderen Grundankerplatten. Wiederholen Sie

Schritt D.9 und D.10 für die übrigen Grundpfosten-Erdplatten.

D.12 Füllen Sie die Löcher mit Beton und warten Sie, bis er ausgehärtet ist.

NOTICE Gehen Sie zu Kapitel E für die Fortsetzung. Am Ende von Kapitel E wird der Boden verlegt.

E. INSTALLATION

CAUTION Es wird empfohlen, dass mindestens zwei Personen die Installation dieses Produkts durchführen.

CAUTION Diejenigen, die dieses Produkt installieren, sollten angemessene Schutzkleidung tragen.

E.1 Übersicht über die Position aller Pole.

CAUTION Alle Stellen sind markiert. Die Basispole müssen in der richtigen Reihenfolge an den zentralen Hauptpol angeschlossen werden, basierend auf ihrer Position im Feld wie in der Zeichnung dargestellt.

E.2 Setzen Sie den ersten Grundpfosten (Nr. 2) neben die entsprechende Grundplatte. Führen Sie das Kabel zum zentralen Hauptpol durch.

CAUTION Gefahr: Auch wenn der Strom noch nicht angeschlossen ist, kann das Berühren der Kabeladern zu einem Stromschlag führen. Berühren Sie bei Bedarf nur die beschichteten Teile der Kabel.

E.3 Setzen Sie den Grundpol auf die Grundplatte. Achten Sie darauf, dass die abgeschrägte Spitze des Pols auf den zentralen Punkt des Memo (den Masterpol) zeigt. Führen Sie das Kabel während der Installation weiter durch das Rohr. Sichern Sie den Mast mit Schrauben mit Sicherungsmasse (z. B. Loctite) an der Grundplatte.

E.4 Wiederholen Sie die Schritte E.2 und E.3 für alle anderen Basispole (3-7).

E.5 Setzen Sie den Masterpol neben die zentrale Grundplatte. Schrauben Sie die Front ab, legen Sie die Frontplatte einen Moment zur Seite.

E.6 Vergewissern Sie sich, dass der Hauptpol in der richtigen Richtung positioniert ist.

E.7 Heben Sie den Hauptmast über die Grundplatte und über die Kabel durch die Unterseite des Mastes. Setzen Sie den Mast auf die Grundplatte und befestigen Sie den Mast mit Schrauben, die

mit Sicherungsmasse (z. B. Loctite) versehen sind, an der Grundplatte.

WARNING Gefahr: Auch wenn der Strom noch nicht angeschlossen ist, kann das Berühren der Kabeladern zu einem Stromschlag führen. Berühren Sie bei Bedarf nur die beschichteten Teile der Kabel.

E.8 Schließen Sie das Netzkabel an in der Memo.

WARNING Die Elektroinstallation muss von einem zertifizierten Installateur gemäß den regionalen Richtlinien zur sicheren Installation von Elektrogeräten (z. B. NEN 1010) durchgeführt werden.

NOTICE Stellen Sie sicher, dass die + und - Kabel richtig angeschlossen sind!

E.9 Schließen Sie die Kabel vom Basispol an den Computer im Masterpol an.

NOTICE Stellen Sie sicher, dass alle Grundpfosten mit den entsprechend beschrifteten Anschlüssen am Computer verbunden sind.

E.10 Montieren Sie die Frontplatte des Hauptpols wieder in ihre Position.

E.11 Kalibrieren Sie das Memo:

- Schalten Sie den Strom ein, das grüne Licht auf der Taste leuchtet.
- Halten Sie die Taste gedrückt, bis der erste Pfosten aufleuchtet und seine ID-Nummer anzeigt, und lassen Sie dann die Taste los.
- Alle Masten zeigen ihre ID-Nummer an, dies kann einige Minuten dauern.

NOTICE Nach einem Stromausfall kann eine neue Kalibrierung durchgeführt werden.

NOTICE Für Einstellungen, Service und Statistiken besuchen Sie bitte My Yalp (my.yalp.com).

EN

NL

DE

E.12 Stellen Sie sicher, dass der Untergrund vor dem Verlegen des Spielbodens ordnungsgemäß vorbereitet ist:

- Füllen Sie alle Löcher entsprechend den angegebenen Abmessungen.
- Stellen Sie sicher, dass die Oberfläche eben ist.

E.13 Bewässern Sie die Oberfläche, um sie fester zu machen. Damit Sie auf dem Boden laufen können, ohne Abdrücke zu hinterlassen. Es ist ratsam, den Boden gut zu vibrieren.

E.14 Rollen Sie die 4 Memo-Bodenplatten aus. Schneiden Sie nach der Zeichnung.

E.15 Verlegen Sie die Memo-Bodenprofile auf dem Unterboden. Machen Sie Einkerbungen an

den Stellen, an denen die Memo-Stangen platziert werden sollen.

E.17 Mischen Sie den Zweikomponentenkleber gemäß den Anweisungen des Lieferanten.

E.18 Schneiden Sie das Klebeband zu. Verteilen Sie den Klebstoff gleichmäßig auf den Streifen. Bringen Sie die Klebebänder an den angegebenen Kanten an, um die Bodendielen miteinander zu verkleben.

E.19 Verteilen Sie den Füllsand auf dem Memo-Boden. Arbeiten Sie es mit einem Besen oder einer Kehrmaschine in den Boden ein. E.20 Reinigen Sie und warten Sie, bis der Kleber gemäß den Anweisungen getrocknet ist.

E.21 Starten Sie ein Spiel und haben Sie Spaß dabei!

F. AUSTAUSCHEN VON TEILEN

WARNING Gefahr eines Stromschlages! Das Trennen von Kabeln kann zu einem elektrischen Schlag führen. Vergewissern Sie sich beim Trennen der Verbindung, dass die Hauptstromversorgung ausgeschaltet ist.

BASIS-POLKOPF

F.1 Unterbrechen Sie die Spannungsversorgung.

F.2 Entfernen Sie die Lautsprecherabdeckungen.

F.3 Demontieren Sie den Kopf und heben Sie ihn an. Trennen Sie das Kabel durch leichtes Drehen und Ziehen.

F.4 Demontieren Sie die Kopfabdeckung, falls erforderlich: Entfernen Sie die Kunststoffeinsätze mit einem Schraubendreher und lösen Sie die Schrauben, um die Kappe zu lösen.

F.5 Installieren Sie den neuen Kopf:

- Schließen Sie das Kabel an den Kopf an (drücken und drehen) und montieren Sie den Kopf wieder am Mast.

- Montieren Sie die Kappe auf den Kopf. Verschließen Sie die Löcher mit den Kunststoffeinsätzen.

- Schalten Sie die Stromversorgung wieder ein.

- Kalibrieren Sie das Memo gemäß den Schritten in E.11.

MASTER-POLKOPF

F.6 Unterbrechen Sie die Stromzufuhr.

F.7 Demontieren Sie die Frontplatte und legen Sie sie beiseite.

F.8 Demontieren Sie die Schutzplatte.

F.9 Demontieren Sie den Hauptpolkopf und heben Sie ihn an. Trennen Sie das Kabel durch leichtes Drehen und Ziehen.

F.10 Demontieren Sie die Kopfkappe, falls erforderlich: Entfernen Sie die Kunststoffeinsätze mit einem Schraubendreher und lösen Sie die Schrauben, um die Kappe zu lösen.

F.11 Installieren Sie den neuen Kopf:

- Schließen Sie das Kabel an den Kopf an (drücken und drehen) und montieren Sie den Kopf wieder am Mast.

EN

NL

DE

- Setzen Sie den Hut auf den Kopf. Verschließen Sie die Löcher mit den Kunststoffeinsätzen.
- Montieren Sie das Schutzblech.
- Montieren Sie die Frontplatte.

- Schalten Sie die Stromversorgung wieder ein.
- Kalibrieren Sie das Memo gemäß den Schritten in E.11.

COMPUTER

F.12 Trennen Sie das Gerät von der Stromversorgung.

F.13 Demontieren Sie die Frontplatte und legen Sie sie beiseite.

F.14 Demontieren Sie die Schutzplatte.

F.15 Trennen Sie alle Kabel vom Computer.

F.16 Demontieren Sie den Computer.

F.17 Montieren Sie den neuen Computer:

- Positionieren Sie den neuen Computer und montieren Sie ihn in seiner Position.
- Schließen Sie alle Kabel gemäß Schritt F.15 an
- Montieren Sie das Schutzblech.
- Montieren Sie die Frontplatte.
- Schalten Sie die Stromversorgung wieder ein.
- Kalibrieren Sie das Memo gemäß den Schritten unter E.11.

SERVICE

UNTERSTÜTZUNG

Für Fragen, Anmerkungen oder Hilfe können Sie sich jederzeit an die Yalp-Zentrale wenden:

Yalp

Nieuwenkampsmaten 12
7472 DE Goor
Die Niederlande
+31 (0) 547 289 410
support@yalp.com

Die Kontaktdaten der Yalp Distributoren oder Niederlassungen finden Sie auf Yalp.com oder in der Liste der Distributoren unter store.yalp.com.

MANUELLER NEUSTART (POWER CYCLE)

- Schalten Sie das Gerät aus
- 30 Sekunden warten
- Schalten Sie den Strom wieder ein
- Warten Sie, bis das Gerät hochgefahren und online ist (Dauer: ca. 5 Minuten).

REINIGUNG UND WARTUNG

WARNING Befolgen Sie bei der Wartung des Produkts genau die Anweisungen in diesem Abschnitt. Die Nichtbeachtung dieser Anweisungen kann zu schweren Verletzungen oder Schäden führen.

WARNING Stellen Sie immer sicher, dass das Produkt ausgeschaltet ist, bevor Sie Inspektionen oder Wartungsarbeiten durchführen.

WARNING Verwenden Sie bei der Wartung des Produkts nur identische Ersatzteile. Die Verwendung von nicht autorisierten Teilen kann zu schweren Verletzungen oder Schäden führen.

WARNING Reinigen Sie das Produkt alle 3 Monate mit milder Seife und einem nicht kratzenden Tuch

- Das Produkt sollte regelmäßig auf beschädigte oder fehlende Teile überprüft werden.
- Wenn Teile beschädigt sind oder fehlen, trennen Sie das Produkt vom Netz und korrigieren, reparieren oder ersetzen Sie die Teile, um Verletzungen zu vermeiden
- Bei Flugrost: reinigen, abschleifen und neu lackieren

EN

NL

DE

- Ziehen Sie die Schrauben alle 6 Monate nach, um lose Schrauben zu vermeiden

BODENPFLEGE

- Bürsten Sie den Kunstrasen regelmäßig mit einem harten Besen, einer Harke oder einer Bürstenmaschine
- Halten Sie den Kunstrasen frei von Ablagerungen, Unkraut und Laub
- Schmutz mit Wasser wegspülen

UMZUG

DEMONTAGE

WARNING Stellen Sie sicher, dass das Produkt ausgeschaltet ist, um einen Stromschlag zu vermeiden.

WARNING Die Demontage sollte von einem zertifizierten Installateur gemäß den regionalen Richtlinien zur sicheren Demontage von elektrischen Geräten (z. B. NEN 1010) durchgeführt werden.

WARNING Schützen Sie die Teile nach der Demontage und beim Transport mit geeigneten Materialien.

NOTICE Wenn das Produkt an einem anderen Ort wieder eingebaut werden soll, prüfen Sie alle demontierten Teile auf ihre Wiederverwendbarkeit. Erforderliche Ersatzteile können separat bestellt werden.

Bitte kontaktieren Sie uns für Unterstützung.

ENTSORGUNG

Wenn Sie Unterstützung bei der Entsorgung des Produkts benötigen, nehmen Sie bitte Kontakt

mit uns auf und erkundigen Sie sich nach unseren Leistungen und möglichen Kosten.

RECYCLING

Achten Sie bei der Entsorgung darauf, dass alle Teile des Produkts einer sinnvollen und ordnungsgemäßen Wiederverwertung zugeführt werden. Um dieses Produkt zu

recyclen, kontaktieren Sie uns bitte, um das Produkt zurückzusenden. Wir recyceln dann das gebrauchte Produkt in einer Weise, die unseren Nachhaltigkeitsrichtlinien entspricht.

GEWÄHRLEISTUNGS- UND SERVICEBEDINGUNGEN

Dokumente zur Gewährleistung und zu den Nutzungsbedingungen für dieses Produkt, MyYalp, Inhalte und Software finden Sie unter store.yalp.com/downloads.

EN

NL

DE

EN

NL

DE



Made in the Netherlands

YA3900-210727